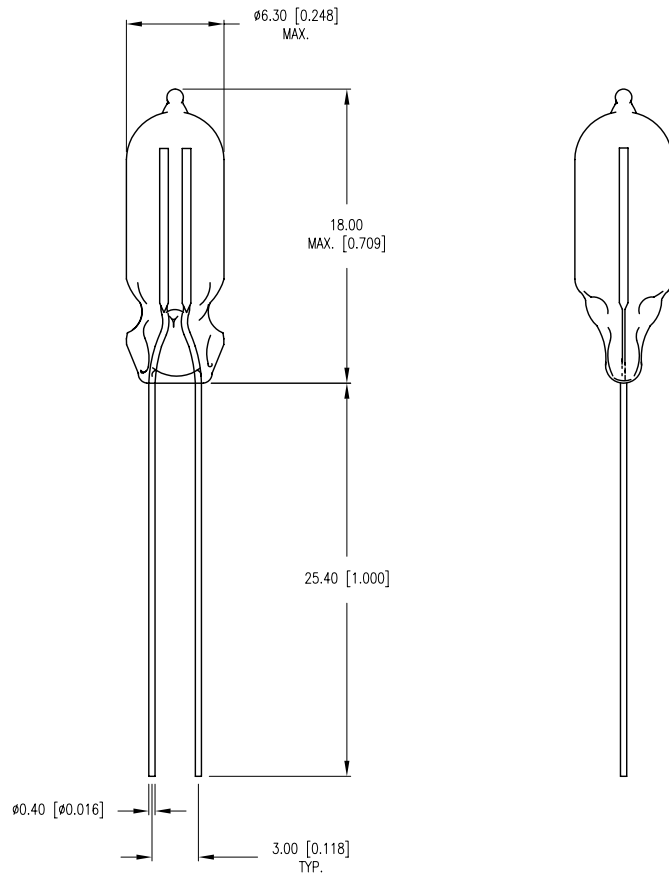


|             |                                     |      |      |
|-------------|-------------------------------------|------|------|
| PART NUMBER | GT-NG6H1825T                        | REV. | A    |
| DATE        | E.C.N. NUMBER AND REVISION COMMENTS |      | REV. |
| 01.09.12    | E.C.N. #10BRDR. & REDRAWN.          |      | A    |



ELECTRO-OPTICAL CHARACTERISTICS

| PARAMETER            | MIN   | TYP    | MAX | UNITS |
|----------------------|-------|--------|-----|-------|
| OPERATING VOLTAGE    | 90    |        | 115 | V     |
| STARTING VOLTAGE(AC) |       |        | 85  | V     |
| (DC)                 |       |        | 125 | V     |
| OPERATING CURRENT:   |       | 1.1    |     | mA    |
| LIGHT OUTPUT         |       | 111    |     | mlm   |
| LIFE HOURS           |       | 10,000 |     | HOURS |
| EMITTED COLOR:       | GREEN |        |     |       |

NOTES:

- EXTERNAL RESISTOR VALUE: 47K.

\*UNLESS OTHERWISE SPECIFIED TOLERANCES PER DECIMAL PRECISION ARE: X=±1 (±0.039), X.X=±0.5 (±0.020), X.XX=±0.25 (±0.010), X.XXX=±0.127 (±0.005). LEAD SIZE=±0.05 (±0.002), LEAD LENGTH=±0.75 (±0.030). MIN.= <sup>+DECIMAL PRECISION</sup> -0.00 MAX.= <sup>+0.00</sup> -DECIMAL PRECISION

UNCONTROLLED DOCUMENT



290 E. HELEN ROAD  
PALATINE, IL 60067-6976  
PHONE: +1.847.359.2790  
FAX: +1.847.359.6538  
WEB: WWW.LUMEX.COM

6mm x 19mm NEON LAMP, GREEN, HIGH BRIGHTNESS.

\*\*THE SPECIFICATIONS MAY CHANGE AT ANY TIME WITHOUT NOTICE DUE TO NEW MATERIALS OR PRODUCT IMPROVEMENT.\*\*

CONFIDENTIAL INFORMATION  
THE INFORMATION CONTAINED IN THIS DOCUMENT IS THE PROPERTY OF LUMEX INC. EXCEPT AS SPECIFICALLY AUTHORIZED IN WRITING BY LUMEX INC., THE HOLDER OF THIS DOCUMENT SHALL KEEP ALL INFORMATION CONTAINED HEREIN CONFIDENTIAL AND SHALL PROTECT SAME IN WHOLE OR IN PART FROM DISCLOSURE AND DISSEMINATION TO ALL THIRD PARTIES.

|        |           |           |    |
|--------|-----------|-----------|----|
| DATE:  | 01.09.12  | DRAWN BY: | AB |
| PAGE:  | 1 OF 1    | CHKD BY:  | SS |
| SCALE: | NTS       | APRVD BY: | JD |
| UNIT:  | mm [INCH] |           | Ⓟ  |

# AMEYA360

## Components Supply Platform

Authorized Distribution Brand :



Website :

Welcome to visit [www.ameya360.com](http://www.ameya360.com)

Contact Us :

➤ Address :

401 Building No.5, JiuGe Business Center, Lane 2301, Yishan Rd  
Minhang District, Shanghai , China

➤ Sales :

Direct +86 (21) 6401-6692

Email [amall@ameya360.com](mailto:amall@ameya360.com)

QQ 800077892

Skype [ameyasales1](#) [ameyasales2](#)

➤ Customer Service :

Email [service@ameya360.com](mailto:service@ameya360.com)

➤ Partnership :

Tel +86 (21) 64016692-8333

Email [mkt@ameya360.com](mailto:mkt@ameya360.com)