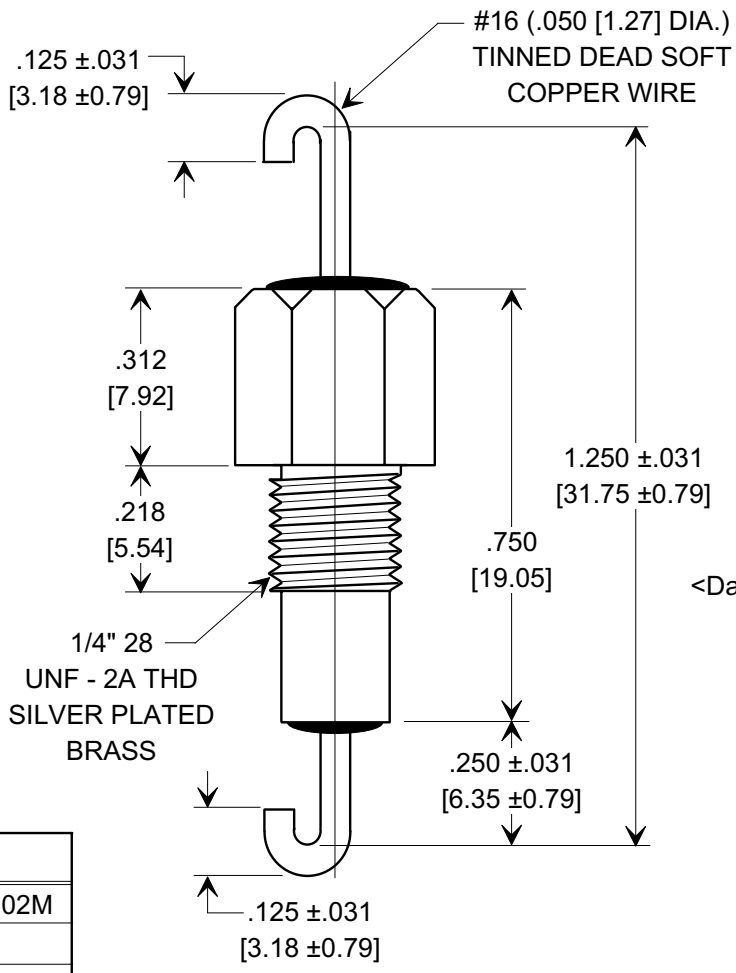
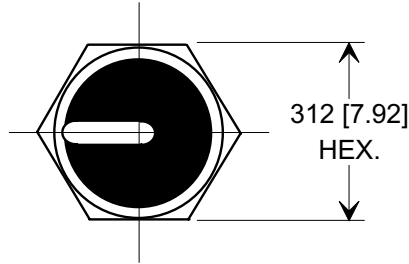
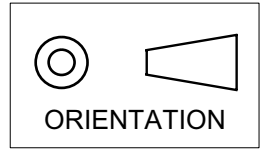
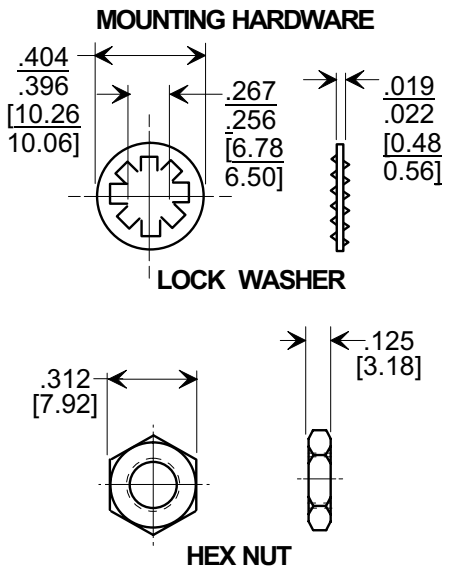


**MARKETING SALES DRAWING**  
**DIMENSIONS IN INCHES - DO NOT SCALE THIS DRAWING**  
**DIMENSIONS IN METRIC - [ ]**

Electrical Testing  
per Tusonix standard  
test plans and Mil-Std-202  
Test Methods.



STAMP:  
T  
CK70AW  
102M  
<Date Code: WWYY>



SPECIFICATIONS	
PART NUMBER	327-042-X5U0-102M
CAPACITANCE	1000 pF
CAP. TOL.	±20 %
TEMP. COEF.	X5U
WORKING VOLTAGE	500 VDC @ 85°
TEMP. RANGE	-55 TO +85°C

- NOTES:
1. LOCK WASHER AND HEX NUT ARE SILVER PLATED.
  2. MIL PART NUMBER: CK70AW102M.

X-2015 Rev-0 <b>REVISION RECORD</b> Original Release C.O. <b>19990914-1-01</b> CORRECT DIM. LINE 1.250 & ADDED METRIC. S.M. 08-03-00 <b>20000803-3-04</b> <b>1</b>	<b>--TOLERANCES--</b> Unless Otherwise Specified		Title <h2 align="center">FEED-THRU CAPACITOR</h2>	
	DECIMAL ± .015		Drawn S.M. 09-14-99 Scale 3 X	
	ANGLES ±		Approved J.Mc. 09-14-99	
	<b>TUSONIX</b> TUCSON, ARIZONA		<b>A</b> 327-042-X5U0-102M	

# AMEYA360

## Components Supply Platform

Authorized Distribution Brand :



Website :

Welcome to visit [www.ameya360.com](http://www.ameya360.com)

Contact Us :

➤ Address :

401 Building No.5, JiuGe Business Center, Lane 2301, Yishan Rd  
Minhang District, Shanghai , China

➤ Sales :

Direct +86 (21) 6401-6692

Email [amall@ameya360.com](mailto:amall@ameya360.com)

QQ 800077892

Skype [ameyasales1](#) [ameyasales2](#)

➤ Customer Service :

Email [service@ameya360.com](mailto:service@ameya360.com)

➤ Partnership :

Tel +86 (21) 64016692-8333

Email [mkt@ameya360.com](mailto:mkt@ameya360.com)