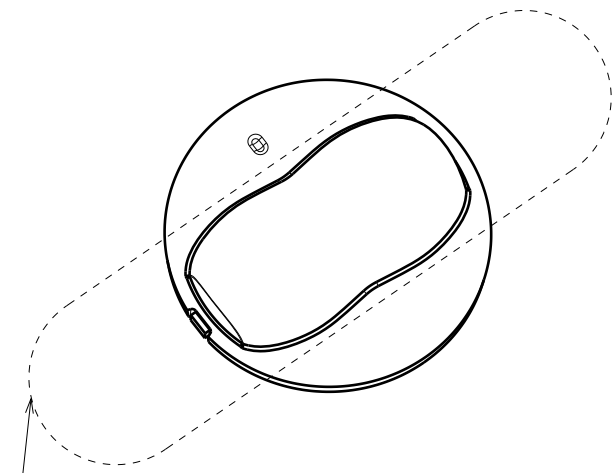


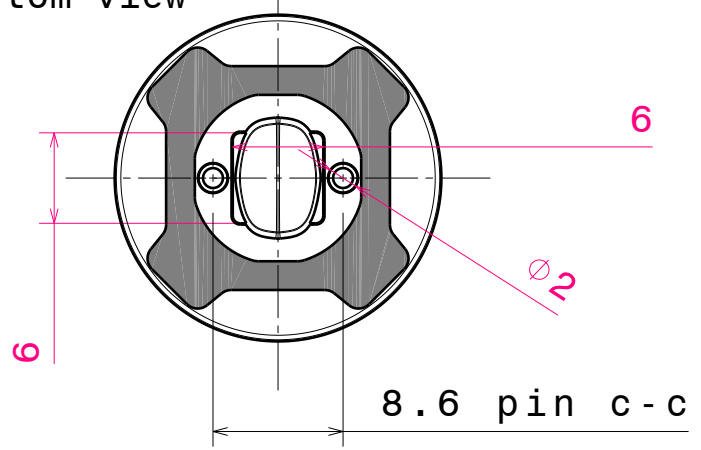
INDEX	PART NO	DESCRIPTION	MATERIAL
1	CA13156	EMERALD-A	PMMA + PU FOAM adhesive tape

4

Isometric view
Scale: 2:1



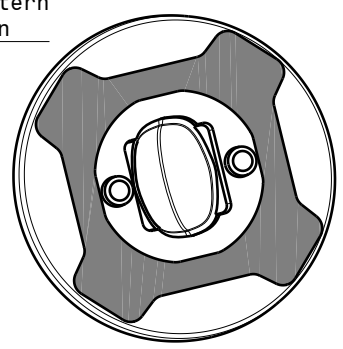
Bottom view



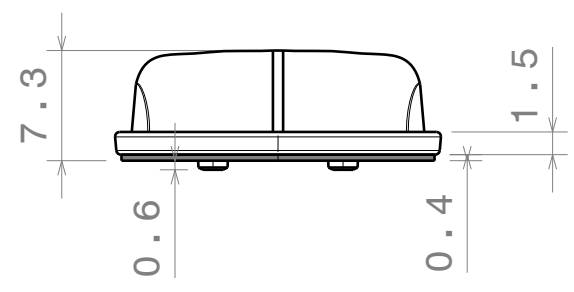
4

3

Beam pattern direction

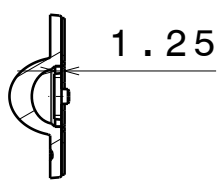


Front view



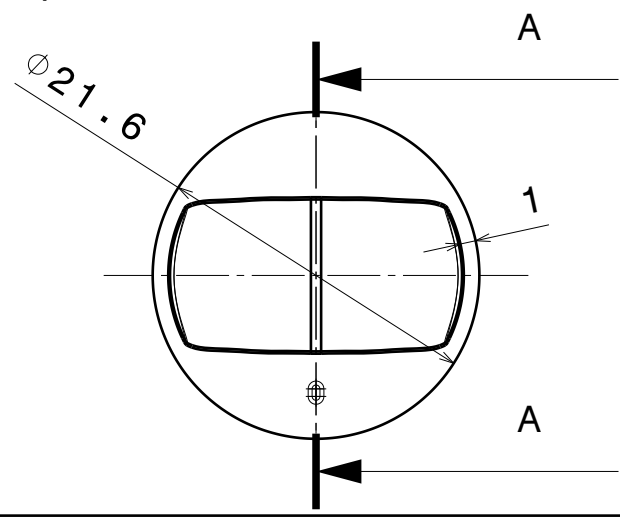
3

2



Section view A-A
Scale: 1:1

Top view



2

This drawing is our property. It can't be reproduced or communicated without our written agreement.



Ledil Oy
Salorankatu 10
FIN 24240 SALO
Finland

DATASHEET TITLE Mechanical Drawing

DRAWN BY ol

DATE 18.12.2012

CA13156 EMERALD-A

CHECKED BY as

DATE 18.12.2012

SIZE A4

PART NUMBER CA13156

REV 001

DESIGNED BY ol

DATE 3.10.2012

SCALE 2:1

WEIGHT

SHEET 1/1

1

1

D

A

AMEYA360

Components Supply Platform

Authorized Distribution Brand :



Website :

Welcome to visit www.ameya360.com

Contact Us :

➤ Address :

401 Building No.5, JiuGe Business Center, Lane 2301, Yishan Rd
Minhang District, Shanghai , China

➤ Sales :

Direct +86 (21) 6401-6692

Email amall@ameya360.com

QQ 800077892

Skype [ameyasales1](#) [ameyasales2](#)

➤ Customer Service :

Email service@ameya360.com

➤ Partnership :

Tel +86 (21) 64016692-8333

Email mkt@ameya360.com