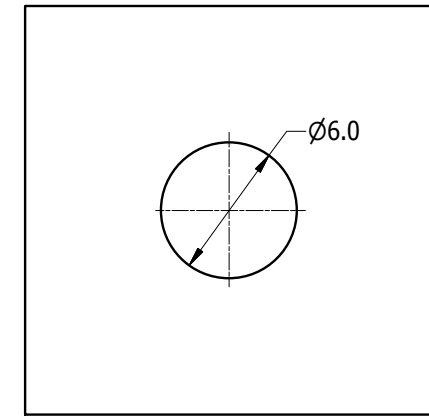
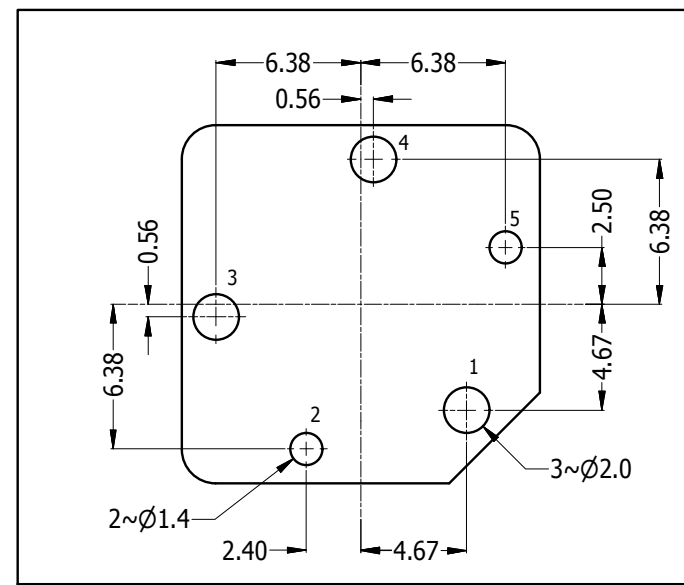
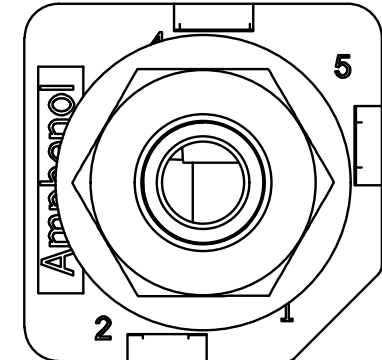
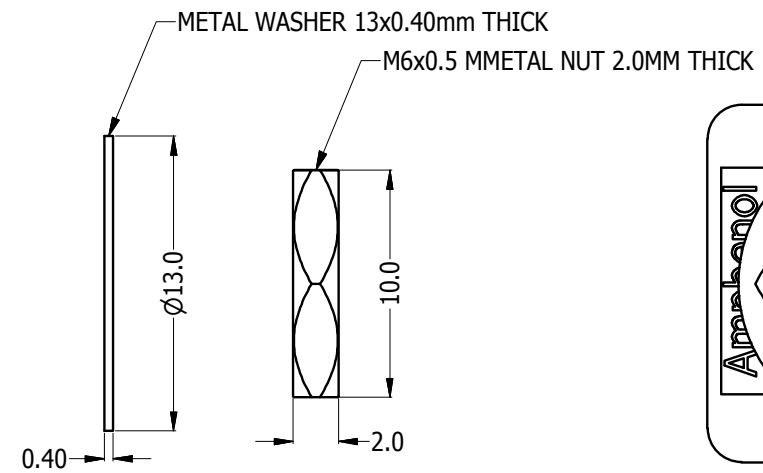
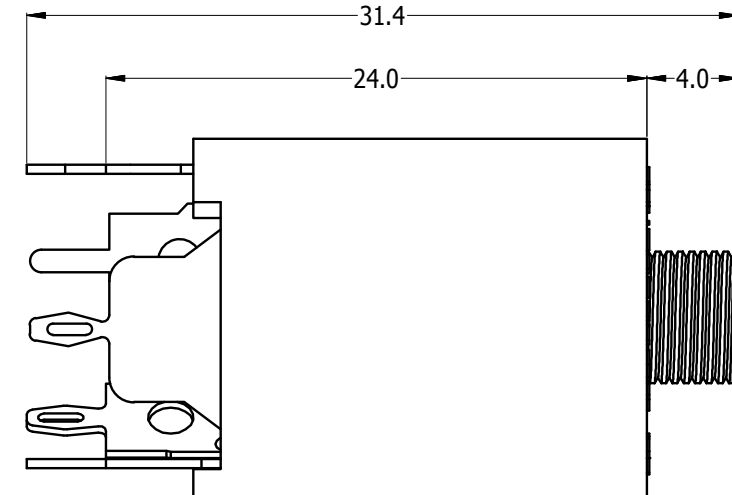
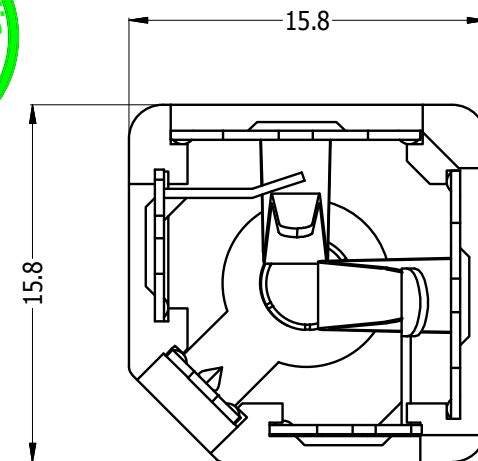
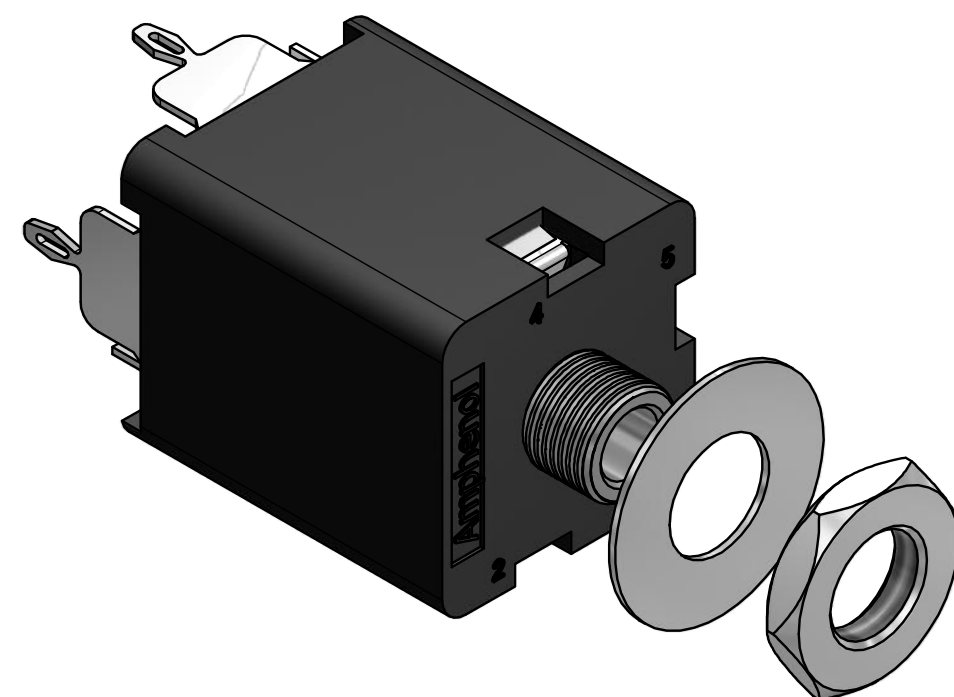


LEGEND = KEY PRODUCT CHARACTERISTICS

REVISION HISTORY				
REV	DESCRIPTION	DATE	BY	CHG/No
0	FIRST ISSUE	30/10/08	M.H	8798



PANEL CUTOUT



PCB LAYOUT
(CONNECTOR SIDE)

PART NUMBER	ACJM-MV35-2	ACJM-MV35-2S	ACJS-MV35-3	ACJS-MV35-3S	ACJS-MV35-5
SCHEMATIC					

NOTE: This connector is suitable for maximum 1.15mm panel thickness with Metal Washer & Nut

UNLESS OTHERWISE SPECIFIED TOLERANCE TO BE		THIS DOCUMENT IS THE PROPERTY OF AMPHENOL AUSTRALIA PTY. LTD. NO PART THEREOF MAY BE REPRODUCED AND USED WITHOUT THE PRIOR WRITTEN CONSENT OF THE OWNER				Amphenol Amphenol Australia Pty.Ltd, 2 Fiveways Blvd, Keysborough, VIC 3173	
LINEAR	ANGULAR	MATERIAL: REFER TO COMPONENTS	DRN: B.Z	DATE: 25/04/08	TITLE: 3.5mm JACK VERTICAL CUSTOMER DRAWING		PART No: SEE CHART
X ±0.5	X° ±1	FINISH: REFER TO COMPONENTS	CKD: M.H	DATE: 29/10/08	DRAWING NO. 55010544-001-5		SHEET 1/1
X.X ±0.1	X.X° ±30'	DO NOT SCALE	APP'D: P.M	DATE: 29/10/08	CAD FILE 55010544001110		
X.XX ±0.05	X.XX° ±15'	DIMENSIONS IN MILLIMETRES	SCALE: 3:1	SIZE: A3			

Authorized Distribution Brand :



Website :

Welcome to visit www.ameya360.com

Contact Us :

➤ Address :

401 Building No.5, JiuGe Business Center, Lane 2301, Yishan Rd
Minhang District, Shanghai , China

➤ Sales :

Direct +86 (21) 6401-6692

Email amall@ameya360.com

QQ 800077892

Skype ameyasales1 ameyasales2

➤ Customer Service :

Email service@ameya360.com

➤ Partnership :

Tel +86 (21) 64016692-8333

Email mkt@ameya360.com