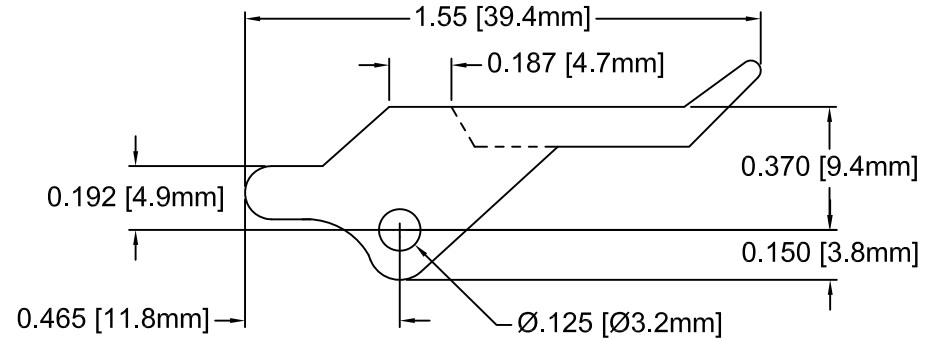
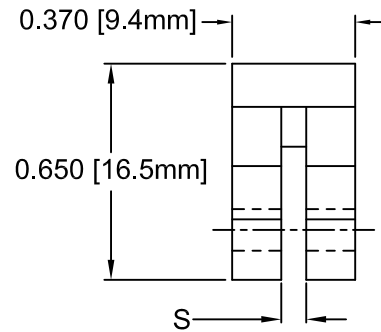
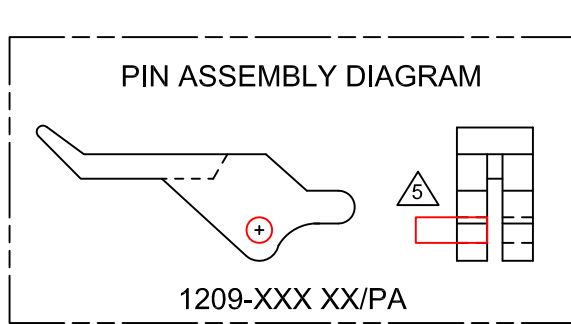
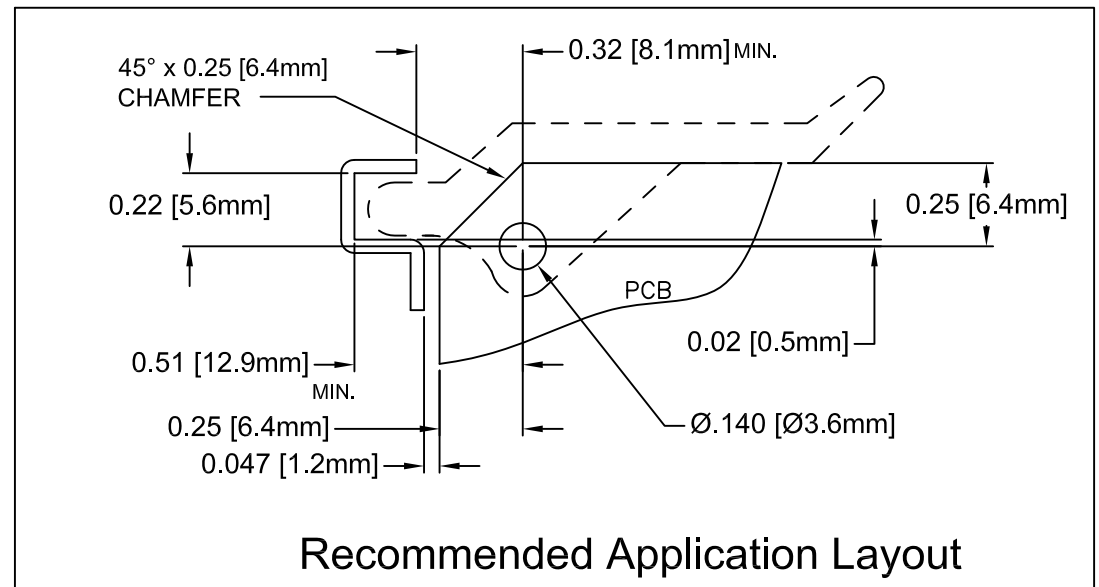


REV.	DESCRIPTION	DATE	APPROVED
B	Engineering Update w/o Changes	02/13/04	M. C.
C	Added 1209-062 WE	10/31/05	M. C.
D	Added Note 5 Pin Assembly	05/01/08	M. C.
E	Added /PA Diagram	05/14/09	T. Y.
F	Added 1209-093 WE	09/05/12	T. Y.



PART NO.	COLOR	S	PCB THICKNESS
1209-062 NT	NATURAL	.075"(1.9mm)	.062"(1.6mm)
1209-062 BK	BLACK		
1209-062 WE	WHITE		
1209-093 NT	NATURAL	.100"(2.5mm)	.093"(2.4mm)
1209-093 BK	BLACK		
1209-093 WE	WHITE		
1209-125 NT	NATURAL	.140"(3.6mm)	.125"(3.2mm)
1209-125 BK	BLACK		



△ /PA SUFFIX - PIN ASSEMBLY USING RP-375 (ROLL PIN). INSERT PIN INTO Ø.125" HOLE.

- MATERIAL: NYLON 6/6, 94V-0, WHITE. BIVAR MATERIAL CODE 24-WE. RTP POLYAMIDE NYLON 6/6, 0299X63548, NATURAL OR MODIFIED PLASTICS MN6/6-SE WHT.
- MATERIAL: NYLON 6/6, 94V-2, BLACK. BIVAR MATERIAL CODE 03-NL-BK. BASF ULTRAMID NYLON 6/6 A3K NATURAL W/BLACK PIGMENT ADDED.
- MATERIAL: NYLON 6/6, 94V-2, NATURAL. BIVAR MATERIAL CODE 03-NL. BASF ULTRAMID NYLON 6/6 A3K NATURAL.
- GENERAL SPECIFICATIONS: BIVAR MOLDED COMPONENT SPECIFICATION BV00-E101.

STANDARD TOLERANCE (UNLESS OTHERWISE SPECIFIED)		BIVAR®	
DECIMALS	ANGULAR	4 THOMAS, IRVINE, CA. 92618	
.X ± .1	X° ± 1°	TEL: (949) 951-8808 FAX: (949) 951-3974	
.XX ± .01		TITLE: PCB INSERTER/EXTRACTOR, CARD-O-PULL	
.XXX ± .005		PART NO: 1209-XXX XX	
DESIGNED: Michael Chen	DATE: 02/24/03	REVISION: F	
CHECKED: D. Green	DATE: 02/25/03	CAGE CODE: 32559	SHEET # 1 OF 1
CAD GENERATED DOCUMENT, DO NOT MEASURE DRAWING.			

AMEYA360

Components Supply Platform

Authorized Distribution Brand :



Website :

Welcome to visit www.ameya360.com

Contact Us :

➤ Address :

401 Building No.5, JiuGe Business Center, Lane 2301, Yishan Rd
Minhang District, Shanghai , China

➤ Sales :

Direct +86 (21) 6401-6692

Email amall@ameya360.com

QQ 800077892

Skype [ameyasales1](#) [ameyasales2](#)

➤ Customer Service :

Email service@ameya360.com

➤ Partnership :

Tel +86 (21) 64016692-8333

Email mkt@ameya360.com