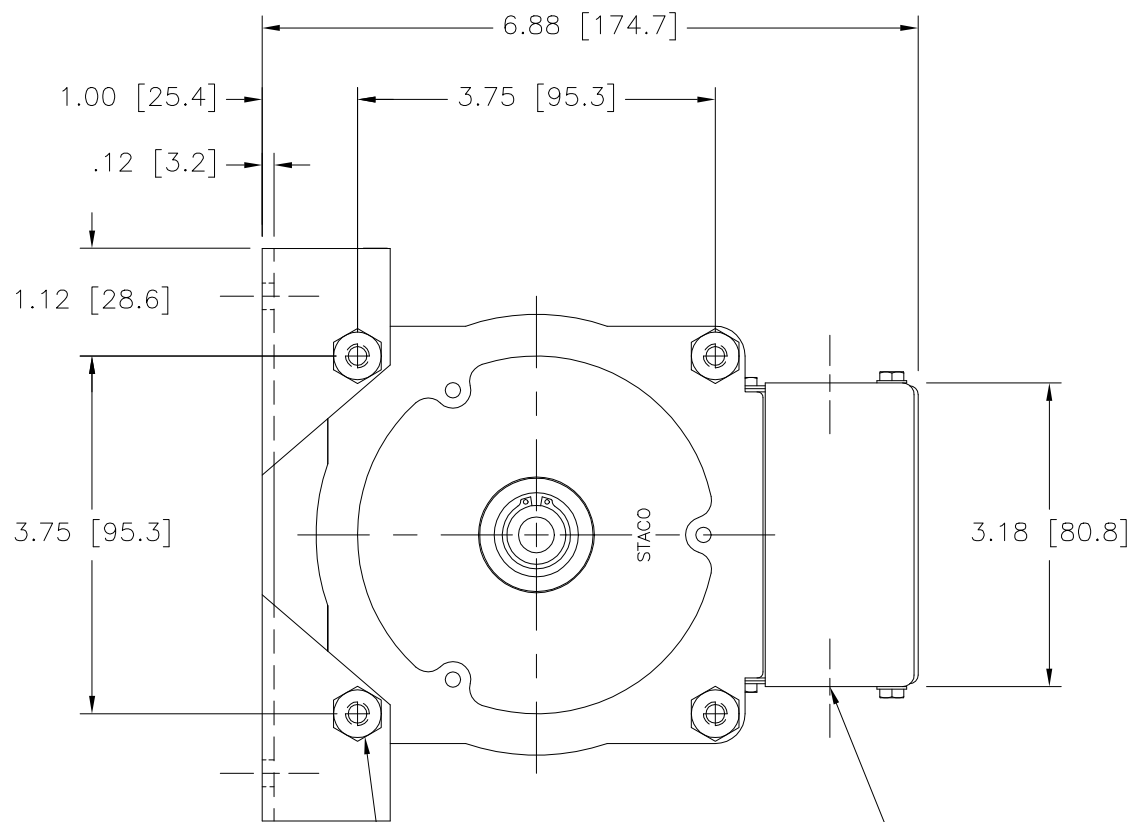
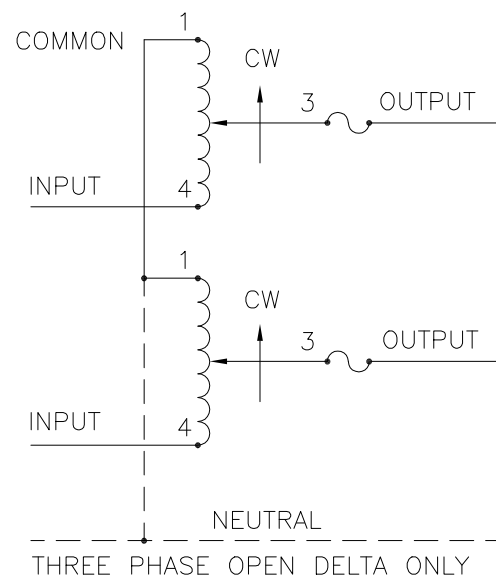
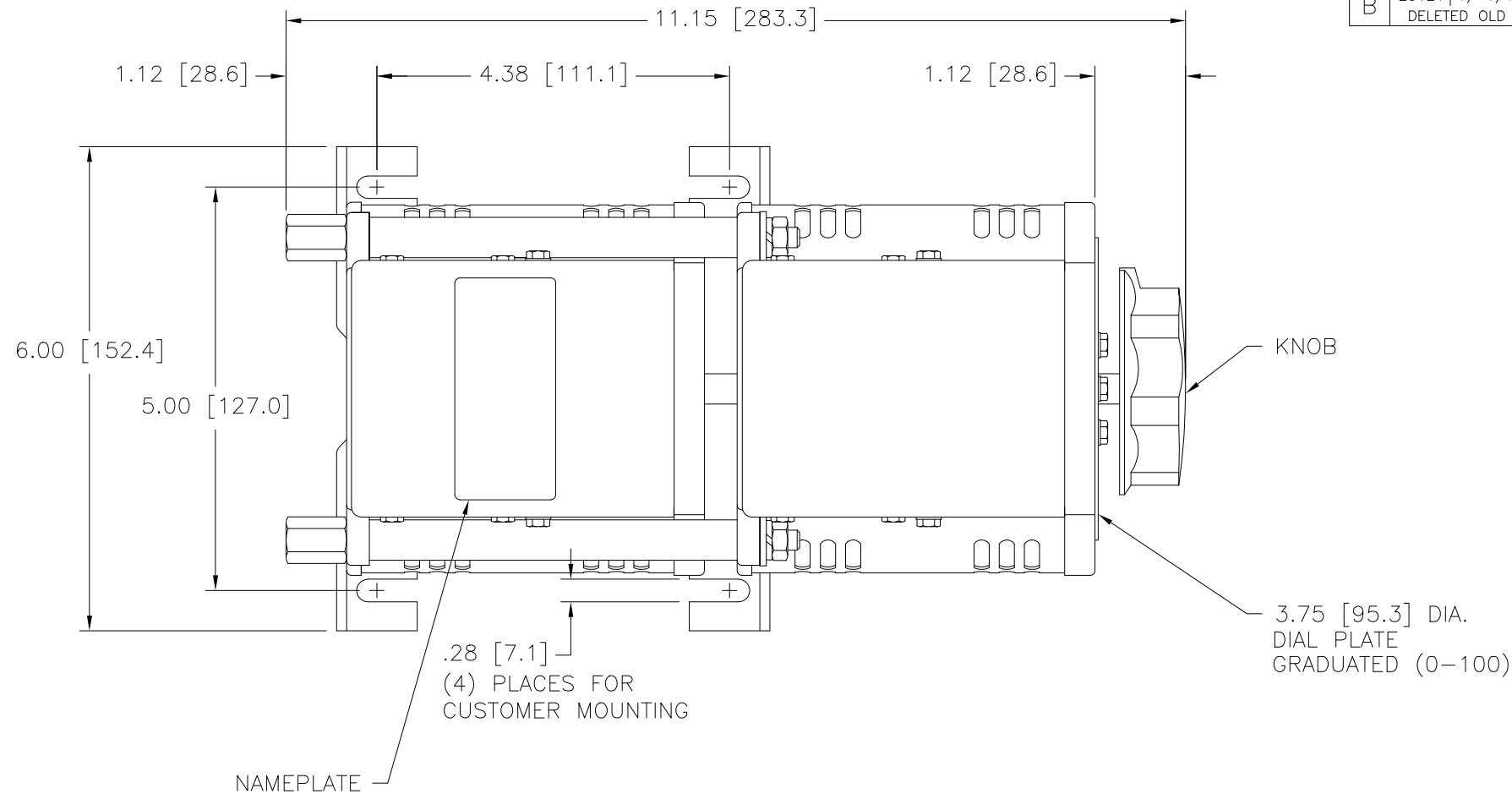


DWG. NO.	031-3018		
REVISIONS			
SYM.	E.C.N.	DATE	APVD.
A	24194	4/10/00	DELETED BLIND HOLES
B	25121	5/13/03	DELETED OLD LOGO



(4) STANDOFFS TAPPED
1/4-28 X .38 [9.5] DEEP
FOR MOUNTING BOLTS

.88 [22.2] DIA. KNOCKOUT
(5) PLACES FOR
WIRING CONNECTIONS



SCHEMATIC
THREE PHASE OPEN DELTA AND SINGLE
PHASE SERIES. FUSE RECOMMENDED BUT
NOT SUPPLIED.

⌘ IF GANGED UNITS ARE USED IN A SYSTEM THAT ORDINARILY HAS A COMMON NEUTRAL OR GROUND BETWEEN SOURCE AND LOAD, THE NEUTRAL OR GROUND MUST BE CONNECTED TO THE COMMON TERMINALS OF THE VARIABLE TRANSFORMER ASSEMBLY. IF THE SYSTEM HAS NO NEUTRAL, THE LOAD MUST BE BALANCED OR THE TRANSFORMER WILL BE DAMAGED.

■ JUMPER PROVIDED IN STANDARD COMMON POSITION AND SHOULD BE MOVED OR REMOVED AS REQUIRED.

++ LINE TO LINE VOLTAGE.

SPECIFICATIONS											
WIRING	INPUT		OUTPUT				SHAFT ROTATION TO INCREASE VOLTAGE	TERMINAL CONNECTIONS			
	VOLTS	HERTZ	VOLTS	CONSTANT CURRENT LOAD		CONSTANT IMPEDANCE LOAD		FOR INCREASING VOLTAGE AS VIEWED FROM BASE END ■			
				MAX. AMPS	MAX. KVA	MAX. AMPS		MAX. KVA	INPUT	JUMPER	OUTPUT
SINGLE PHASE SERIES	240	60	0-240	12	2.88	15	3.60	CW	1-1	4-4	3-3
								CCW	4-4	1-1	3-3
THREE PHASE OPEN DELTA ⌘	120	60	0-120	12	2.49	15	3.12	CW	1-4-1	4-4	3-4-3
								CCW	4-1-4	1-1	3-1-3

UNLESS OTHERWISE SPECIFIED, TOLERANCE IS ±
DECIMALS .005
HOLES .002
ANGLES 1°
DRAFT 1-1/2°
UNITS IN [mm]

MATERIAL: ALL DIMENSIONS APPLY AFTER PLATING

TITLE: SPEC. CONTROL DRAWING
VARIABLE TRANSFORMER
MODEL: 1210BCT-2

DRAWN BY: S.A. SMITH DATE: 9/25/97 FIRST USED ON: DO NOT SCALE DWG.
CHECKER: DATE: WEIGHT APPROX. 22.5 LBS CAGE CODE 83008
ENGINEER: DATE: SCALE 1=1 SHEET 1 OF 1

STACO ENERGY PRODUCTS CO.
A Components Corporation of Ametec Company
302 South Boulevard Dayton, Ohio 45403 USA

DWG. NO. 031-3018

Authorized Distribution Brand :



Website :

Welcome to visit www.ameya360.com

Contact Us :

➤ Address :

401 Building No.5, JiuGe Business Center, Lane 2301, Yishan Rd
Minhang District, Shanghai , China

➤ Sales :

Direct +86 (21) 6401-6692

Email amall@ameya360.com

QQ 800077892

Skype ameyasales1 ameyasales2

➤ Customer Service :

Email service@ameya360.com

➤ Partnership :

Tel +86 (21) 64016692-8333

Email mkt@ameya360.com