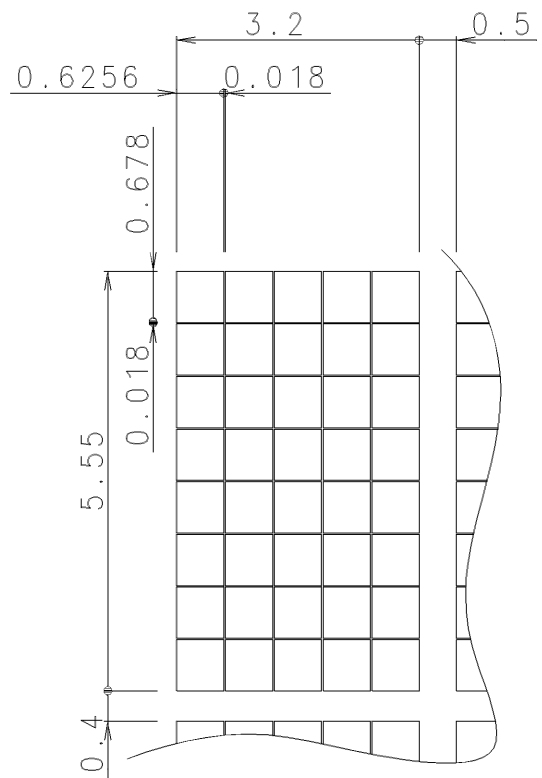
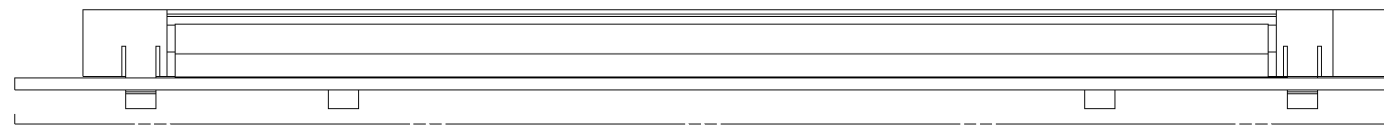
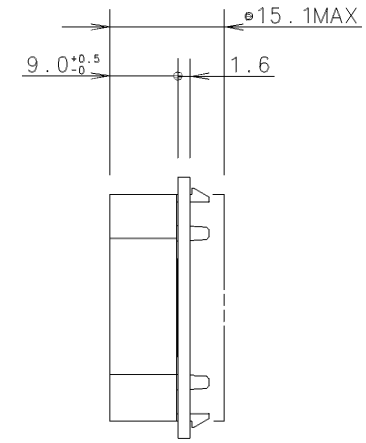
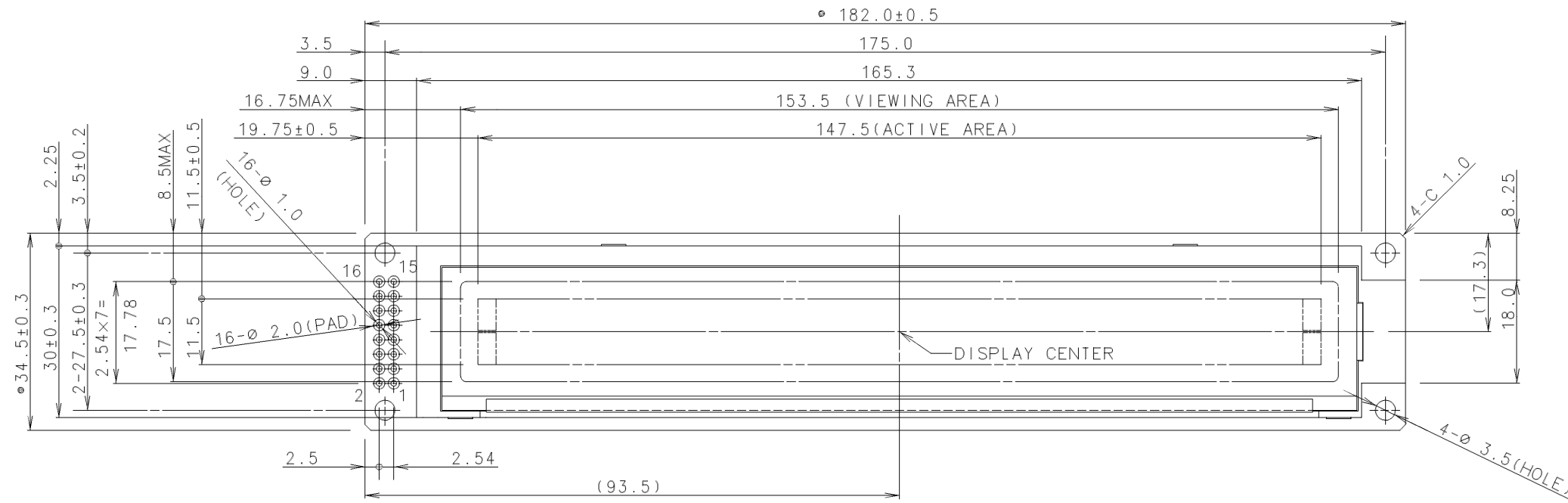
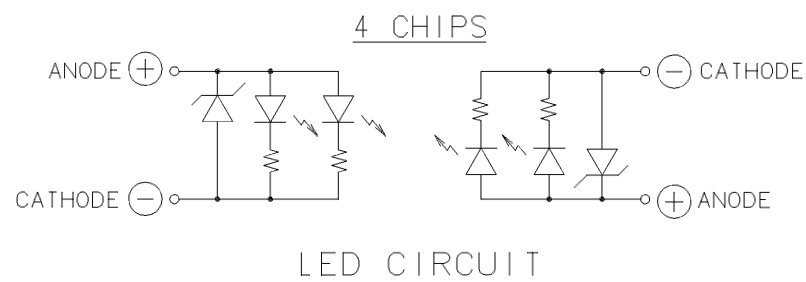


ISSUE	REVISIONS	DRAWN	APPROVED	DATE
△				



DOT DETAIL S=10:1



PIN ASSIGNMENT	
PIN No.	SYMBOL
1	VSS
2	VCC
3	VEE
4	RS
5	R/W
6	E
7	DB0
8	DB1
9	DB2
10	DB3
11	DB4
12	DB5
13	DB6
14	DB7
15	LED +A
16	LED -K

NOTES

- DO NOT USE MATERIALS WHICH ARE PROHIBITED BY ROHS.
- THE DIMENSIONS WITH THE MARK (●) ARE CONTROLLED AS A PARTICULAR CHARACTERISTIC.

MEASURE	TOLERANCE			THIRD ANGLE PROJECTION	DATE Feb.25'05	OPTREX CORPORATION
	A	B	C			
L≤16	±0.1	±0.3	±1	UNIT	APPROVED	TITLE
16<L≤63	±0.2	±0.5	±1.5	mm	M.MOTOHASHI	DIMENSIONAL OUTLINE
63<L≤250	±0.3	±0.8	±2	SCALE	CHECKED	CODE
250<L≤500	±0.5	±1.2	±3	1:1	M.MINAMI	C-51850AD base
500<L	±0.8	±2	±4		DRAWN	DWG NO.
ANGLE	±1°	±5°	±10°		ERASA	UE-312357

Authorized Distribution Brand :



Website :

Welcome to visit www.ameya360.com

Contact Us :

➤ Address :

401 Building No.5, JiuGe Business Center, Lane 2301, Yishan Rd
Minhang District, Shanghai , China

➤ Sales :

Direct +86 (21) 6401-6692

Email amall@ameya360.com

QQ 800077892

Skype ameyasales1 ameyasales2

➤ Customer Service :

Email service@ameya360.com

➤ Partnership :

Tel +86 (21) 64016692-8333

Email mkt@ameya360.com