

WSU-Series

Features:

- ⌈ Power Range: 6.75-36W
- ⌈ Input Voltage rating: 100-240VAC, 50/60Hz, NEMA 1-15P
- ⌈ Input Voltage range: 90-264VAC
- ⌈ Output: Six foot cord with standard barrel type connector
- ⌈ No minimum load required
- ⌈ Double Insulated
- ⌈ Dielectric Isolation (Input to Output): 4KVDC for 60 secs.
- ⌈ Operating Temperature: 0°C to 40°C @ Max. Load
- ⌈ Storage Temperature: -20°C to 60°C
- ⌈ Humidity: 5% to 95%, Non-condensing
- ⌈ Over voltage and short circuit protected.
- ⌈ Class B EMI
- ⌈ EISA 2007 and CEC compliant
- ⌈ 5 year warranty



Electrical Specifications (@25C):

PART NO. & Polarity		INPUT	OUTPUT		Ripple & Noise (mVp-p) Max	Regulation Line & Load	DIMENSIONS (mm)			Efficiency Level	FIG.
Center (+)	Center (-)	VOLTAGE (AC)	VOLTAGE (DC)	IDC (A) Max			Height	Width	Depth		
WSU045-1500	WSU045-1500-R	100-240	4.5	1.50	300	±5%	60	39	31	V	1
WSU045-2000	WSU045-2000-R	100-240	4.5	2.00	150	±5%	71	43	30	V	2
WSU045-3000	WSU045-3000-R	100-240	4.5	3.00	150	±7%	77	48	31	V	3
WSU050-1500	WSU050-1500-R	100-240	5.0	1.50	300	±5%	60	39	31	V	1
WSU050-2000	WSU050-2000-R	100-240	5.0	2.00	150	±5%	71	43	30	V	2
WSU050-3000	WSU050-3000-R	100-240	5.0	3.00	150	±6%	77	48	31	V	3
WSU050-4000	WSU050-4000-R	100-240	5.0	4.00	150	±5%	77	48	31	IV	3
WSU060-1250	WSU060-1250-R	100-240	6.0	1.25	300	±5%	60	39	31	V	1
WSU060-2000	WSU060-2000-R	100-240	6.0	2.00	150	±5%	71	43	30	IV	2
WSU060-3000	WSU060-3000-R	100-240	6.0	3.00	150	±5%	77	48	31	IV	3
WSU060-4000	WSU060-4000-R	100-240	6.0	4.00	150	±5%	77	48	31	IV	3
WSU075-1000	WSU075-1000-R	100-240	7.5	1.00	300	±5%	60	39	31	V	1

PART NO. & Polarity		INPUT	OUTPUT		Ripple & Noise (mVp-p) Max	Regulation Line & Load	DIMENSIONS (mm)			Efficiency Level	FIG.
Center (+)	Center (-)	VOLTAGE (AC)	VOLTAGE (DC)	IDC (A) Max			Height	Width	Depth		
WSU075-1500	WSU075-1500-R	100-240	7.5	1.50	150	±5%	71	43	30	IV	2
WSU075-2400	WSU075-2400-R	100-240	7.5	2.40	150	±5%	77	48	31	IV	3
WSU075-3200	WSU075-3200-R	100-240	7.5	3.20	150	±5%	77	48	31	V	3
WSU075-4000	WSU075-4000-R	100-240	7.5	4.00	150	±5%	84	53	31	IV	4
WSU090-0800	WSU090-0800-R	100-240	9.0	0.80	300	±5%	60	39	31	V	1
WSU090-1300	WSU090-1300-R	100-240	9.0	1.30	150	±5%	71	43	30	V	2
WSU090-2000	WSU090-2000-R	100-240	9.0	2.00	150	±5%	77	48	31	V	3
WSU090-2500	WSU090-2500-R	100-240	9.0	2.50	150	±5%	77	48	31	IV	3
WSU090-3500	WSU090-3500-R	100-240	9.0	3.50	150	±5%	84	53	31	IV	4
WSU120-0700	WSU120-0700-R	100-240	12.0	0.70	300	±5%	60	39	31	V	1
WSU120-1000	WSU120-1000-R	100-240	12.0	1.00	150	±5%	71	43	30	V	2
WSU120-1500	WSU120-1500-R	100-240	12.0	1.50	150	±5%	77	48	31	V	3
WSU120-2000	WSU120-2000-R	100-240	12.0	2.00	150	±5%	77	48	31	V	3
WSU120-3000	WSU120-3000-R	100-240	12.0	3.00	150	±5%	84	53	31	V	4
WSU135-0620	WSU135-0620-R	100-240	13.5	0.62	300	±5%	60	39	31	V	1
WSU135-0880	WSU135-0880-R	100-240	13.5	0.88	150	±5%	71	43	30	V	2
WSU135-1330	WSU135-1330-R	100-240	13.5	1.33	150	±5%	77	48	31	V	3
WSU135-1770	WSU135-1770-R	100-240	13.5	1.77	150	±5%	77	48	31	V	3
WSU135-2660	WSU135-2660-R	100-240	13.5	2.66	150	±5%	84	53	31	V	4
WSU150-0560	WSU150-0560-R	100-240	15.0	0.56	300	±5%	60	39	31	V	1
WSU150-0800	WSU150-0800-R	100-240	15.0	0.80	150	±5%	71	43	30	V	2
WSU150-1200	WSU150-1200-R	100-240	15.0	1.20	150	±5%	77	48	31	V	3
WSU150-1600	WSU150-1600-R	100-240	15.0	1.60	150	±5%	77	48	31	V	3
WSU150-2400	WSU150-2400-R	100-240	15.0	2.40	150	±5%	84	53	31	V	4
WSU180-0450	WSU180-0450-R	100-240	18.0	0.45	300	±5%	60	39	31	V	1
WSU180-0660	WSU180-0660-R	100-240	18.0	0.66	150	±5%	71	43	30	V	2
WSU180-1000	WSU180-1000-R	100-240	18.0	1.00	150	±5%	77	48	31	V	3
WSU180-1330	WSU180-1330-R	100-240	18.0	1.33	150	±5%	77	48	31	V	3

PART NO. & Polarity		INPUT	OUTPUT		Ripple & Noise (mVp-p) Max	Regulation Line & Load	DIMENSIONS (mm)			Efficiency Level	FIG.
Center (+)	Center (-)	VOLTAGE (AC)	VOLTAGE (DC)	IDC (A) Max			Height	Width	Depth		
WSU180-2000	WSU180-2000-R	100-240	18.0	2.00	150	±5%	84	53	31	V	4
WSU240-0500	WSU240-0500-R	100-240	24.0	0.50	150	±5%	71	43	30	V	2
WSU240-0750	WSU240-0750-R	100-240	24.0	0.75	150	±5%	77	48	31	V	3
WSU240-1000	WSU240-1000-R	100-240	24.0	1.00	150	±5%	77	75	31	V	3
WSU240-1500	WSU240-1500-R	100-240	24.0	1.50	150	±5%	84	53	31	V	4

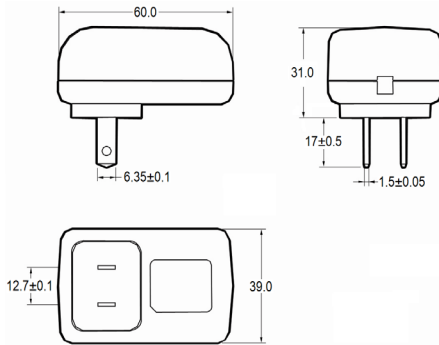


Figure 1

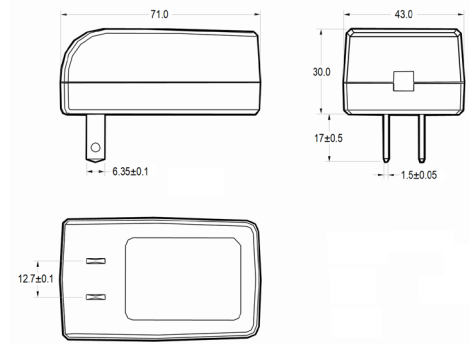


Figure 2

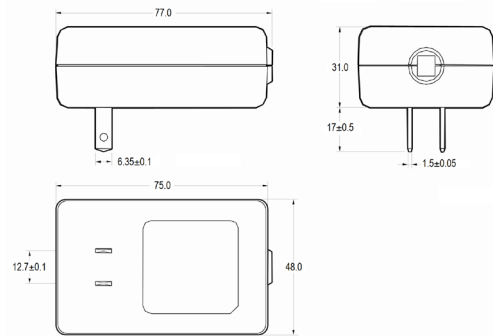


Figure 3

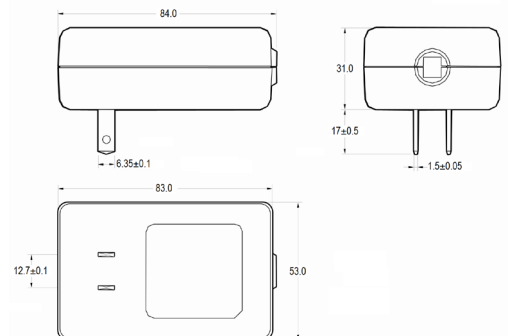
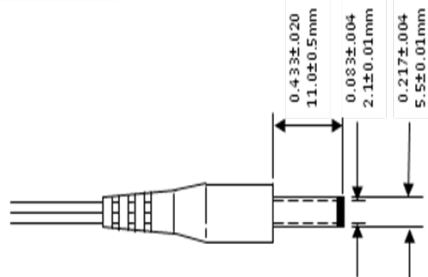


Figure 4

OUTPUT PLUG:



MATING CONNECTOR: SWITCHCRAFT 722-series or equivalent

Custom designs available. Other plug types and sizes available. Minimums may apply.

AMEYA360

Components Supply Platform

Authorized Distribution Brand :



Website :

Welcome to visit www.ameya360.com

Contact Us :

➤ Address :

401 Building No.5, JiuGe Business Center, Lane 2301, Yishan Rd
Minhang District, Shanghai , China

➤ Sales :

Direct +86 (21) 6401-6692

Email amall@ameya360.com

QQ 800077892

Skype [ameyasales1](#) [ameyasales2](#)

➤ Customer Service :

Email service@ameya360.com

➤ Partnership :

Tel +86 (21) 64016692-8333

Email mkt@ameya360.com