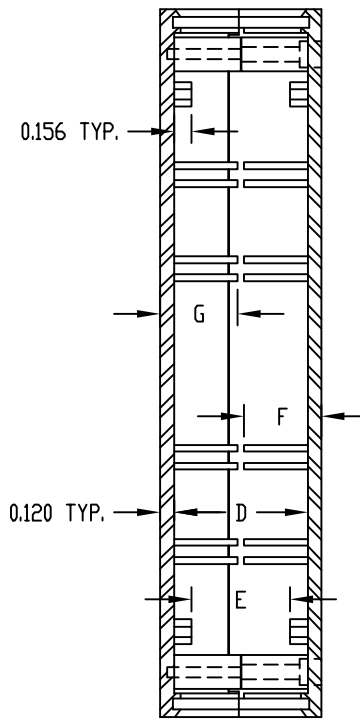
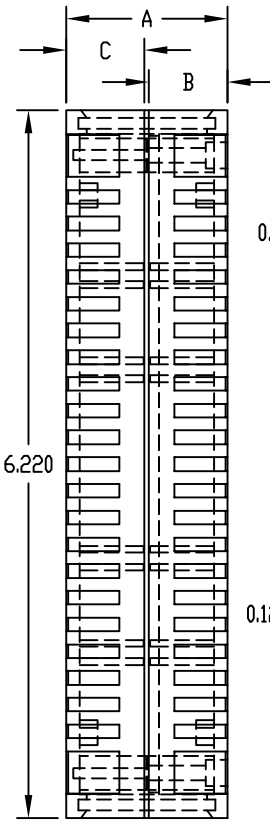
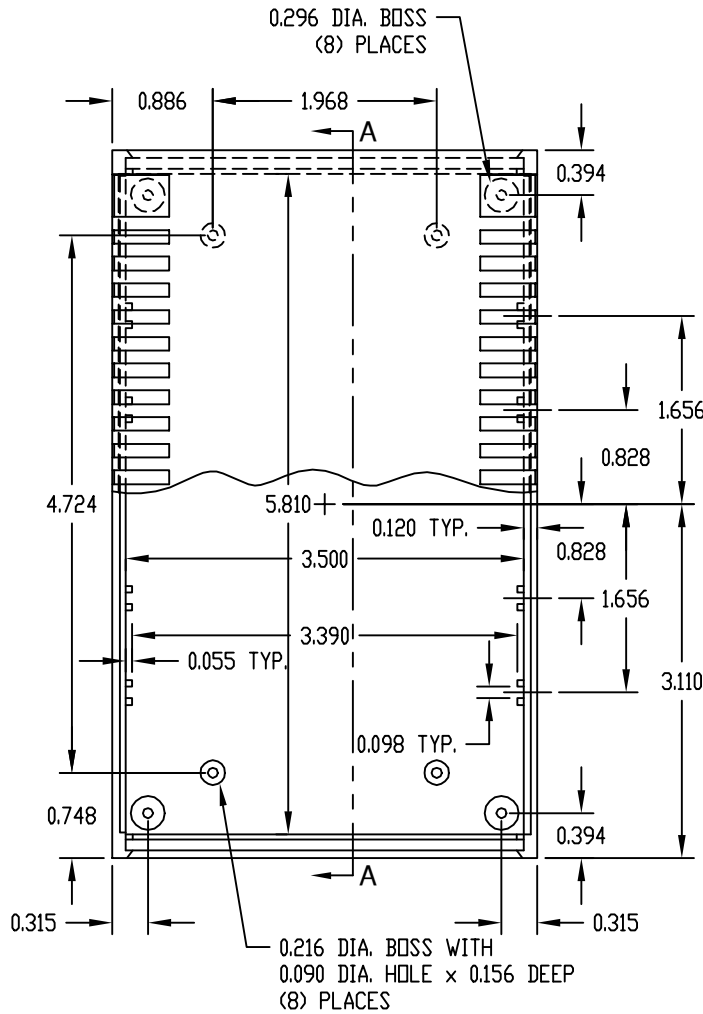


PART NAME

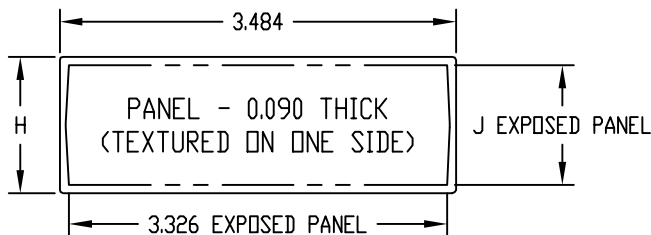
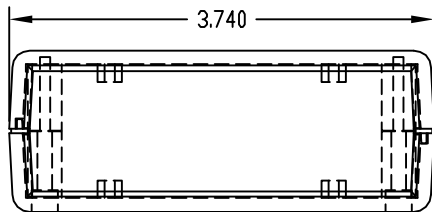
PLASTICASE

PART No.

PC-11460, PC-11461 & PC-11462



SECTION "A-A"



MATERIAL: ABS THERMOPLASTIC (UL 94-HB RATED)

FINISH: TOP & BOTTOM _____ LIGHT GRAY
PANELS _____ DARK GRAY

FOR PC-11460 & PC-11461
FOUR (4) M3 x 1.000 LG SCREWS SUPPLIED
FOR ASSEMBLING BOTTOM TO TOP.

FOR PC-11462
FOUR (4) M3 x 1.218 LG SCREWS SUPPLIED
FOR ASSEMBLING BOTTOM TO TOP.

FOUR (4) RUBBER STICK-ON FEET SUPPLIED.

MOUNTING BOSSES USE EITHER M2.5 METRIC
OR #4 STD. SHEET METAL SCREWS x 3/16 LG.
(NOT SUPPLIED)

NOTE: ALL DIMENSIONS HAVE ±0.015 TOLERANCE
UNLESS OTHERWISE SPECIFIED.

PART NO.	A	B	C	D	E	F	G	H	J
PC-11460	1.417	0.689	0.689	1.177	0.865	0.680	0.680	1.200	1.057
PC-11461	1.850	0.689	1.122	1.610	1.298	0.680	1.113	1.633	1.490
PC-11462	2.283	1.122	1.122	2.043	1.731	1.113	1.113	2.066	1.923

AMEYA360

Components Supply Platform

Authorized Distribution Brand :



Website :

Welcome to visit www.ameya360.com

Contact Us :

➤ Address :

401 Building No.5, JiuGe Business Center, Lane 2301, Yishan Rd
Minhang District, Shanghai , China

➤ Sales :

Direct +86 (21) 6401-6692

Email amall@ameya360.com

QQ 800077892

Skype [ameyasales1](#) [ameyasales2](#)

➤ Customer Service :

Email service@ameya360.com

➤ Partnership :

Tel +86 (21) 64016692-8333

Email mkt@ameya360.com