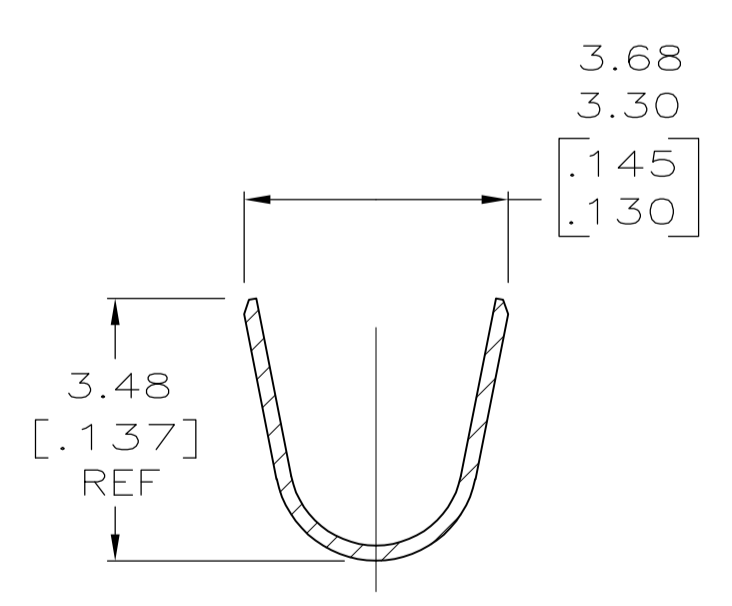
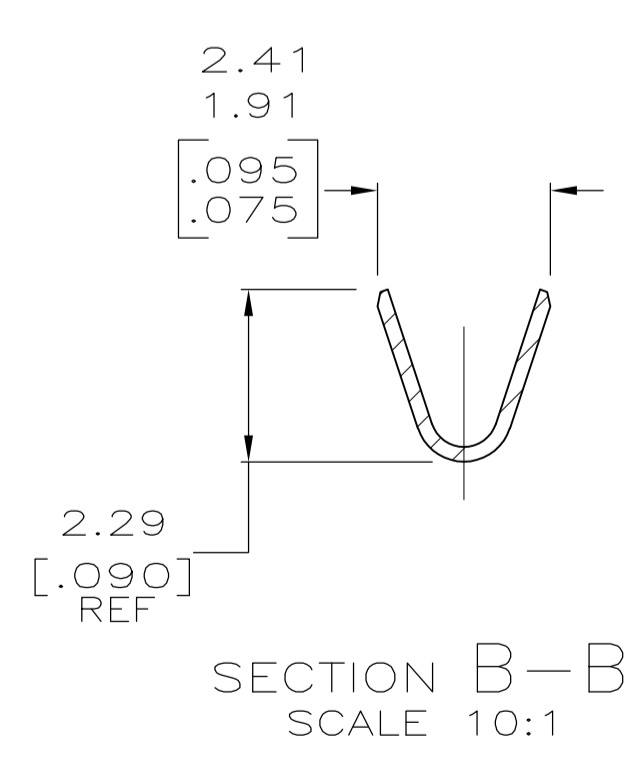
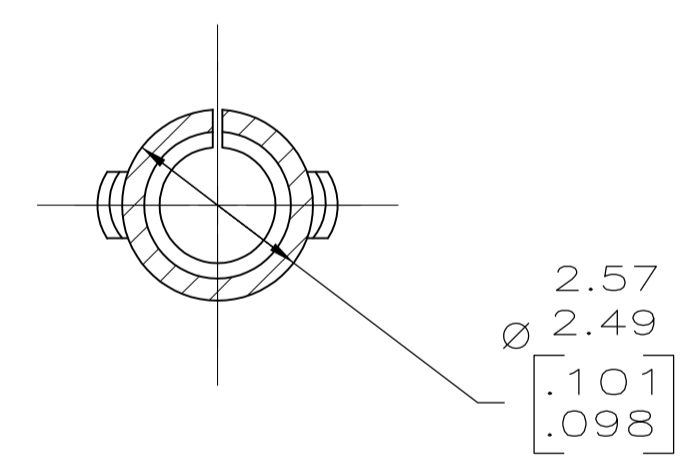
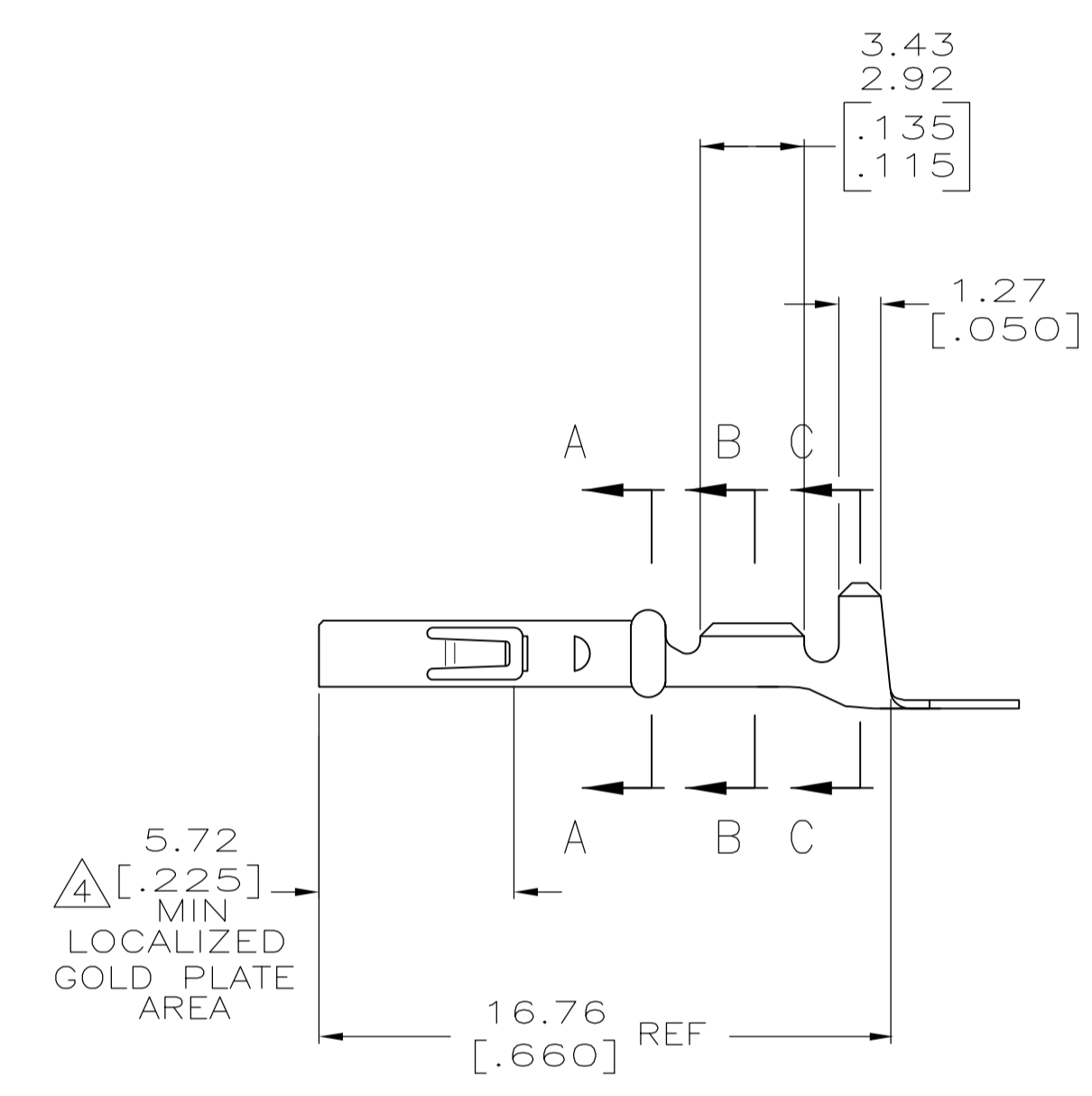
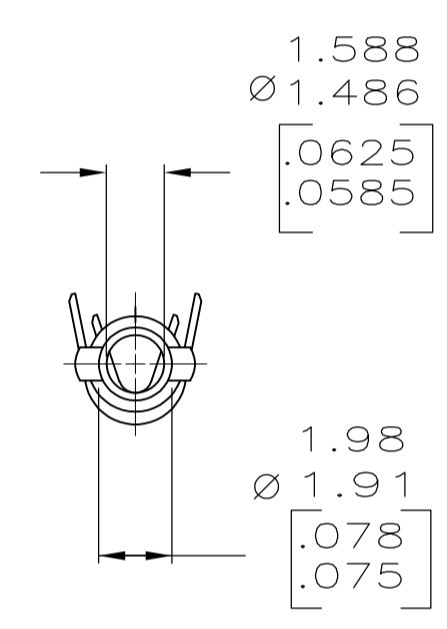
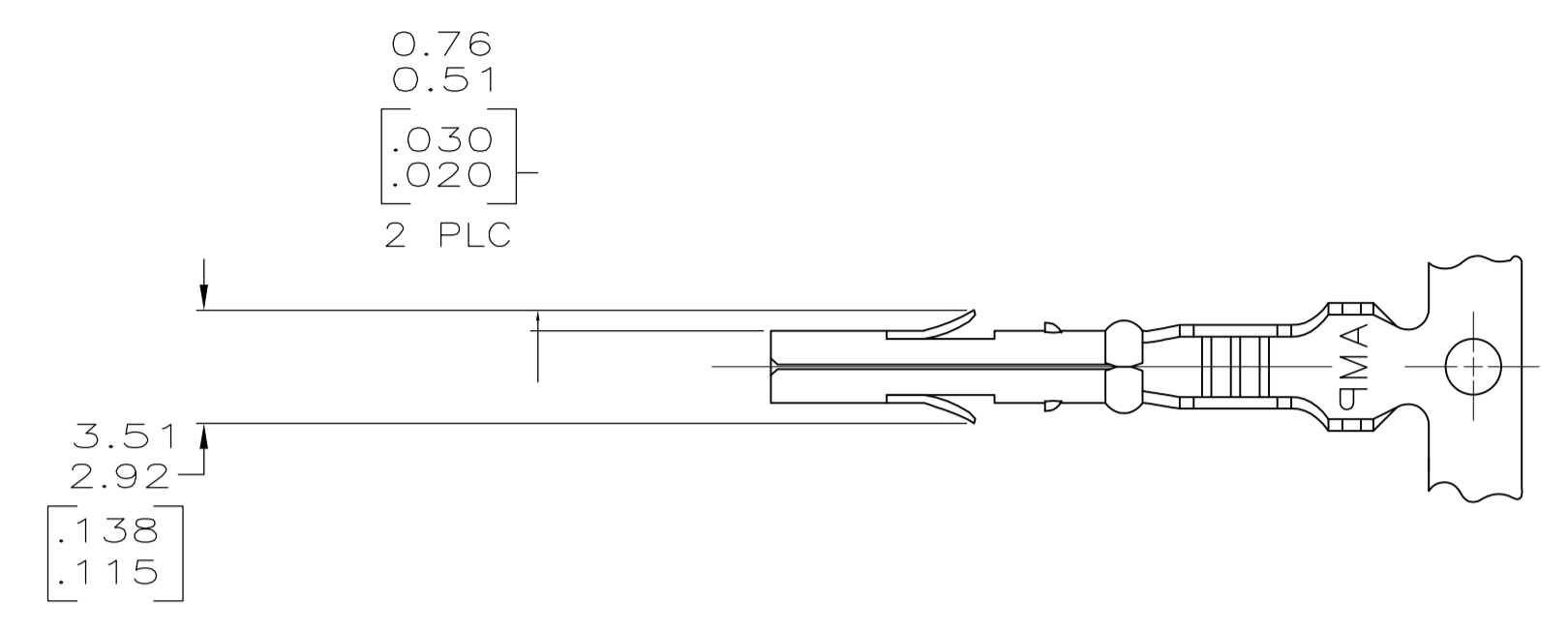


LOC		DIST		REVISIONS			
P	LTR	DESCRIPTION	DATE	DN	APVD		
E2		REVISED PER ECO-11-004820	11MAR11	RK	HMR		

- 1 WIRE RANGE: 0.12-0.9mm<sup>2</sup> (26-18 AWG).
- 2 INSULATION RANGE: 1.27-2.92 [.050-.115] MAX. DIA.
- 3 DIMENSIONS IN BRACKETS ARE IN INCHES.
- 4  $\Delta$  PLATE INTERNALLY WITH 0.00076 [.000030] MIN GOLD IN THE LOCALIZED GOLD PLATE AREA, GOLD FLASH ON THE REMAINDER, OVER 0.00127 [.000050] MIN NICKEL UNDERPLATE.



$\Delta$ GOLD STRIPE	0.20 [.008] PHOS BRZ	641294-2
PRE-TIN	0.20 [.008] PHOS BRZ	641294-1
FINISH	MATERIAL	PART NO

THIS DRAWING IS A CONTROLLED DOCUMENT.		DIN 9-28-94		K. SALMON	
DIMENSIONS: mm [INCHES]		TOLERANCES UNLESS OTHERWISE SPECIFIED:		CHK R. SWING 9-28-94	
0 PLC ± -		1 PLC ± -		APVD -	
2 PLC ± -		3 PLC ± 0.13 [.005]		NAME	
4 PLC ± -		ANGLES ± -		PRODUCT SPEC	
MATERIAL SEE TABLE		FINISH SEE TABLE		APPLICATION SPEC	
WEIGHT -		SIZE		CAGE CODE	
CUSTOMER DRAWING		SCALE 5:1		DRAWING NO. A1 00779C=641294	
SHEET 1 OF 1		REV E2		RESTRICTED TO	

METRIC

# AMEYA360

Components Supply Platform

Authorized Distribution Brand :



Website :

Welcome to visit [www.ameya360.com](http://www.ameya360.com)

Contact Us :

> Address :

401 Building No.5, JiuGe Business Center, Lane 2301, Yishan Rd  
Minhang District, Shanghai , China

> Sales :

Direct +86 (21) 6401-6692  
Email [amall@ameya360.com](mailto:amall@ameya360.com)  
QQ 800077892  
Skype ameyasales1 ameyasales2

> Customer Service :

Email [service@ameya360.com](mailto:service@ameya360.com)

> Partnership :

Tel +86 (21) 64016692-8333  
Email [mkt@ameya360.com](mailto:mkt@ameya360.com)