

SMT POWER INDUCTORS

Shielded Drum Core - PG0087NL Series



- Height:** 2.0mm Max
- Footprint:** 6.2mm x 6.2mm Max
- Current Rating:** up to 3.5A
- Inductance Range:** 0.9μH to 4.5mH

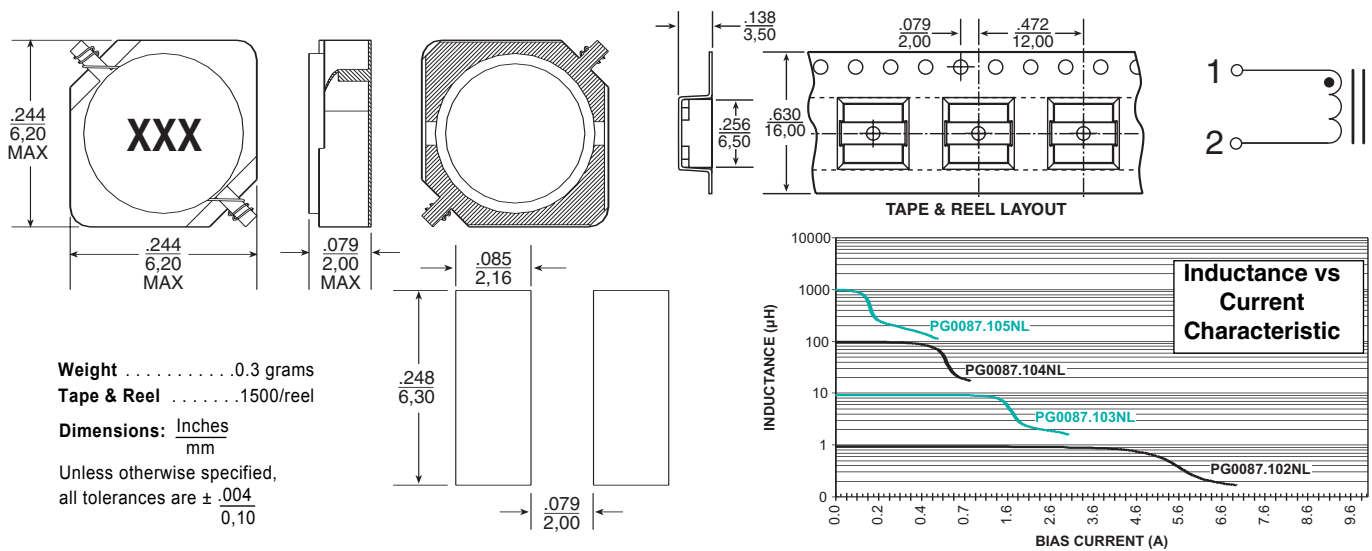
Electrical Specifications @ 25°C — Operating Temperature -40°C to +130°C¹

Part ^{2,3} Number	Inductance @0A _{dc} (μH ±20%)	Inductance @I _{rated} (μH TYP)	I _{rated} ⁵ (A)	DCR (mΩ)		Saturation ⁶ Current I _{sat} -10% (A)	Heating ⁷ Current I _{dc} +40°C (A)	Core Loss ⁸ Factor (K2)	SRF (MHz)
				TYP	MAX				
PG0087.102NL	1.0	0.9	3.5	29	33	3.5	5.5	710	>40
PG0087.152NL	1.5	1.3	3.0	23	34	3.0	4.9	870	>40
PG0087.222NL	2.2	1.9	2.2	40	45	2.2	4.2	1100	>40
PG0087.332NL	3.3	2.9	2.0	47	55	2.0	3.3	1200	>40
PG0087.472NL	4.7	4.2	1.75	64	70	1.75	2.8	1600	>40
PG0087.682NL	6.8	6.1	1.50	97	105	1.50	2.4	1700	37
PG0087.103NL	10	9.0	1.20	111	124	1.20	2.2	2200	34
PG0087.153NL	15	13	0.94	198	205	0.94	1.6	2700	28
PG0087.223NL	22	19	0.80	248	280	0.80	1.5	3400	22
PG0087.333NL	33	29	0.65	342	386	0.65	1.2	4000	17
PG0087.473NL	47	42	0.54	525	594	0.54	0.95	4900	15
PG0087.683NL	68	61	0.43	656	710	0.43	0.80	6100	13
PG0087.104NL	100	90	0.36	1180	1200	0.36	0.65	7000	10
PG0087.154NL	150	130	0.30	1740	1850	0.30	0.52	8200	9.0
PG0087.224NL	220	190	0.25	2600	2700	0.25	0.42	10000	7.0
PG0087.334NL	330	290	0.20	3810	3950	0.20	0.36	13000	5.4
PG0087.474NL	470	420	0.15	6147	6240	0.15	0.28	15000	4.3
PG0087.604NL	600	540	0.13	6716	7160	0.13	0.26	17000	4.1
PG0087.684NL	680	610	0.10	8947	9190	0.10	0.22	18000	3.9
PG0087.824NL	820	730	0.08	10800	11440	0.08	0.20	19000	3.5
PG0087.105NL	1000	900	0.06	11655	12570	0.06	0.18	21000	2.7
PG0087.205NL	2000	1800	0.05	23200	24900	0.05	0.14	30000	1.9
PG0087.305NL	3000	2700	0.038	30660	31530	0.038	0.12	37000	1.6
PG0087.505NL	5000	4500	0.025	57560	64200	0.025	0.09	48000	1.1

NOTES FROM TABLE: (See page 43)

Mechanical

Schematic



AMEYA360

Components Supply Platform

Authorized Distribution Brand :



Website :

Welcome to visit www.ameya360.com

Contact Us :

➤ Address :

401 Building No.5, JiuGe Business Center, Lane 2301, Yishan Rd
Minhang District, Shanghai , China

➤ Sales :

Direct +86 (21) 6401-6692

Email amall@ameya360.com

QQ 800077892

Skype [ameyasales1](#) [ameyasales2](#)

➤ Customer Service :

Email service@ameya360.com

➤ Partnership :

Tel +86 (21) 64016692-8333

Email mkt@ameya360.com