

4

3

2

1

THIS DRAWING IS UNPUBLISHED.

RELEASED FOR PUBLICATION

20

© COPYRIGHT 20

BY -


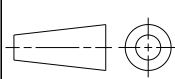
ALL RIGHTS RESERVED.

REVISIONS

P	LTR	DESCRIPTION	DATE	DWN	APVD
	A	FIRST ISSUE	11FEB2009	AV	GT
	B	ADDED LOAD MARKS	07JUL2011	AV	GT
	C	REVISED PER ECR-14-004322	27MAR2014	RS	DD

- Space inside designed for cable type SPT - 2 2xAWG18
- Counterparts see drawings for PN 293387 and 293388

WHITE	PBT GF15% UL94 V0	0-293358-1	C
COLOUR	MATERIAL	TE P/N	REV

THIS DRAWING IS A CONTROLLED DOCUMENT.		DWN A. Vecchia 11FEB2009	 TE Connectivity	
DIMENSIONS: mm		CHK G. Turco 11FEB2009		
TOLERANCES UNLESS OTHERWISE SPECIFIED:		APVD G. Turco 11FEB2009	NAME 7.5mm MiniHVL Connector System TUBE for SPT-2 cable	
		PRODUCT SPEC -	RESTRICTED TO -	
MATERIAL SEE TABLE		APPLICATION SPEC -	SIZE A300779	DRAWING NO C-293358
FINISH -		WEIGHT 0.39g	SCALE 4:1	SHEET 1 OF 1
-		Customer Drawing	REV C	

1470-19 (3/13)

AMEYA360

Components Supply Platform

Authorized Distribution Brand :



Website :

Welcome to visit www.ameya360.com

Contact Us :

➤ Address :

401 Building No.5, JiuGe Business Center, Lane 2301, Yishan Rd
Minhang District, Shanghai , China

➤ Sales :

Direct +86 (21) 6401-6692

Email amall@ameya360.com

QQ 800077892

Skype ameyasales1 ameyasales2

➤ Customer Service :

Email service@ameya360.com

➤ Partnership :

Tel +86 (21) 64016692-8333

Email mkt@ameya360.com