

PART NAME

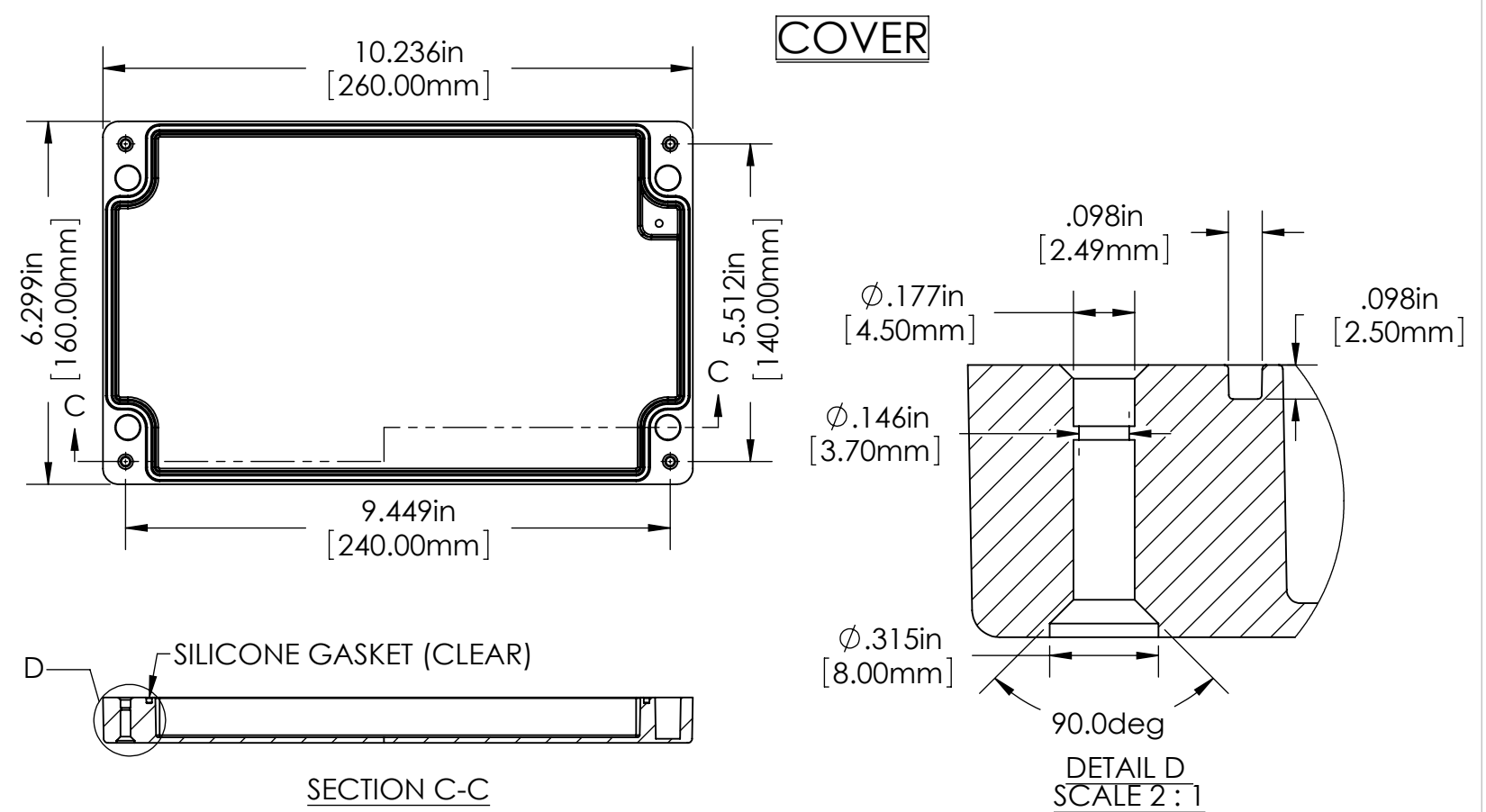
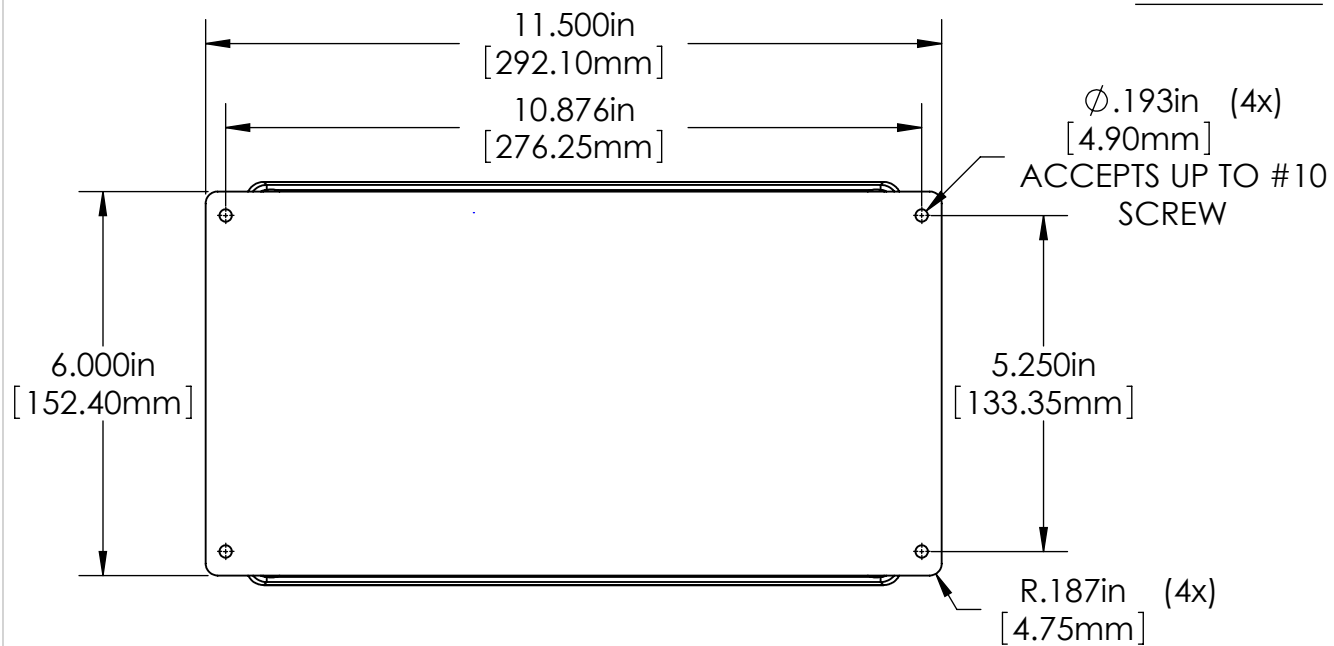
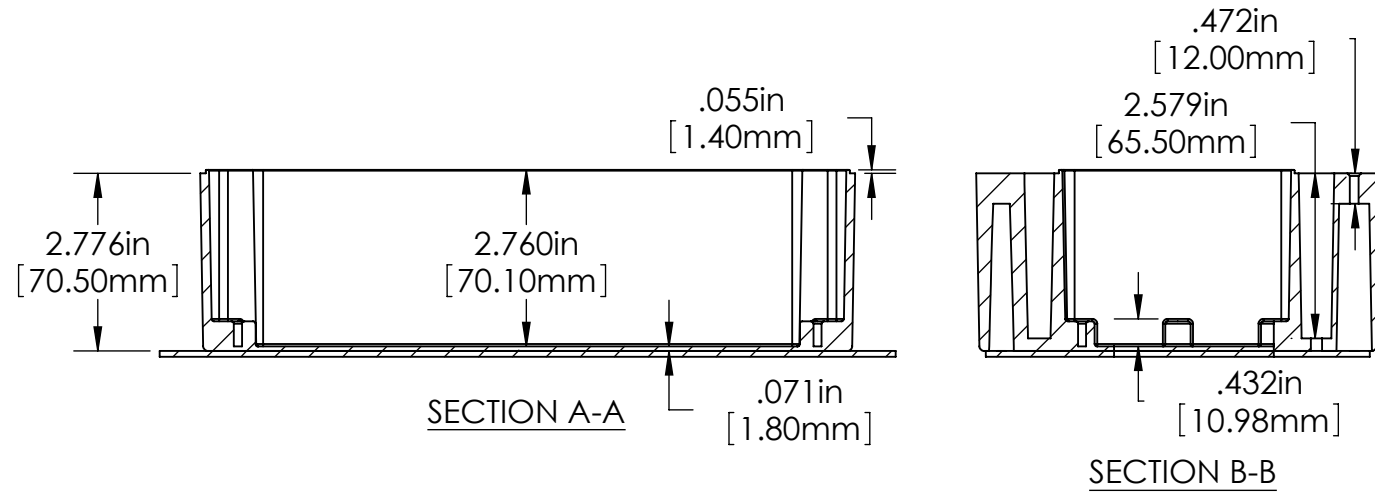
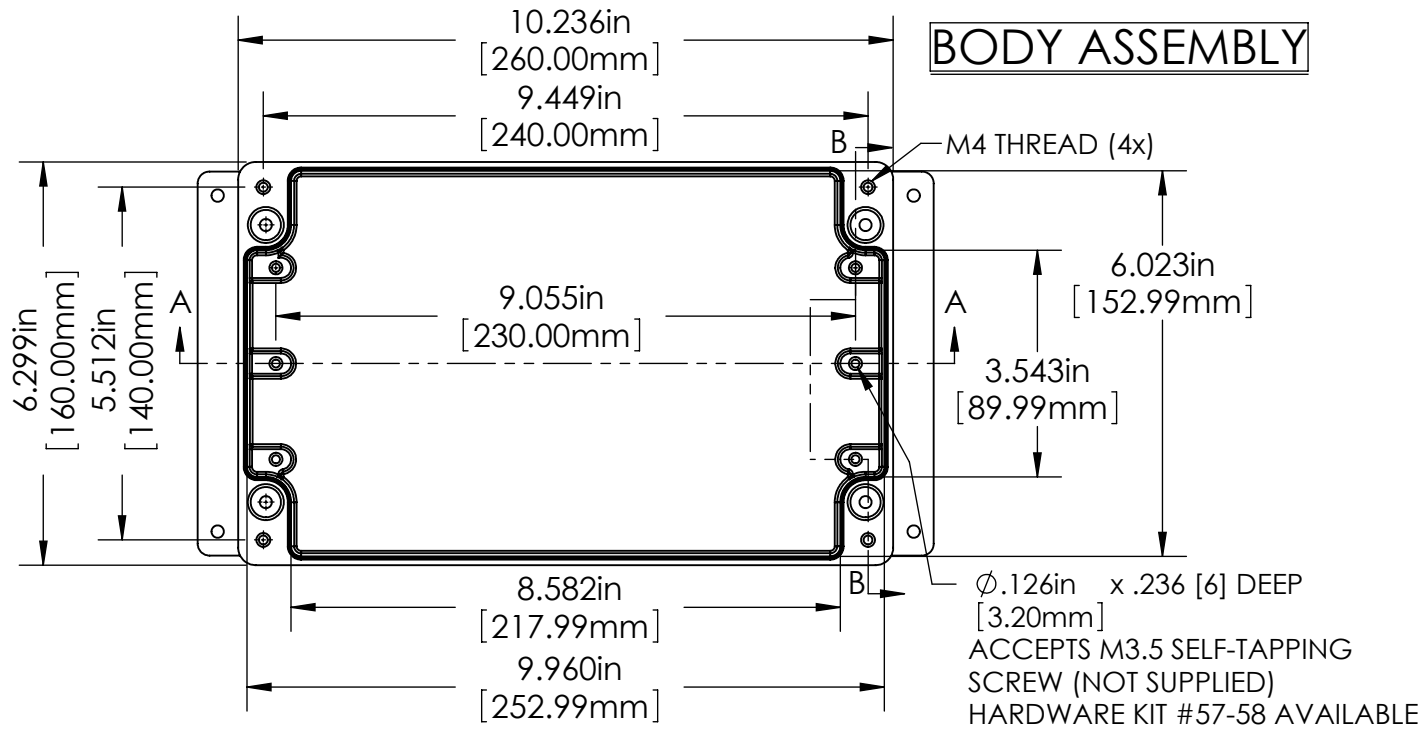
NEMA 4X DIE CAST ALUMINUM ENCLOSURE

PART No.

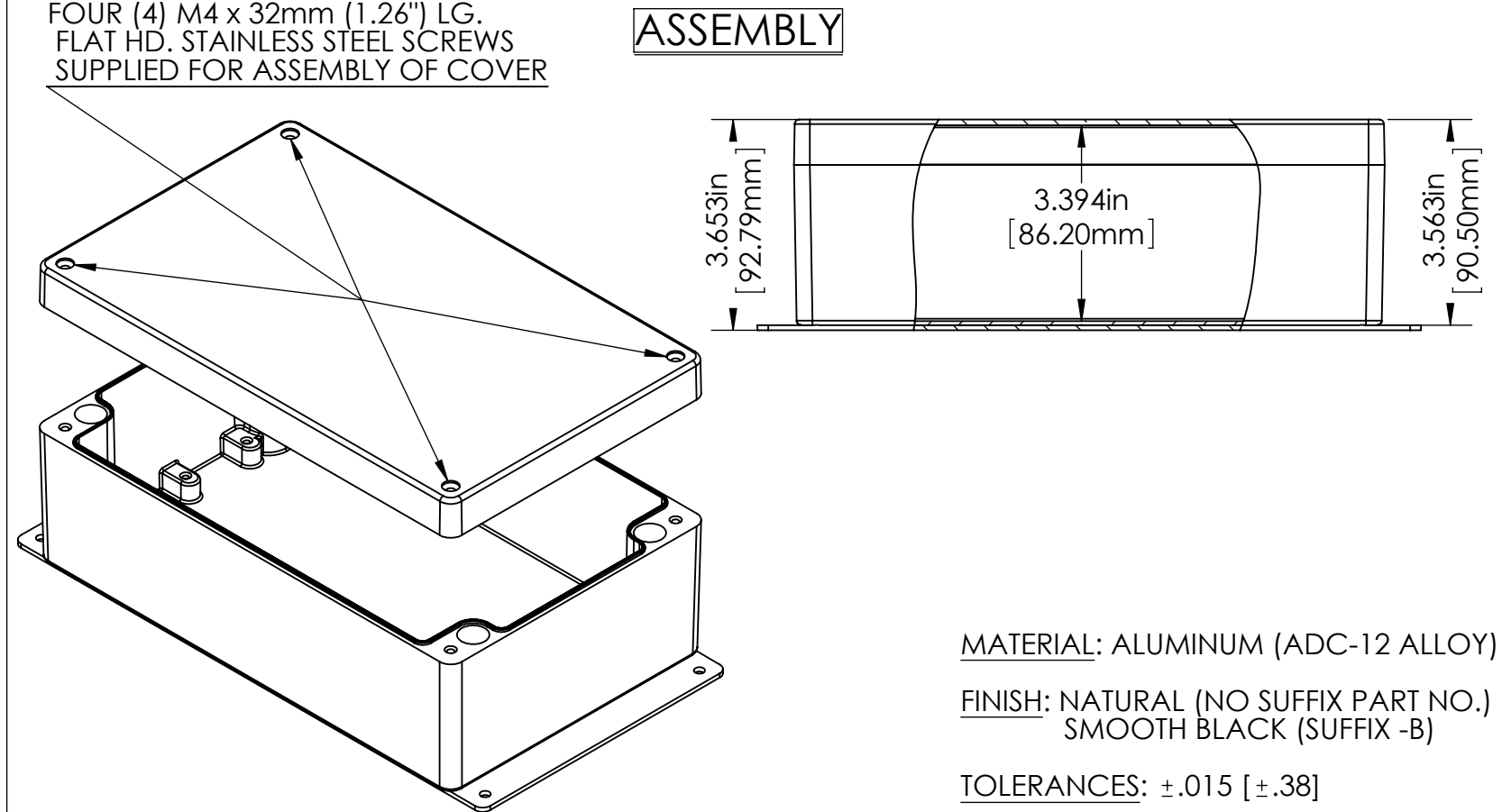
AN-2823

AN-2823-B

REVISION DATE 8/17/2010



FOUR (4) M4 x 32mm (1.26") LG. FLAT HD. STAINLESS STEEL SCREWS SUPPLIED FOR ASSEMBLY OF COVER



MATERIAL: ALUMINUM (ADC-12 ALLOY)
FINISH: NATURAL (NO SUFFIX PART NO.)
 SMOOTH BLACK (SUFFIX -B)
TOLERANCES: ±.015 [±.38]

Authorized Distribution Brand :



Website :

Welcome to visit www.ameya360.com

Contact Us :

➤ Address :

401 Building No.5, JiuGe Business Center, Lane 2301, Yishan Rd
Minhang District, Shanghai , China

➤ Sales :

Direct +86 (21) 6401-6692

Email amall@ameya360.com

QQ 800077892

Skype ameyasales1 ameyasales2

➤ Customer Service :

Email service@ameya360.com

➤ Partnership :

Tel +86 (21) 64016692-8333

Email mkt@ameya360.com