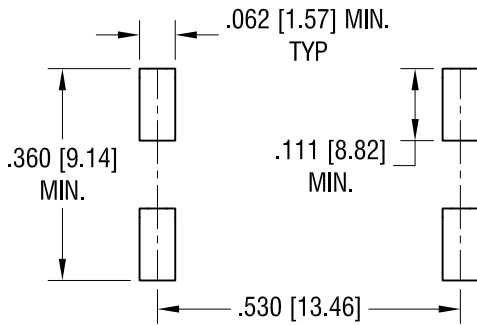
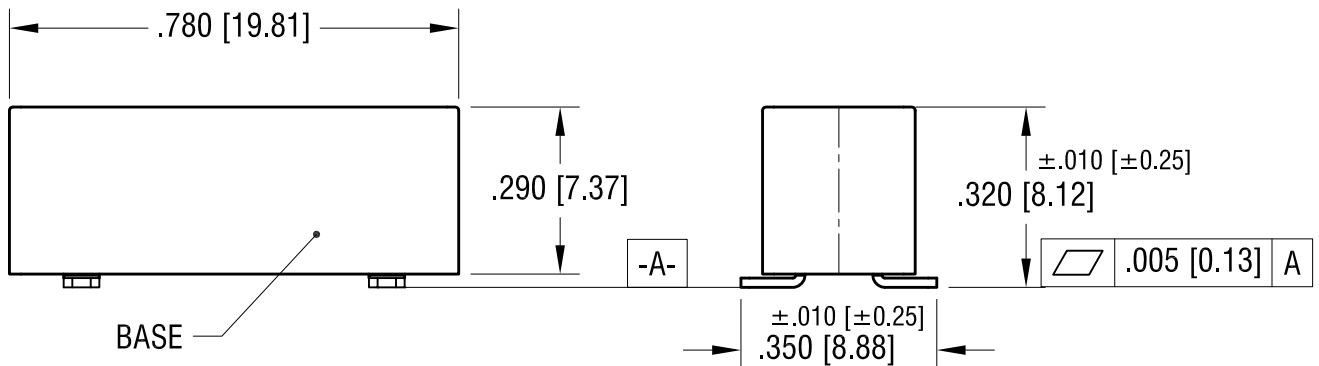
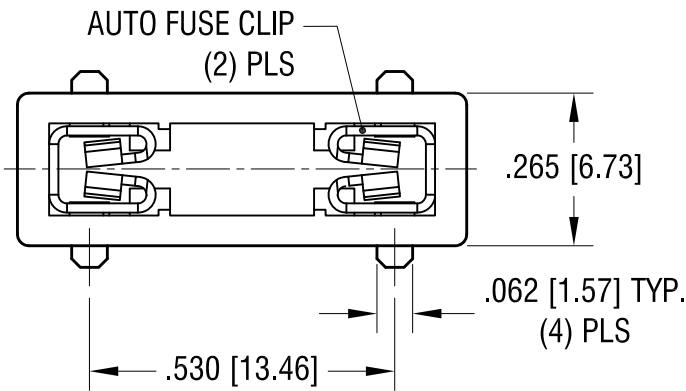
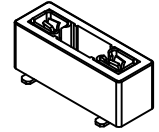


THIS DOCUMENT IS THE PROPERTY OF  
KEYSTONE ELECTRONICS CORP. AND  
SHALL NOT BE REPRODUCED, DISTRIBUTED  
OR USED AS A BASIS FOR MANUFACTURE  
WITHOUT PRIOR WRITTEN PERMISSION  
FROM KEYSTONE ELECTRONICS CORP.

**MOUNTING DETAIL**



**ACTUAL SIZE**



**NOTE:**

1. BASE: MAT'L:

MAT'L: HEAT RESISTANCE NYLON  
STANYL 46 OR EQUIVALENT

CLIP: MAT'L: .016 [0.40] TH'K BRASS,  
MATTE TIN PLATE

3.13.15	CHANGE AS PER ECN 15-030	D
12.19.13	CHANGE AS PER ECN 13-115	C
6.17.10	CHANGE AS PER ECN 10-042	B
10.19.09	CHANGE AS PER ECN 09-150	A
DATE	DESCRIPTION	REV.

<b>KEYSTONE ELECTRONICS CORP.</b>			
www.keyelco.com • ASTORIA, N.Y. 11105-2017 • Tel (718) 956-8900			
PART NAME		SM AUTO-FUSE HOLDER	
MATERIAL			
AS NOTED			
FINISH		DRN BY	DATE
AS NOTED		NT	7.10.09
		APP'D	SCALE
		LN	3X
TOLERANCES	INCH [MM]	CODE	DWG NO.
DECIMAL	±.005 [±0.13]	C	<b>3587</b>
ANGULAR	± 1°		
UNLESS OTHERWISE SPECIFIED			

# AMEYA360

## Components Supply Platform

Authorized Distribution Brand :



Website :

Welcome to visit [www.ameya360.com](http://www.ameya360.com)

Contact Us :

➤ Address :

401 Building No.5, JiuGe Business Center, Lane 2301, Yishan Rd  
Minhang District, Shanghai , China

➤ Sales :

Direct +86 (21) 6401-6692

Email [amall@ameya360.com](mailto:amall@ameya360.com)

QQ 800077892

Skype [ameyasales1](#) [ameyasales2](#)

➤ Customer Service :

Email [service@ameya360.com](mailto:service@ameya360.com)

➤ Partnership :

Tel +86 (21) 64016692-8333

Email [mkt@ameya360.com](mailto:mkt@ameya360.com)