

D

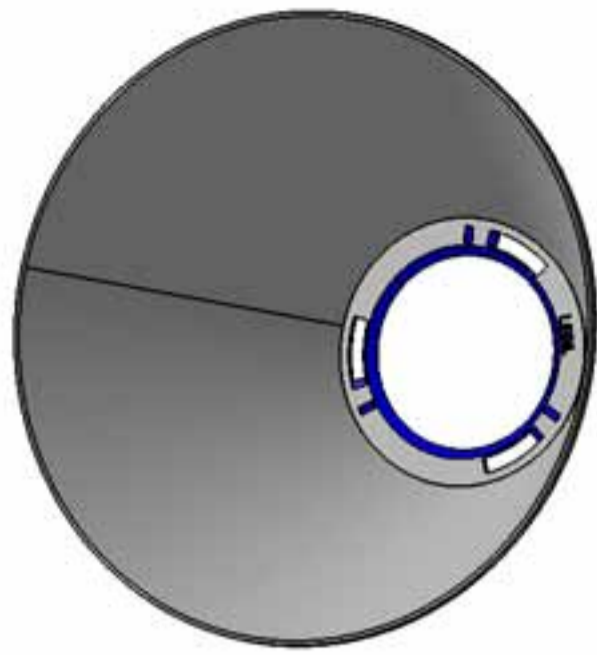
C

B

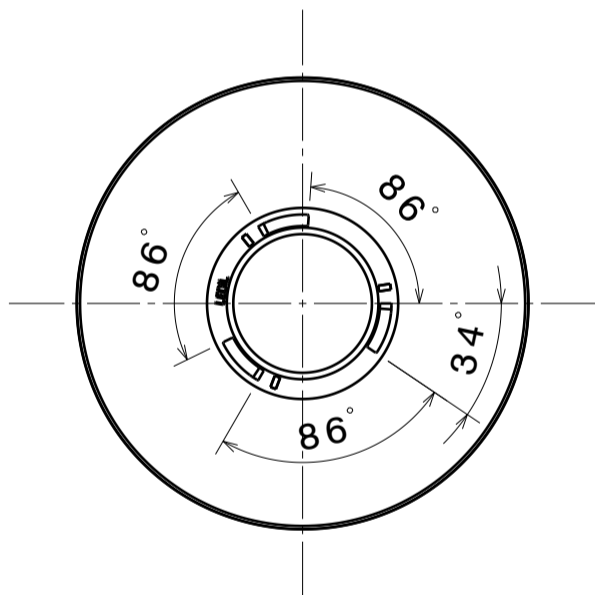
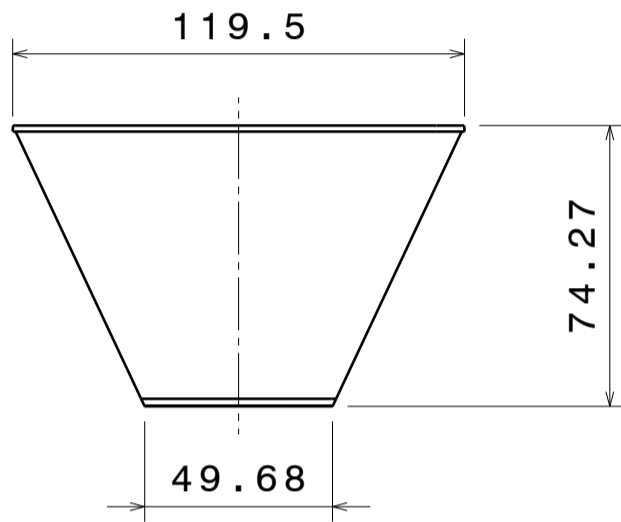
A

8
7
6
5
4
3
2
1

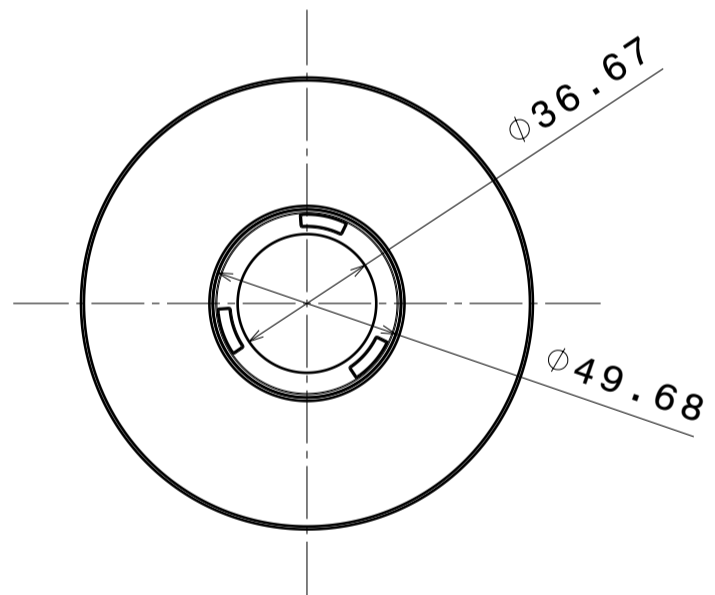
8
7
6
5
4
3
2
1



ISOMETRIC VIEW



TOP VIEW



BOTTOM VIEW

Tolerances if not otherwise shown
According to DIN ISO 2768-1
Linear measures:
Up to 30mm class M, otherwise class C.
According to DIN ISO 2768-2
Form and position: class L

THIRD ANGLE PROJECTION:

This drawing is the property
of LEDiL Oy. It may not be
reproduced, copied or
communicated without a written
agreement with LEDiL Oy."

		LediL Oy Salorankatu 10 FIN 24240 SALO Finland	
DRAWING TITLE ANGELA_Datasheet			
SIZE	PART NUMBER		
A3	-		
SCALE	1:1	WEIGHT	-
SHEET			1/1

D

A

AMEYA360

Components Supply Platform

Authorized Distribution Brand :



Website :

Welcome to visit www.ameya360.com

Contact Us :

➤ Address :

401 Building No.5, JiuGe Business Center, Lane 2301, Yishan Rd
Minhang District, Shanghai , China

➤ Sales :

Direct +86 (21) 6401-6692

Email amall@ameya360.com

QQ 800077892

Skype [ameyasales1](#) [ameyasales2](#)

➤ Customer Service :

Email service@ameya360.com

➤ Partnership :

Tel +86 (21) 64016692-8333

Email mkt@ameya360.com