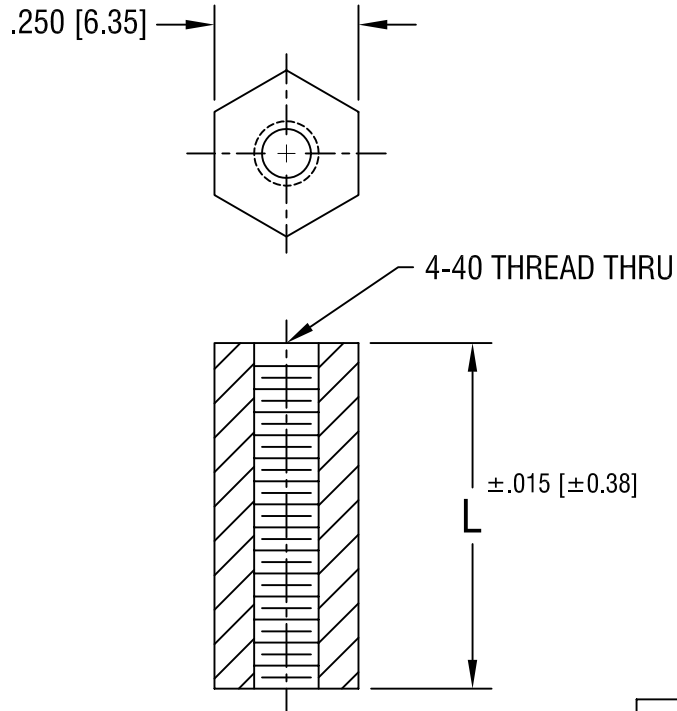


THIS DOCUMENT IS THE PROPERTY OF KEYSTONE ELECTRONICS CORP. AND SHALL NOT BE REPRODUCED, DISTRIBUTED OR USED AS A BASIS FOR MANUFACTURE WITHOUT PRIOR WRITTEN PERMISSION FROM KEYSTONE ELECTRONICS CORP.



PART NO.	'L' DIM.
8440A	.250 [6.35]
8440B	.375 [9.52]
8440C	.500 [12.70]
8440D	.625 [15.87]
8440E	.750 [19.05]
8440F	.875 [22.22]
8440G	1.000 [25.4]

<b>KEYSTONE ELECTRONICS CORP.</b>			
ASTORIA, N.Y. 11105-2017			
PART NAME HEX STANDOFF, FLAME RETARDANT			
MATERIAL NYLON 6/6 UL 94V-0			
FINISH -		DRN BY BOONE	DATE 1.25.96
		APPD LN	SCALE 3X
TOLERANCES INCH [MM] DECIMAL ±.005 [±0.15] ANGULAR ± 1° UNLESS OTHERWISE SPECIFIED		CODE C/M	DWG NO. <b>8440-</b>

DATE	DESCRIPTION	REV.

# AMEYA360

## Components Supply Platform

Authorized Distribution Brand :



Website :

Welcome to visit [www.ameya360.com](http://www.ameya360.com)

Contact Us :

➤ Address :

401 Building No.5, JiuGe Business Center, Lane 2301, Yishan Rd  
Minhang District, Shanghai , China

➤ Sales :

Direct +86 (21) 6401-6692

Email [amall@ameya360.com](mailto:amall@ameya360.com)

QQ 800077892

Skype [ameyasales1](#) [ameyasales2](#)

➤ Customer Service :

Email [service@ameya360.com](mailto:service@ameya360.com)

➤ Partnership :

Tel +86 (21) 64016692-8333

Email [mkt@ameya360.com](mailto:mkt@ameya360.com)