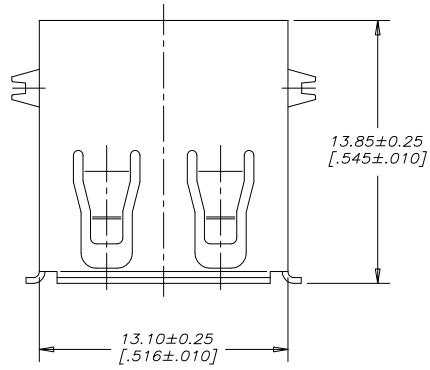


| REVISIONS | | | |
|-----------|----------------------------|----------|-------|
| REV | DESCRIPTION, ECN, EAR NO. | DATE | APP'D |
| C | PRODUCT DRAWING (EAR14178) | MAR20/13 | K.L. |

TOP VIEW



AMPHENOL PART NUMBER: U E 2 7 - A C X 4 - X 0 X

SERIES
 UE27 = USB 2.0 RECEPTACLE, RoHS COMPLIANT

TYPE
 A = SERIES A

STYLE
 C = RIGHT ANGLE PCB

CONTACT PLATING OPTION
 5 = 0.76 MICRONS [30µin] MIN. GOLD OVER 1.27 MICRONS [50µin] MIN. NICKEL ON CONTACT MATING AREA.
 2.54 MICRONS [100µin] TIN PLATING ON CONTACT TAILS.
 7 = GOLD FLASH OVER 1.27 MICRONS [50µin] MINIMUM NICKEL ON CONTACT MATING AREA.
 2.54 MICRONS [100µin] TIN PLATING ON CONTACT TAILS.

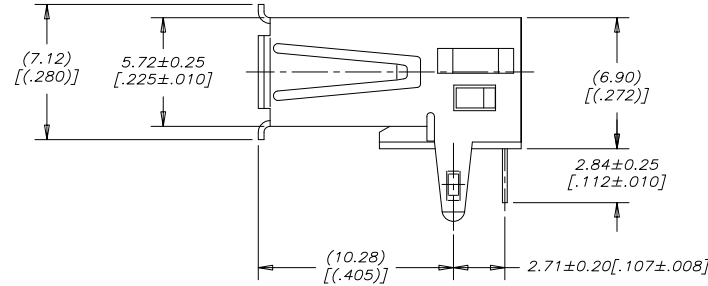
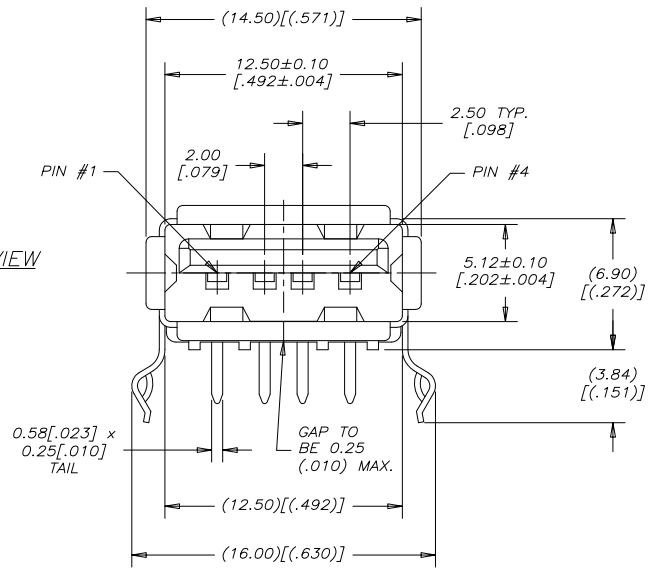
MODIFIER
 0 = PBT HOUSING
 H = HIGH TEMPERATURE HOUSING (MAXIMUM TEMPERATURE RATING 260°C FOR 10s)

SHIELDING STYLE
 0 = NO REAR SHIELD

COLOUR
 1 = BLACK
 2 = BEIGE (AVAILABLE FOR PBT HOUSING ONLY)

NUMBER OF CONTACTS
 4 = 4 CONTACTS

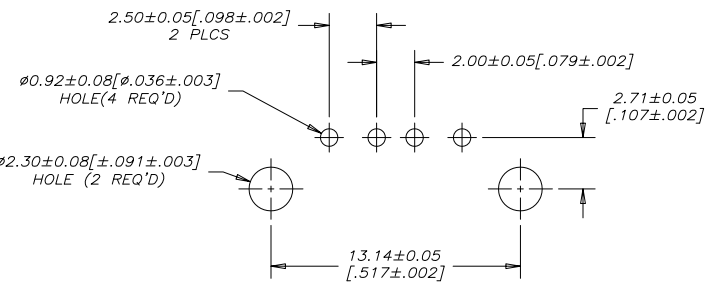
FRONT VIEW



SIDE VIEW

NOTES:

- ALL PARTS ARE RoHS COMPLIANT PER EU DIRECTIVE 2011/65/EU AND AMENDMENTS
- HOUSING: ENGINEERING THERMOPLASTIC, FLAMMABILITY RATING UL94V-0., SEE PART NUMBER ORDERING CODE FOR OPTIONS.
- CONTACTS: COPPER ALLOY. CONTACT PLATING: SEE PART NUMBER ORDERING CODE FOR OPTIONS.
- SHELL: COPPER ALLOY. PLATING: NICKEL OVER COPPER UNDERPLATE.



RECOMMENDED PC BOARD LAYOUT
 COMPONENT SIDE OF BOARD



| | | |
|----------------------------|-------------------------|----------------------|
| UNLESS SPECIFIED OTHERWISE | DRAWN CHIGOW XU | 05/12/05 |
| PRIMARY UNITS MILLIMETERS | CHECKED PAUL WANG | 05/12/05 |
| SECONDARY INCHES | M.E. APP'D | |
| REFERENCE IN PARENTHESES | Q.A. APP'D | |
| GENERAL TOLERANCES | DWG APP'D | |
| 1 DECIMAL PLACE | ENG. REL. NO. EAR 12884 | |
| 2 DECIMAL PLACES ±0.25 | REF. | |
| 3 DECIMAL PLACES | THIRD ANGLE PROJECTION | DO NOT SCALE DRAWING |
| ANGULAR DEGREES | | |

Amphenol Canada Corp.
 www.amphenolcanada.com

UE27 SERIES USB RECEPTACLE, SERIES A, RIGHT ANGLE PCB TAIL, RoHS COMPLIANT

DWG NO. P-UE27-ACX4-X0X

REV C

CODE ID NO. 03554 | DWG SIZE X | SCALE 5:1 | SHEET 1 OF 1

AMEYA360

Components Supply Platform

Authorized Distribution Brand :



Website :

Welcome to visit www.ameya360.com

Contact Us :

➤ Address :

401 Building No.5, JiuGe Business Center, Lane 2301, Yishan Rd
Minhang District, Shanghai , China

➤ Sales :

Direct +86 (21) 6401-6692

Email amall@ameya360.com

QQ 800077892

Skype [ameyasales1](#) [ameyasales2](#)

➤ Customer Service :

Email service@ameya360.com

➤ Partnership :

Tel +86 (21) 64016692-8333

Email mkt@ameya360.com