



**UNIVERSAL SERIAL BUS: KMBX Series**  
Mini USB B Type Socket

**Product Features**

- Overall Size 1/3 of Standard USB
- Surface Mount
- Indentations for Grounding and Mating Retention
- Meets USB 2.0 Specification
- Contact Area with Gold Plating
- CSA/NRTL/US Certified File No. LR78160
- UL File No. E134345

**Performance Specifications**

**Materials and Finish**

- Insulator**  
High Temperature Thermoplastic, UL94V-0 Rated
- Contacts**  
Phosphor Bronze
- Plating**  
30µ" Gold on Contact Area 3.8µm (150µ")  
Tin over Solder Tail, all over 1.27µm (50µ") Nickel
- Shell**  
Copper Alloy, Tin Plating

**Electrical Characteristics**

- Rated Voltage:** 30V AC (rms)
- Rated Current:** 1A
- Contact Resistance:** 50 milliohms Max
- Insulation Resistance:** 100 Megohms Min.
- Dielectric Withstanding Voltage:** 100V AC
- Operating Temperature:** See Drawing

2D Drawing	IGES	STEP	3D PDF
Solder Profile	CofC RoHS Compliant	CofC REACH Compliant	UL Plastic File
Certificate of Origin	Check Stock	Request a Sample	Send Us An Email

Generated Part Number



Part Number Builder

Series - Mounting Option - No. of Contacts - Shield Option - Plating Option - Packaging Option

**Series**

KMBX - Mini USB B Type

**Mounting Option**

SMT - Surface Mount with Locating Posts

**Number of Contacts**

5S - 5 Pin Socket

**Shield Option**

S - Shielded

**Plating Option**

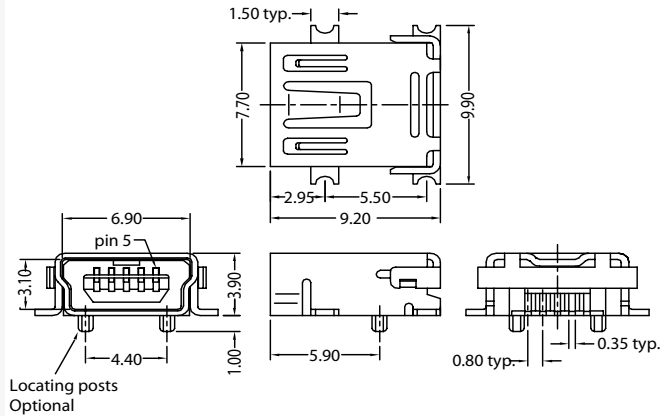
30 - 30µ" Gold Plating

**Packaging**

TR - Tape and Reel

**KMBX-SMT Series**

Dimensions in mm



# AMEYA360

## Components Supply Platform

Authorized Distribution Brand :



Website :

Welcome to visit [www.ameya360.com](http://www.ameya360.com)

Contact Us :

➤ Address :

401 Building No.5, JiuGe Business Center, Lane 2301, Yishan Rd  
Minhang District, Shanghai , China

➤ Sales :

Direct +86 (21) 6401-6692

Email [amall@ameya360.com](mailto:amall@ameya360.com)

QQ 800077892

Skype [ameyasales1](#) [ameyasales2](#)

➤ Customer Service :

Email [service@ameya360.com](mailto:service@ameya360.com)

➤ Partnership :

Tel +86 (21) 64016692-8333

Email [mkt@ameya360.com](mailto:mkt@ameya360.com)