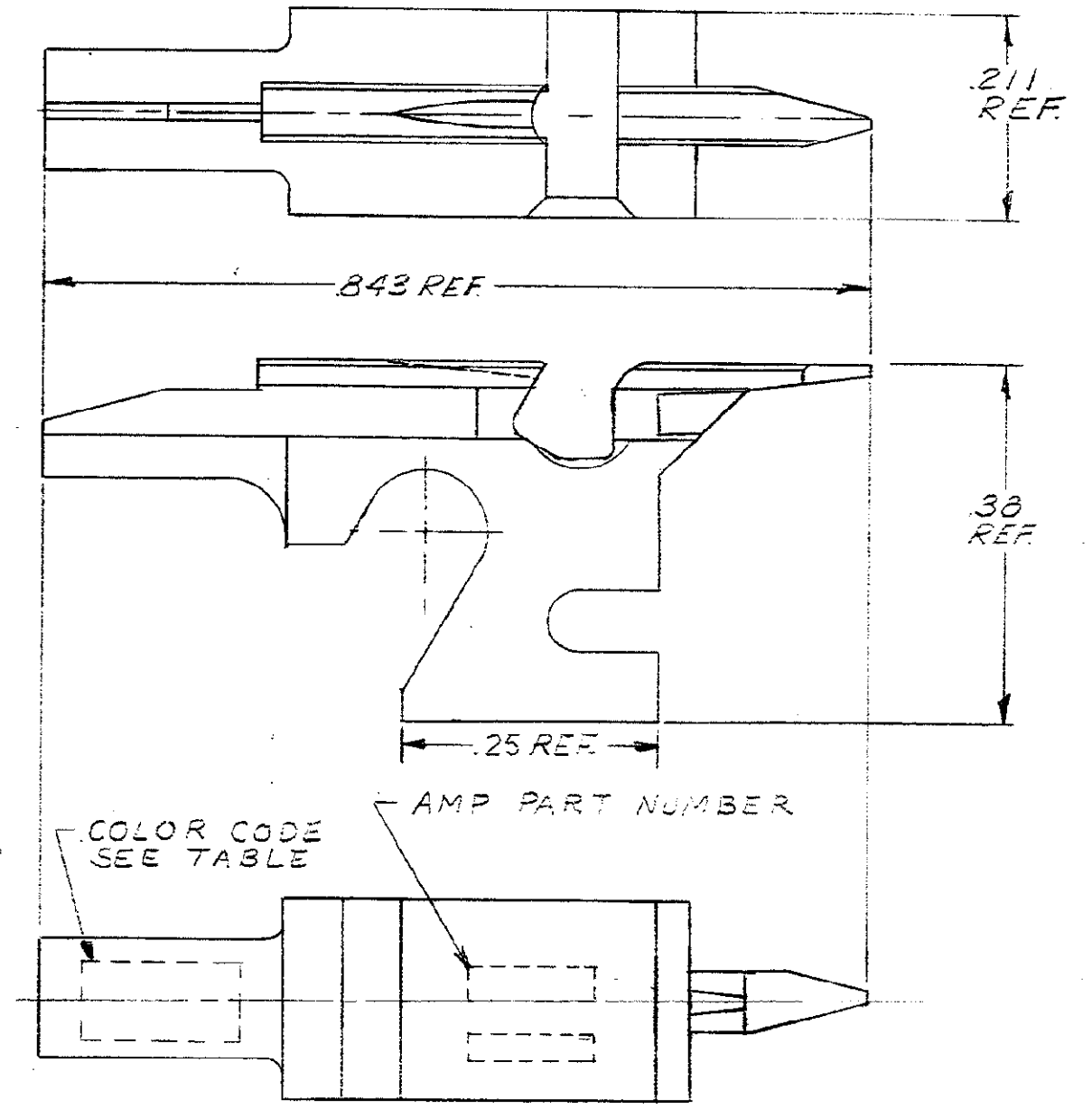


PART NUMBER	FIRST USED	AWG	INS RANGE		COLOR CODE
			MAX.	MIN.	
69411	69525-1 69526-2	24	.065	.046	RED
69411-4	69525-1 69526-2	22	.065	.046	ORANGE
69411-7	69525-1 69526-2	22	.065	.046	ORANGE
1-69411-0	69525-1 69526-2	24	.065	.046	RED
1-69411-1	69525-1 69526-2	26	.065	.046	BROWN
1-69411-2	69525-1 69526-2	24	.065	.046	RED
1-69411-3	69525-1 69526-2	24	.065	.046	RED
1-69411-4	69525-1 69526-2	22	.065	.046	ORANGE
1-69411-5	69525-1 69526-2	24	.065	.046	RED
1-69411-6	69525-1 69526-2	22	.065	.046	ORANGE
1-69411-8	69525-1 69526-2	24	.065	.046	RED
1-69411-9	69525-1 69526-2	26	.065	.046	BROWN



DIMENSIONS IN INCHES. DO NOT SCALE PRINT.

PRINT DIST  
8

REVISION	DESCRIPTION	DATE	BY	CHK
C	REVISED	1-27-75	B.S.	
B	REVISED	12-20-71	FN	
A	REVISED	5-9-68	PL	

NUMBER	DESCRIPTION	REQUIRED PER ASSEMBLY
69411		

DWG SIZE		UNPUBLISHED COPY SHOULD BE REPRODUCED AND PUBLISHED		REMARKS		ITEM NO	
DR B. Shenfeld 4-5-68		MATERIAL AND COATING STEEL ELECTROLESS NICKEL		CLASS + + +		CUSTOMER COPY REFERENCE ONLY	
CHK E. J. Link 4-9-68		WIRE - RANGE - INSULATION SEE TABLE SEE TABLE		TYPE TERMI-POINT		AMP INCORPORATED HARRISBURG, PENNA.	
DE		TOLERANCE EXCEPT AS NOTED ± .015 ± 1° 0'		SCALE 1/4"		LOC M B NO 69411 REV C	
NAME		MANDREL					

## Authorized Distribution Brand :



## Website :

Welcome to visit [www.ameya360.com](http://www.ameya360.com)

## Contact Us :

### ➤ Address :

401 Building No.5, JiuGe Business Center, Lane 2301, Yishan Rd  
Minhang District, Shanghai , China

### ➤ Sales :

Direct +86 (21) 6401-6692

Email [amall@ameya360.com](mailto:amall@ameya360.com)

QQ 800077892

Skype ameyasales1 ameyasales2

### ➤ Customer Service :

Email [service@ameya360.com](mailto:service@ameya360.com)

### ➤ Partnership :

Tel +86 (21) 64016692-8333

Email [mkt@ameya360.com](mailto:mkt@ameya360.com)