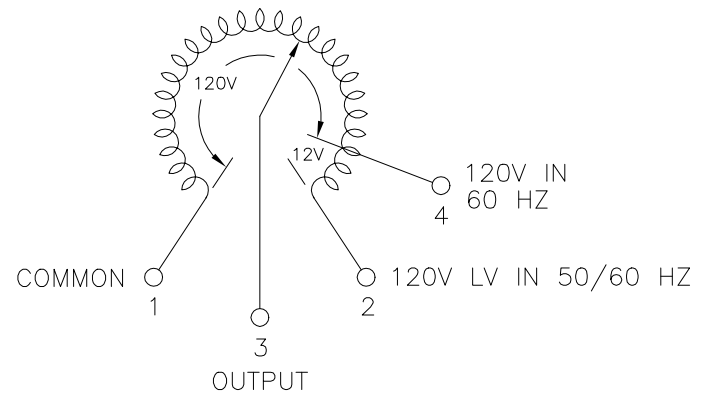
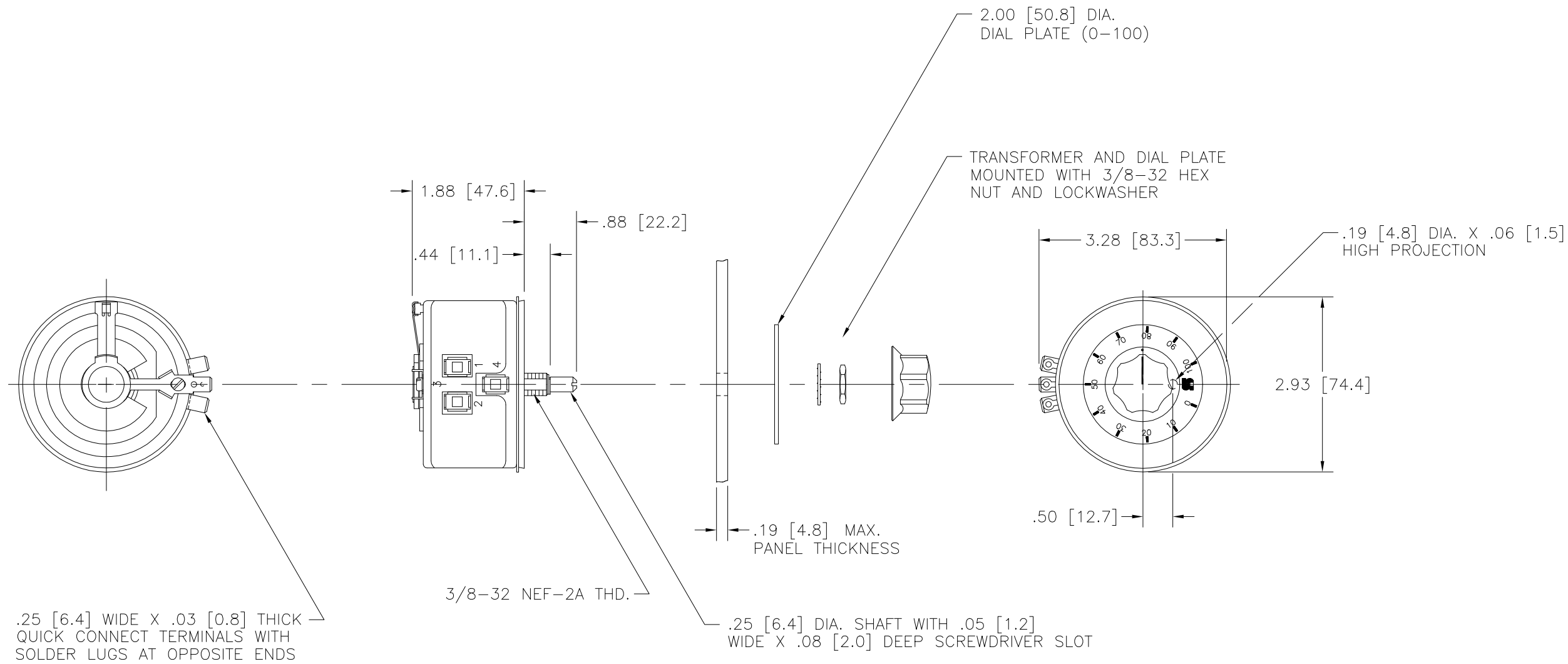
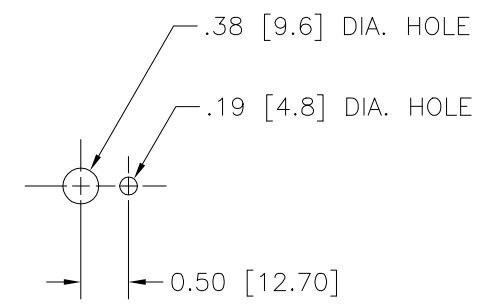


DWG. NO.	031-0201		
REVISIONS			
SYM.	E.C.N.	DATE	APVD.
D	21877	6/12/92	REDRAWN W/NEW KNOB
E	22518	3/3/94	DIM. 2.93 WAS 2.80



SCHMATIC
VIEWED FROM BASE END



PANEL MTG. DETAIL

SPECIFICATIONS											
WIRING	INPUT		OUTPUT				SHAFT ROTATION TO INCREASE VOLTAGE	TERMINAL CONNECTIONS			
	VOLTS	HERTZ	VOLTS	CONSTANT CURRENT LOAD		CONSTANT IMPEDANCE LOAD		FOR INCREASING VOLTAGE AS VIEWED FROM BASE END			
				MAX. AMPS	MAX. KVA	MAX. AMPS		MAX. KVA	INPUT	JUMPER	OUTPUT
SINGLE PHASE	120	50/60	0-120	2.0	0.24	2.5	0.30	CW	1-2	---	1-3
		60	0-132	2.0	0.26	---	---	CCW	1-2	---	2-3
									CW	1-4	---

UNLESS OTHERWISE SPECIFIED, TOLERANCE IS # DECIMALS .XX .004 .002 .001 .0005 Holes .002 .001 .0005 ANGLES 1° 1-1/2° DRAFT 1° 1-1/2° UNITS IN [mm]

MATERIAL: ALL DIMENSIONS APPLY AFTER PLATING

TITLE: SPEC. CONTROL DWG. VARIABLE TRANSFORMER TYPE: 201

STACO ENERGY PRODUCTS CO. DAYTON, OHIO U.S.A.

DRAWN BY	DATE	FIRST USED ON	DO NOT SCALE DWG.	CUSTOMER APPROVAL	DATE
K. TOLLIVER	1/27/92	031-0201			
CHECKER	DATE	WEIGHT APPROX.	CODE IDENT. NO.	DWG. NO.	DWG. NO.
		2 LBS.	83008	D	031-0201
ENGINEER	DATE	SCALE	SHEET 1 OF 1		
		1=1			

Authorized Distribution Brand :



Website :

Welcome to visit www.ameya360.com

Contact Us :

➤ Address :

401 Building No.5, JiuGe Business Center, Lane 2301, Yishan Rd
Minhang District, Shanghai , China

➤ Sales :

Direct +86 (21) 6401-6692

Email amall@ameya360.com

QQ 800077892

Skype ameyasales1 ameyasales2

➤ Customer Service :

Email service@ameya360.com

➤ Partnership :

Tel +86 (21) 64016692-8333

Email mkt@ameya360.com