

MICRO SWITCH

A DIVISION OF MINNEAPOLIS-HONEYWELL REGULATOR COMPANY

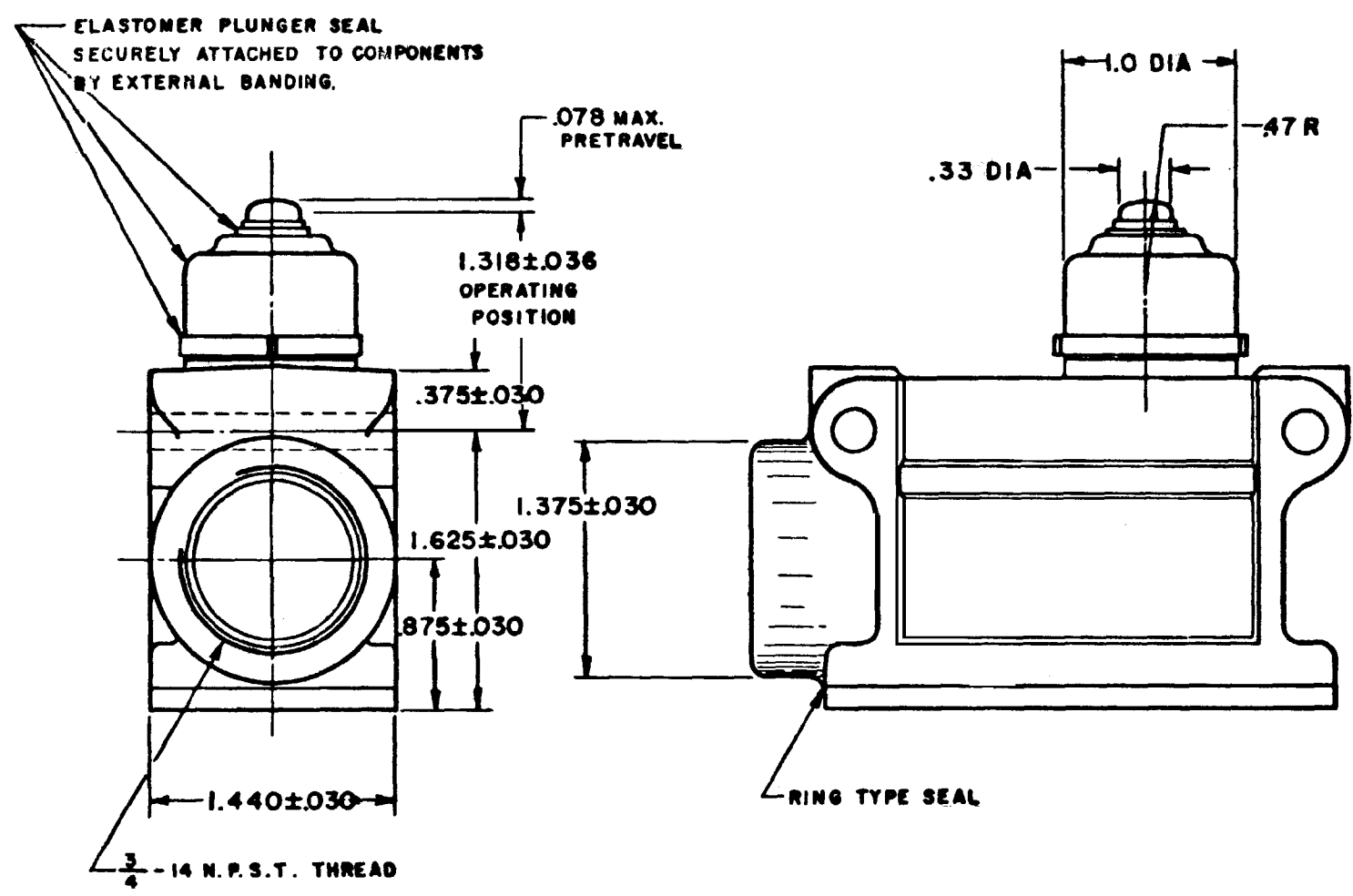
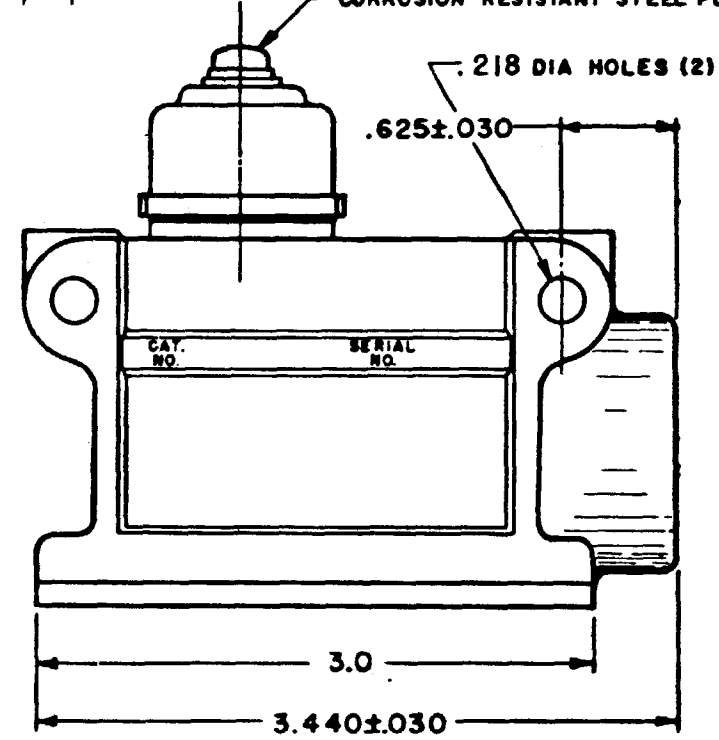
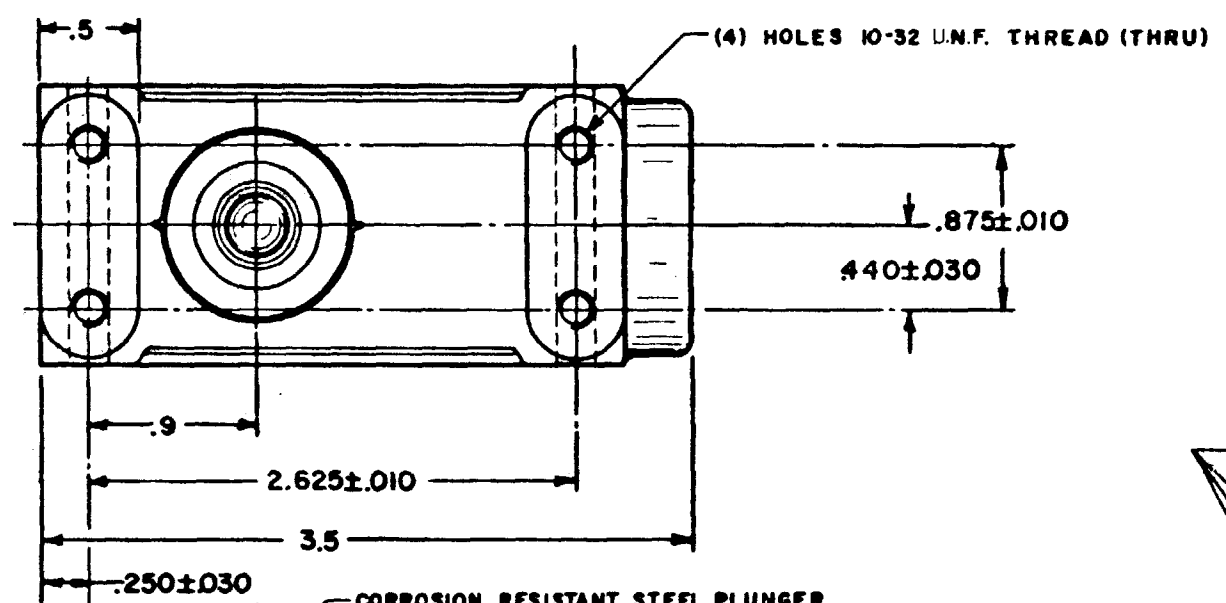
FED. MFR. CODE 91929

SWITCH - ENCLOSED

CATALOG LISTING

9-11585

9-11585
 DRAWING NUMBER
 ISSUE 17
 REVISIONS
 A CO 46881 G J W 28 JAN 80
 B REINST PR-8532 G J W 7 MAR 80
 C CO65062 S L B 16 APR 90
 D 204537 G J W DEC 01
 E 0007749 TCC-AP SEP 04
 F 0040541 NR 12 JUN 08
 G J W 7 MAR 80
 CHECK C E B B MAR 80
 CHECK CMH 12 JUN 08
 CHECK PR-8532
 REPLACES
 50378 003 DRAWN



THIS DRAWING COVERS A PROPRIETARY ITEM AND IS THE PROPERTY OF MICRO SWITCH, A DIVISION OF MINNEAPOLIS-HONEYWELL REGULATOR CO. THIS DRAWING IS NOT TO BE COPIED OR USED WITHOUT THE APPROVAL OF MICRO SWITCH.

CHARACTERISTICS	ELECTRICAL DATA		SCALE FULL
OPERATING FORCE ----- 28-54 OZ	CONTACT ARRANGEMENT	BREAK DISTANCE	DO NOT SCALE PRINT
DIFFERENTIAL TRAVEL ----- .005 MAX	S P D T	.070 MIN	UNLESS OTHERWISE SPECIFIED
RELEASE FORCE ----- 10 OZ MIN			DIMENSIONS ARE IN INCHES
			TOLERANCES ARE
OVERTRAVEL ----- .188 MIN			ONE PLACE (.0) ±.050
FULL OVERTRAVEL FORCE ----- 13 LB MAX			TWO PLACE (.00) ±.015
			THREE PLACE (.000) ±.008
			ANGLES ±
			WEIGHT

NOTE
1 - ALUMINUM ENCLOSURE FINISHED WITH PRIMER

Authorized Distribution Brand :



Website :

Welcome to visit www.ameya360.com

Contact Us :

➤ Address :

401 Building No.5, JiuGe Business Center, Lane 2301, Yishan Rd
Minhang District, Shanghai , China

➤ Sales :

Direct +86 (21) 6401-6692

Email amall@ameya360.com

QQ 800077892

Skype ameyasales1 ameyasales2

➤ Customer Service :

Email service@ameya360.com

➤ Partnership :

Tel +86 (21) 64016692-8333

Email mkt@ameya360.com