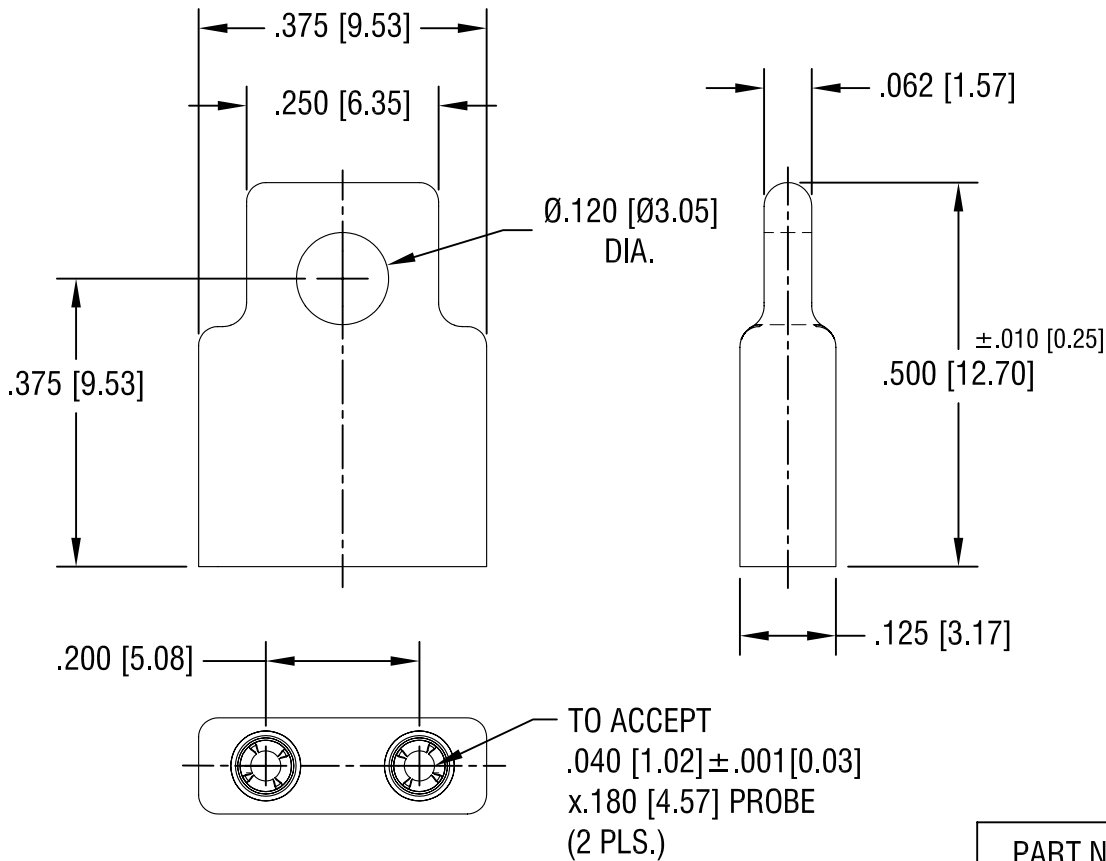
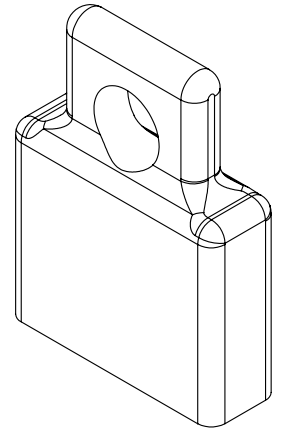


THIS DOCUMENT IS THE PROPERTY OF  
KEYSTONE ELECTRONICS CORP. AND  
SHALL NOT BE REPRODUCED, DISTRIBUTED  
OR USED AS A BASIS FOR MANUFACTURE  
WITHOUT PRIOR WRITTEN PERMISSION  
FROM KEYSTONE ELECTRONICS CORP.



PART NO.	COLOR
1487L	BLUE
1487R	RED
1487B	BLACK

NOTES:

1. HOUSING: POLYPROPYLENE, 30% GLASS FILLED
2. SHELL: BRASS, GOLD PLATE
3. CONTACT: MT'L- BERYLLIUM COPPER GOLD PLATE
4. SLIGHT SHRINK DEPRESSION ON BOTH SIDES PERMISSIBLE

DATE	DESCRIPTION	REV.
5.08.08	CHANGE AS PER ECN 08-105	B
1.14.08	CHANGE AS PER ECN 08-048	A

KEYSTONE ELECTRONICS CORP.			
ASTORIA, N.Y. 11105-2017			
PART NAME MOLDED SHORTING JACK			
MATERIAL AS NOTED			
FINISH AS NOTED		DRN BY NT	DATE 10.26.07
		APP'D LN	SCALE 4X
TOLERANCES	INCH [MM]	CODE	DWG NO.
DECIMAL	± .005 [± 0.15]	C	1487-
ANGULAR	± 1°		
UNLESS OTHERWISE SPECIFIED			

# AMEYA360

## Components Supply Platform

Authorized Distribution Brand :



Website :

Welcome to visit [www.ameya360.com](http://www.ameya360.com)

Contact Us :

➤ Address :

401 Building No.5, JiuGe Business Center, Lane 2301, Yishan Rd  
Minhang District, Shanghai , China

➤ Sales :

Direct +86 (21) 6401-6692

Email [amall@ameya360.com](mailto:amall@ameya360.com)

QQ 800077892

Skype [ameyasales1](#) [ameyasales2](#)

➤ Customer Service :

Email [service@ameya360.com](mailto:service@ameya360.com)

➤ Partnership :

Tel +86 (21) 64016692-8333

Email [mkt@ameya360.com](mailto:mkt@ameya360.com)