

Pin Definition:

- | | |
|-------------|------------|
| 1. Source 1 | 8. Drain 1 |
| 2. Gate 1 | 7. Drain 1 |
| 3. Source 2 | 6. Drain 2 |
| 4. Gate 2 | 5. Drain 2 |

Key Parameter Performance

Parameter	Value	Unit
V_{DS}	-20	V
$R_{DS(on)}$ (max)	$V_{GS} = -4.5V$	60
	$V_{GS} = -2.7V$	78
	$V_{GS} = -2.5V$	85
Q_g	6	nC

Features

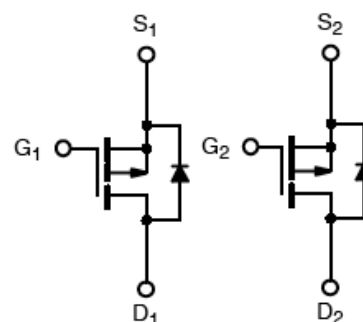
- Advance Trench Process Technology
- High Density Cell Design for Ultra Low On-resistance

Ordering Information

Part No.	Package	Packing
TSM9933DCS RL	SOP-8	2.5kps / 13" Reel
TSM9933DCS RLG	SOP-8	2.5kps / 13" Reel

Note: "G" denotes for Halogen- and Antimony-free as those which contain <900ppm bromine, <900ppm chlorine (<1500ppm total Br + Cl) and <1000ppm antimony compounds

Block Diagram



Dual P-Channel MOSFET

Absolute Maximum Ratings ($T_A=25^\circ C$ unless otherwise noted)

Parameter	Symbol	Limit	Unit
Drain-Source Voltage	V_{DS}	-20	V
Gate-Source Voltage	V_{GS}	± 12	V
Continuous Drain Current, V_{GS} @ 4.5V.	I_D	-4.7	A
Pulsed Drain Current, V_{GS} @ 4.5V	I_{DM}	-20	A
Continuous Source Current (Diode Conduction) ^(Note 1,2)	I_S	-2.5	A
Maximum Power Dissipation	P_D	$T_A=25^\circ C$	2
		$T_A=70^\circ C$	1.3
Operating Junction Temperature	T_J	+150	$^\circ C$
Operating Junction and Storage Temperature Range	T_J, T_{STG}	- 55 to +150	$^\circ C$

Thermal Performance

Parameter	Symbol	Limit	Unit
Junction to Case Thermal Resistance	$R_{\theta JC}$	30	$^\circ C/W$
Junction to Ambient Thermal Resistance (PCB mounted)	$R_{\theta JA}$	62.5	$^\circ C/W$

Electrical Specifications (T_J=25°C unless otherwise noted)

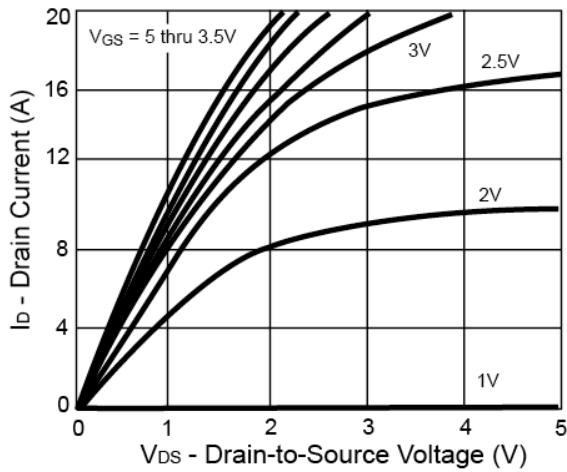
Parameter	Conditions	Symbol	Min	Typ	Max	Unit
Static (Note 3)						
Drain-Source Breakdown Voltage	V _{GS} = 0V, I _D = -250μA	BV _{DSS}	-20	--	--	V
Gate Threshold Voltage	V _{DS} = V _{GS} , I _D = -250μA	V _{GS(TH)}	-0.6	--	-1.4	V
Gate Body Leakage	V _{GS} = ±12V, V _{DS} = 0V	I _{GSS}	--	--	±100	nA
Zero Gate Voltage Drain Current	V _{DS} = -20V, V _{GS} = 0V	I _{DSS}	--	--	-1.0	μA
On-State Drain Current	V _{DS} = -5V, V _{GS} = -4.5V	I _{D(ON)}	-15	--	--	A
Drain-Source On-State Resistance	V _{GS} = -4.5V, I _D = -4.7A	R _{DS(ON)}	--	48	60	mΩ
	V _{GS} = -4.5V, I _D = -2.9A		--	47	58	
	V _{GS} = -2.7V, I _D = -1.5A		--	60	78	
	V _{GS} = -2.5V, I _D = -3.8A		--	65	85	
Forward Transconductance	V _{DS} = -10V, I _D = -4.7A	g _{fs}	--	11	--	S
Diode Forward Voltage	I _S = -1.7A, V _{GS} = 0V	V _{SD}	--	-0.8	-1.2	V
Dynamic (Note 4,5)						
Total Gate Charge	V _{DS} = -10V, I _D = -4.7A, V _{GS} = -4.5V	Q _g	--	6	9	nC
Gate-Source Charge		Q _{gs}	--	1.4	--	
Gate-Drain Charge		Q _{gd}	--	1.9	--	
Input Capacitance	V _{DS} = -10V, V _{GS} = 0V, f = 1.0MHz	C _{iss}	--	640	--	pF
Output Capacitance		C _{oss}	--	180	--	
Reverse Transfer Capacitance		C _{rss}	--	90	--	
Switching (Note 4,5)						
Turn-On Delay Time	V _{DD} = -10V, R _L = 10Ω, I _D = -1A, V _{GEN} = -4.5V, R _G = 6Ω	t _{d(on)}	--	22	35	ns
Turn-On Rise Time		t _r	--	35	55	
Turn-Off Delay Time		t _{d(off)}	--	45	70	
Turn-Off Fall Time		t _f	--	25	50	

Notes:

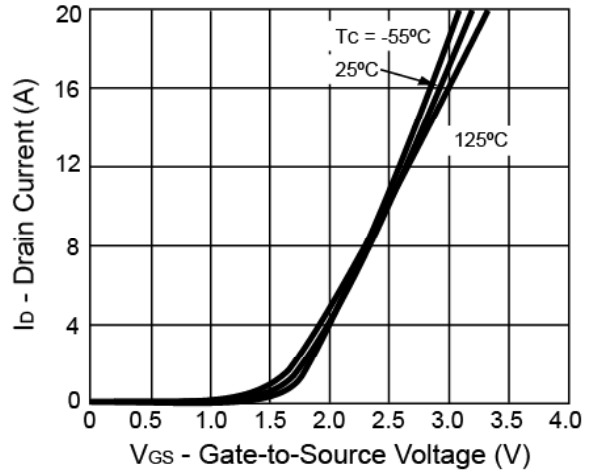
1. Pulse width limited by the Maximum junction temperature
2. Surface Mounted on FR4 Board, t ≤ 5 sec.
3. pulse test: PW ≤ 300μs, duty cycle ≤ 2%
4. For DESIGN AID ONLY, not subject to production testing.
5. Switching time is essentially independent of operating temperature.

Electrical Characteristics Curves

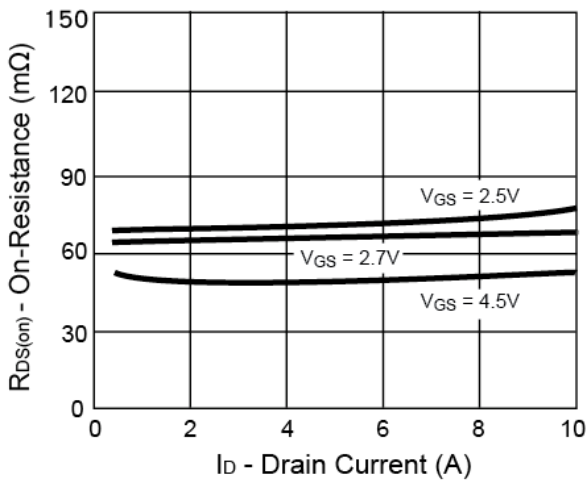
Output Characteristics



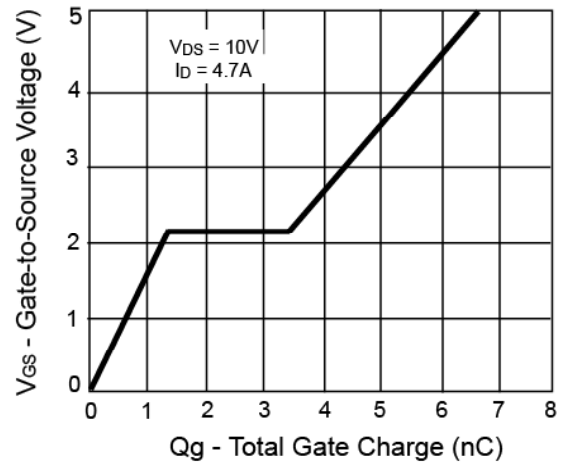
Transfer Characteristics



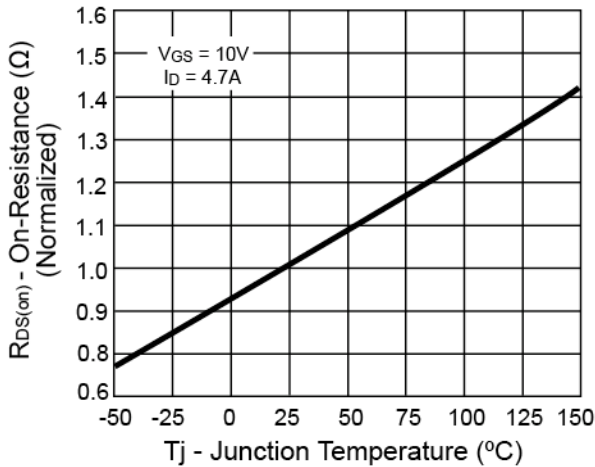
On-Resistance vs. Drain Current



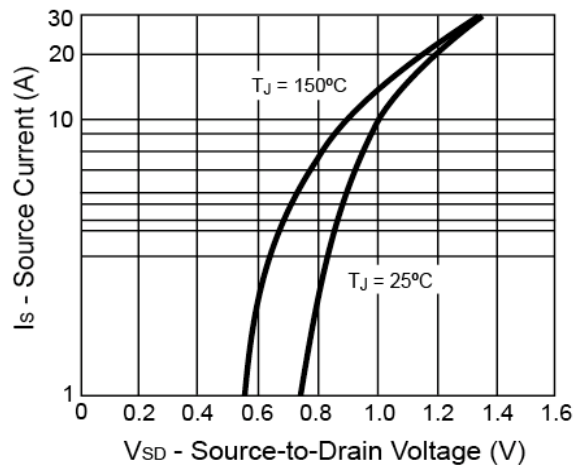
Gate Charge



On-Resistance vs. Junction Temperature

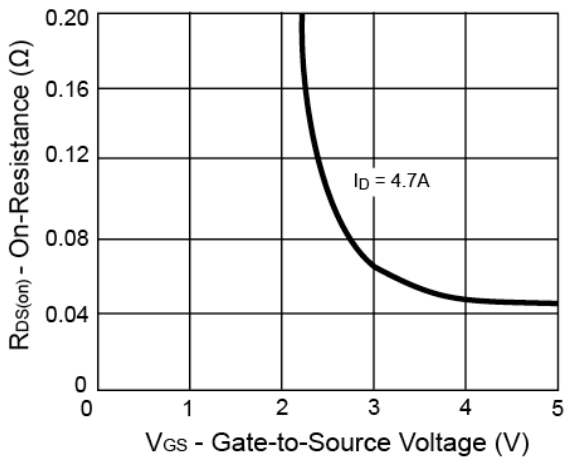


Source-Drain Diode Forward Voltage

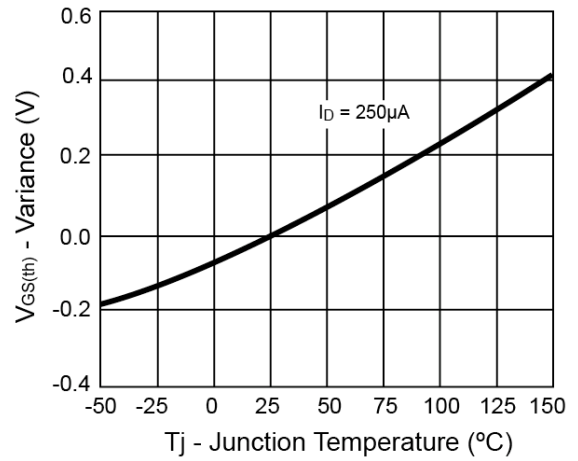


Electrical Characteristics Curves

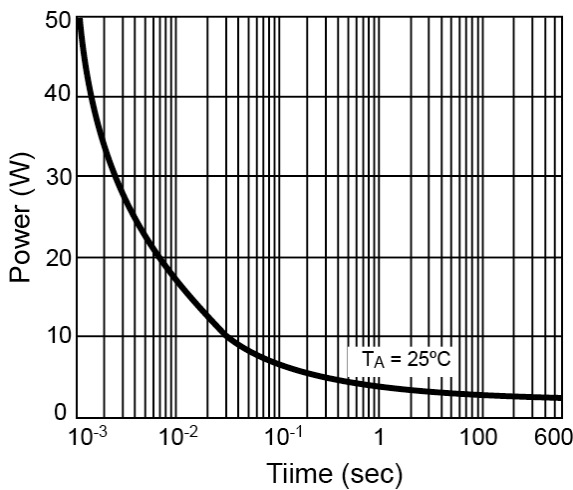
On-Resistance vs. Gate-Source Voltage



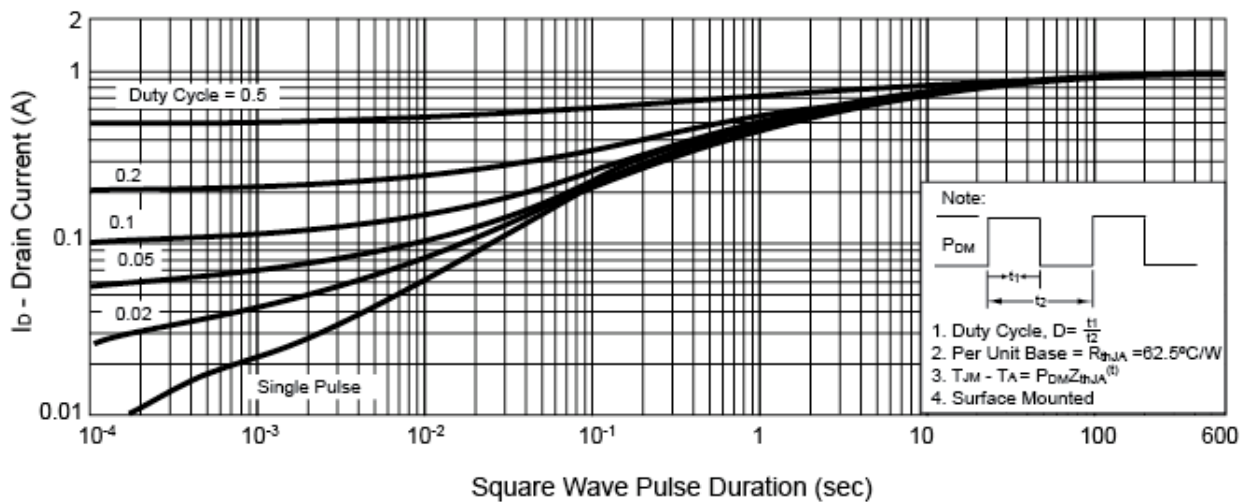
Threshold Voltage



Single Pulse Power

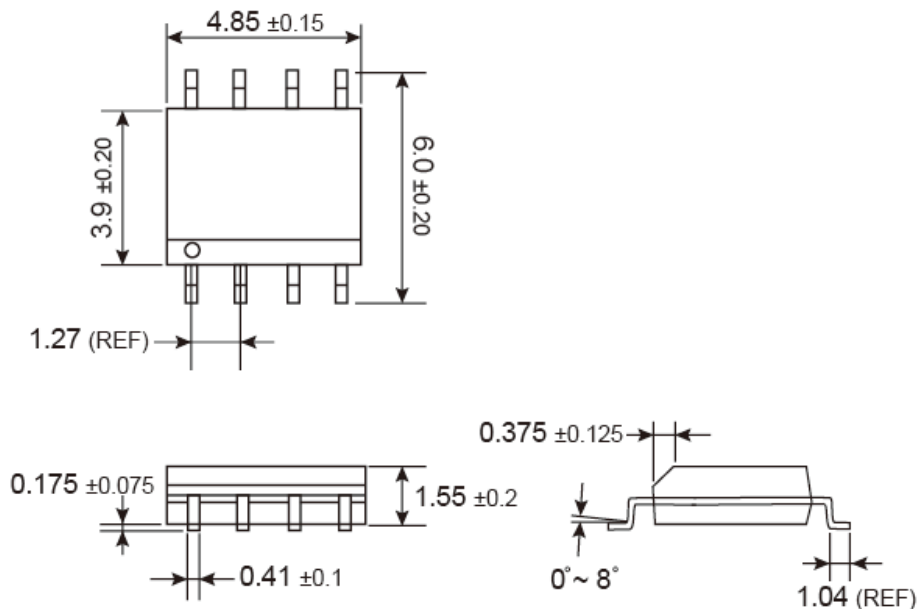


Normalized Thermal Transient Impedance, Junction-to-Ambient



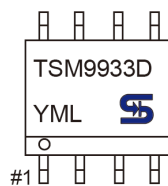


SOP-8 Mechanical Drawing



Unit: Millimeters

Marking Diagram



- Y** = Year Code
- M** = Month Code
(**A**=Jan, **B**=Feb, **C**=Mar, **D**=Apr, **E**=May, **F**=Jun, **G**=Jul, **H**=Aug, **I**=Sep, **J**=Oct, **K**=Nov, **L**=Dec)
- #** = Month Code for Halogen Free Product
(**O**=Jan, **P**=Feb, **Q**=Mar, **R**=Apr, **S**=May, **T**=Jun, **U**=Jul, **V**=Aug, **W**=Sep, **X**=Oct, **Y**=Nov, **Z**=Dec)
- L** = Lot Code

Notice

Specifications of the products displayed herein are subject to change without notice. TSC or anyone on its behalf, assumes no responsibility or liability for any errors or inaccuracies.

Information contained herein is intended to provide a product description only. No license, express or implied, to any intellectual property rights is granted by this document. Except as provided in TSC's terms and conditions of sale for such products, TSC assumes no liability whatsoever, and disclaims any express or implied warranty, relating to sale and/or use of TSC products including liability or warranties relating to fitness for a particular purpose, merchantability, or infringement of any patent, copyright, or other intellectual property right.

The products shown herein are not designed for use in medical, life-saving, or life-sustaining applications. Customers using or selling these products for use in such applications do so at their own risk and agree to fully indemnify TSC for any damages resulting from such improper use or sale.

AMEYA360

Components Supply Platform

Authorized Distribution Brand :



Website :

Welcome to visit www.ameya360.com

Contact Us :

➤ Address :

401 Building No.5, JiuGe Business Center, Lane 2301, Yishan Rd
Minhang District, Shanghai , China

➤ Sales :

Direct +86 (21) 6401-6692

Email amall@ameya360.com

QQ 800077892

Skype [ameyasales1](#) [ameyasales2](#)

➤ Customer Service :

Email service@ameya360.com

➤ Partnership :

Tel +86 (21) 64016692-8333

Email mkt@ameya360.com