

# Customer Information Sheet

DRAWING No.: H3153-XX

SHEET 2 OF 2

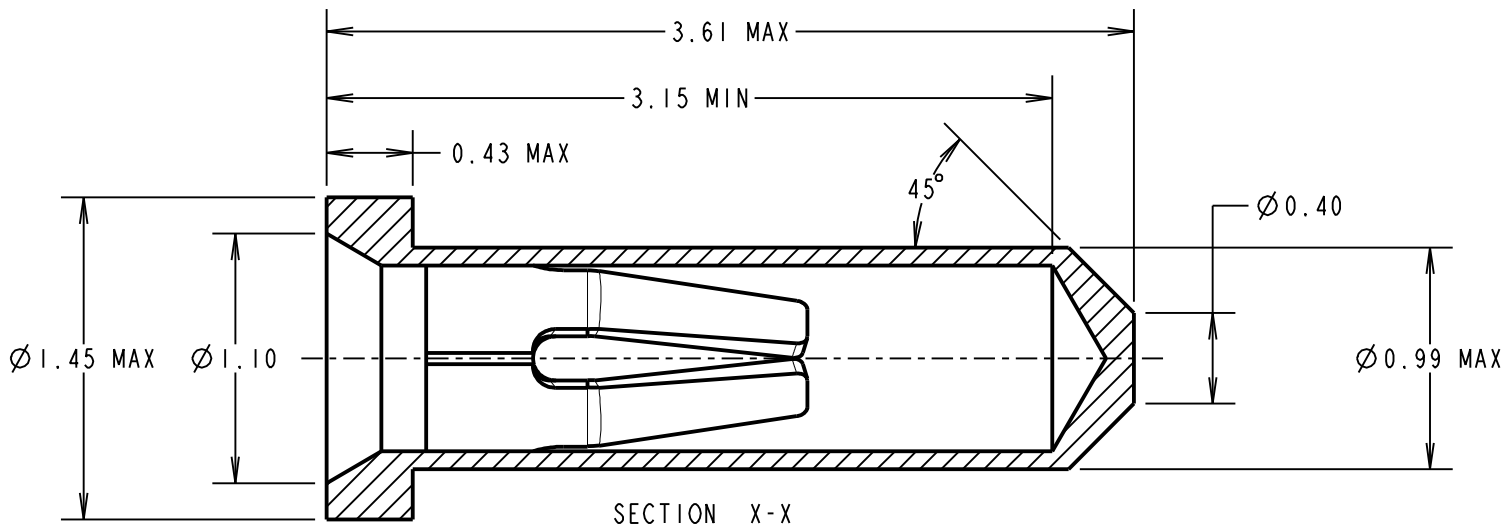
IF IN DOUBT - ASK

©

NOT TO SCALE

THIRD ANGLE PROJECTION

ALL DIMENSIONS IN mm



**SPECIFICATION:**

**MATERIAL:**

CONTACT SHELL = BRASS  
CONTACT CLIP = BERYLLIUM COPPER

**FINISH (ALL OVER NICKEL):**

01 = 0.1µ GOLD CLIP, 4µ TIN OVER NICKEL SHELL  
05 = 0.1µ GOLD CLIP, 0.15µ GOLD SHELL  
46 = 2.4µ 100% TIN CLIP, 4µ 100% TIN SHELL

**ELECTRICAL:**

CURRENT RATING AT 25°C = 2A MAX  
CURRENT RATING AT 85°C = 1.75A MAX  
CONTACT RESISTANCE (INITIAL) = 15mΩ MAX  
CONTACT RESISTANCE (AFTER CONDITIONING) = 25mΩ MAX

**DURABILITY:**

01, 05 FINISH = 500 OPERATIONS  
46 FINISH = 50 OPERATIONS.

**ENVIRONMENTAL:**

OPERATING TEMPERATURE = -55°C TO +125°C  
FOR COMPLETE SPECIFICATION, SEE COMPONENT SPECIFICATION C006XX (LATEST ISSUE).

**ORDER CODE:**

**H3153-XX**

**FINISH:**

01 = GOLD CLIP, TIN SHELL  
05 = GOLD CLIP, GOLD SHELL  
46 = 100% TIN CLIP, 100% TIN SHELL

**NOTES:**

1. RECOMMENDED PIN LENGTH = 3.15mm MAX
2. RECOMMENDED MOUNTING HOLE SIZE =  $\varnothing$ 1.00 - 1.10mm
3. RECOMMENDED PIN SIZE =  $\varnothing$ 0.46 - 0.51mm
4. CONTACT DEPTH = 2.30mm.

MSP	13	04.11.14	12661
NAME	ISS.	DATE	C/NOTE
APPROVED:		M.PERREN	
CHECKED:		M.PLESTED	
DRAWN:		J.CLAY	
CUSTOMER REF.:			
ASSEMBLY DRG:			

**HARWIN**

www.harwin.com  
technical@harwin.com

THIS DRAWING AND ANY INFORMATION OR DESCRIPTIVE MATTER SET OUT HEREON ARE CONFIDENTIAL AND COPYRIGHT PROPERTY OF THE HARWIN GROUP AND MUST NOT BE DISCLOSED, LOANED, COPIED OR USED FOR MANUFACTURING, TENDERING OR FOR ANY OTHER PURPOSE WITHOUT THEIR WRITTEN PERMISSION.

**TOLERANCES**

X. = ±1mm  
X.X = ±0.25mm  
X.XX = ±0.10mm  
X.XXX = ±0.01mm  
ANGLES = ±5°  
UNLESS STATED

**MATERIAL:**

SEE ABOVE

**FINISH:**

SEE ABOVE

**S/AREA:**

mm<sup>2</sup>

**TITLE:**

SUB-MINIATURE SOCKET ASSEMBLY

**DRAWING NUMBER:**

**H3153-XX**

SHT  
2 OF 2

# AMEYA360

## Components Supply Platform

### Authorized Distribution Brand :



### Website :

Welcome to visit [www.ameya360.com](http://www.ameya360.com)

### Contact Us :

#### ➤ Address :

401 Building No.5, JiuGe Business Center, Lane 2301, Yishan Rd  
Minhang District, Shanghai , China

#### ➤ Sales :

Direct +86 (21) 6401-6692

Email [amall@ameya360.com](mailto:amall@ameya360.com)

QQ 800077892

Skype [ameyasales1](#) [ameyasales2](#)

#### ➤ Customer Service :

Email [service@ameya360.com](mailto:service@ameya360.com)

#### ➤ Partnership :

Tel +86 (21) 64016692-8333

Email [mkt@ameya360.com](mailto:mkt@ameya360.com)