

Features

- Single 2.7V - 3.6V Supply
- Serial Peripheral Interface (SPI) Compatible
 - Supports SPI Modes 0 and 3
 - Supports RapidS™ Operation
 - Supports Dual-Input Program and Dual-Output Read
- Very High Operating Frequencies
 - 100MHz for RapidS
 - 85MHz for SPI
 - Clock-to-Output (t_v) of 5ns Maximum
- Flexible, Optimized Erase Architecture for Code + Data Storage Applications
 - Uniform 4-Kbyte Block Erase
 - Uniform 32-Kbyte Block Erase
 - Uniform 64-Kbyte Block Erase
 - Full Chip Erase
- Individual Sector Protection with Global Protect/Unprotect Feature
 - 16 Sectors of 64-Kbytes Each
- Hardware Controlled Locking of Protected Sectors via \overline{WP} Pin
- Sector Lockdown
 - Make Any Combination of 64-Kbyte Sectors Permanently Read-Only
- 128-Byte Programmable OTP Security Register
- Flexible Programming
 - Byte/Page Program (1- to 256-Bytes)
- Fast Program and Erase Times
 - 1.0ms Typical Page Program (256 Bytes) Time
 - 50ms Typical 4-Kbyte Block Erase Time
 - 250ms Typical 32-Kbyte Block Erase Time
 - 400ms Typical 64-Kbyte Block Erase Time
- Automatic Checking and Reporting of Erase/Program Failures
- Software Controlled Reset
- JEDEC Standard Manufacturer and Device ID Read Methodology
- Low Power Dissipation
 - 5mA Active Read Current (Typical at 20MHz)
 - 5 μ A Deep Power-Down Current (Typical)
- Endurance: 100,000 Program/Erase Cycles
- Data Retention: 20 Years
- Complies with Full Industrial Temperature Range
- Industry Standard Green (Pb/Halide-free/RoHS Compliant) Package Options
 - 8-lead SOIC (150-mil and 208-mil wide)
 - 8-pad Ultra Thin DFN (5 x 6 x 0.6mm)



8-Mbit 2.7V Minimum SPI Serial Flash Memory

AT25DF081A

8715C-SFLSH-1/2013

1. Description

The Adesto® AT25DF081A is a serial interface Flash memory device designed for use in a wide variety of high-volume consumer based applications in which program code is shadowed from Flash memory into embedded or external RAM for execution. The flexible erase architecture of the AT25DF081A, with its erase granularity as small as 4-Kbytes, makes it ideal for data storage as well, eliminating the need for additional data storage EEPROM devices.

The physical sectoring and the erase block sizes of the AT25DF081A have been optimized to meet the needs of today's code and data storage applications. By optimizing the size of the physical sectors and erase blocks, the memory space can be used much more efficiently. Because certain code modules and data storage segments must reside by themselves in their own protected sectors, the wasted and unused memory space that occurs with large sectored and large block erase Flash memory devices can be greatly reduced. This increased memory space efficiency allows additional code routines and data storage segments to be added while still maintaining the same overall device density.

The AT25DF081A also offers a sophisticated method for protecting individual sectors against erroneous or malicious program and erase operations. By providing the ability to individually protect and unprotect sectors, a system can unprotect a specific sector to modify its contents while keeping the remaining sectors of the memory array securely protected. This is useful in applications where program code is patched or updated on a subroutine or module basis, or in applications where data storage segments need to be modified without running the risk of errant modifications to the program code segments. In addition to individual sector protection capabilities, the AT25DF081A incorporates Global Protect and Global Unprotect features that allow the entire memory array to be either protected or unprotected all at once. This reduces overhead during the manufacturing process since sectors do not have to be unprotected one-by-one prior to initial programming.

To take code and data protection to the next level, the AT25DF081A incorporates a sector lockdown mechanism that allows any combination of individual 64-Kbyte sectors to be locked down and become permanently read-only. This addresses the need of certain secure applications that require portions of the Flash memory array to be permanently protected against malicious attempts at altering program code, data modules, security information, or encryption/decryption algorithms, keys, and routines. The device also contains a specialized OTP (One-Time Programmable) Security Register that can be used for purposes such as unique device serialization, system-level Electronic Serial Number (ESN) storage, locked key storage, etc.

Specifically designed for use in 3-volt systems, the AT25DF081A supports read, program, and erase operations with a supply voltage range of 2.7V to 3.6V. No separate voltage is required for programming and erasing.

2. Pin Descriptions and Pinouts

Table 2-1. Pin Descriptions

| Symbol | Name and Function | Asserted State | Type |
|--------------------------|--|----------------|--------------|
| $\overline{\text{CS}}$ | <p>CHIP SELECT: Asserting the $\overline{\text{CS}}$ pin selects the device. When the $\overline{\text{CS}}$ pin is deasserted, the device will be deselected and normally be placed in standby mode (not Deep Power-Down mode), and the SO pin will be in a high-impedance state. When the device is deselected, data will not be accepted on the SI pin.</p> <p>A high-to-low transition on the $\overline{\text{CS}}$ pin is required to start an operation, and a low-to-high transition is required to end an operation. When ending an internally self-timed operation such as a program or erase cycle, the device will not enter the standby mode until the completion of the operation.</p> | Low | Input |
| SCK | <p>SERIAL CLOCK: This pin is used to provide a clock to the device and is used to control the flow of data to and from the device. Command, address, and input data present on the SI pin is always latched in on the rising edge of SCK, while output data on the SO pin is always clocked out on the falling edge of SCK.</p> | - | Input |
| SI (SIO) | <p>SERIAL INPUT (SERIAL INPUT/OUTPUT): The SI pin is used to shift data into the device. The SI pin is used for all data input including command and address sequences. Data on the SI pin is always latched in on the rising edge of SCK.</p> <p>With the Dual-Output Read Array command, the SI pin becomes an output pin (SIO) to allow two bits of data (on the SO and SIO pins) to be clocked out on every falling edge of SCK. To maintain consistency with SPI nomenclature, the SIO pin will be referenced as SI throughout the document with exception to sections dealing with the Dual-Output Read Array command in which it will be referenced as SIO.</p> <p>Data present on the SI pin will be ignored whenever the device is deselected ($\overline{\text{CS}}$ is deasserted).</p> | - | Input/Output |
| SO (SOI) | <p>SERIAL OUTPUT (SERIAL OUTPUT/INPUT): The SO pin is used to shift data out from the device. Data on the SO pin is always clocked out on the falling edge of SCK.</p> <p>With the Dual-Input Byte/Page Program command, the SO pin becomes an input pin (SOI) to allow two bits of data (on the SOI and SI pins) to be clocked in on every rising edge of SCK. To maintain consistency with SPI nomenclature, the SOI pin will be referenced as SO throughout the document with exception to sections dealing with the Dual-Input Byte/Page Program command in which it will be referenced as SOI.</p> <p>The SO pin will be in a high-impedance state whenever the device is deselected ($\overline{\text{CS}}$ is deasserted).</p> | - | Output/Input |
| $\overline{\text{WP}}$ | <p>WRITE PROTECT: The $\overline{\text{WP}}$ pin controls the hardware locking feature of the device. Please refer to “Protection Commands and Features” on page 17 for more details on protection features and the $\overline{\text{WP}}$ pin.</p> <p>The $\overline{\text{WP}}$ pin is internally pulled-high and may be left floating if hardware controlled protection will not be used. However, it is recommended that the $\overline{\text{WP}}$ pin also be externally connected to V_{CC} whenever possible.</p> | Low | Input |
| $\overline{\text{HOLD}}$ | <p>HOLD: The $\overline{\text{HOLD}}$ pin is used to temporarily pause serial communication without deselecting or resetting the device. While the $\overline{\text{HOLD}}$ pin is asserted, transitions on the SCK pin and data on the SI pin will be ignored, and the SO pin will be in a high-impedance state. The $\overline{\text{CS}}$ pin must be asserted, and the SCK pin must be in the low state in order for a Hold condition to start. A Hold condition pauses serial communication only and does not have an effect on internally self-timed operations such as a program or erase cycle. Please refer to “Hold” on page 41 for additional details on the Hold operation.</p> <p>The $\overline{\text{HOLD}}$ pin is internally pulled-high and may be left floating if the Hold function will not be used. However, it is recommended that the $\overline{\text{HOLD}}$ pin also be externally connected to V_{CC} whenever possible.</p> | Low | Input |

Table 2-1. Pin Descriptions (Continued)

| Symbol | Name and Function | Asserted State | Type |
|-----------------|--|----------------|-------|
| V _{CC} | DEVICE POWER SUPPLY: The V _{CC} pin is used to supply the source voltage to the device. Operations at invalid V _{CC} voltages may produce spurious results and should not be attempted. | - | Power |
| GND | GROUND: The ground reference for the power supply. GND should be connected to the system ground. | - | Power |

Figure 2-1. 8-SOIC (Top View)

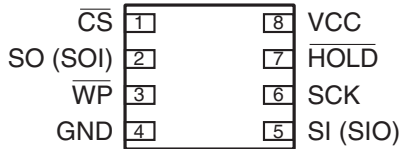
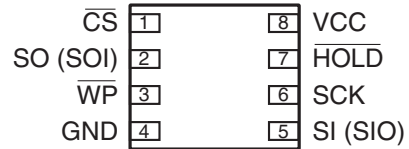
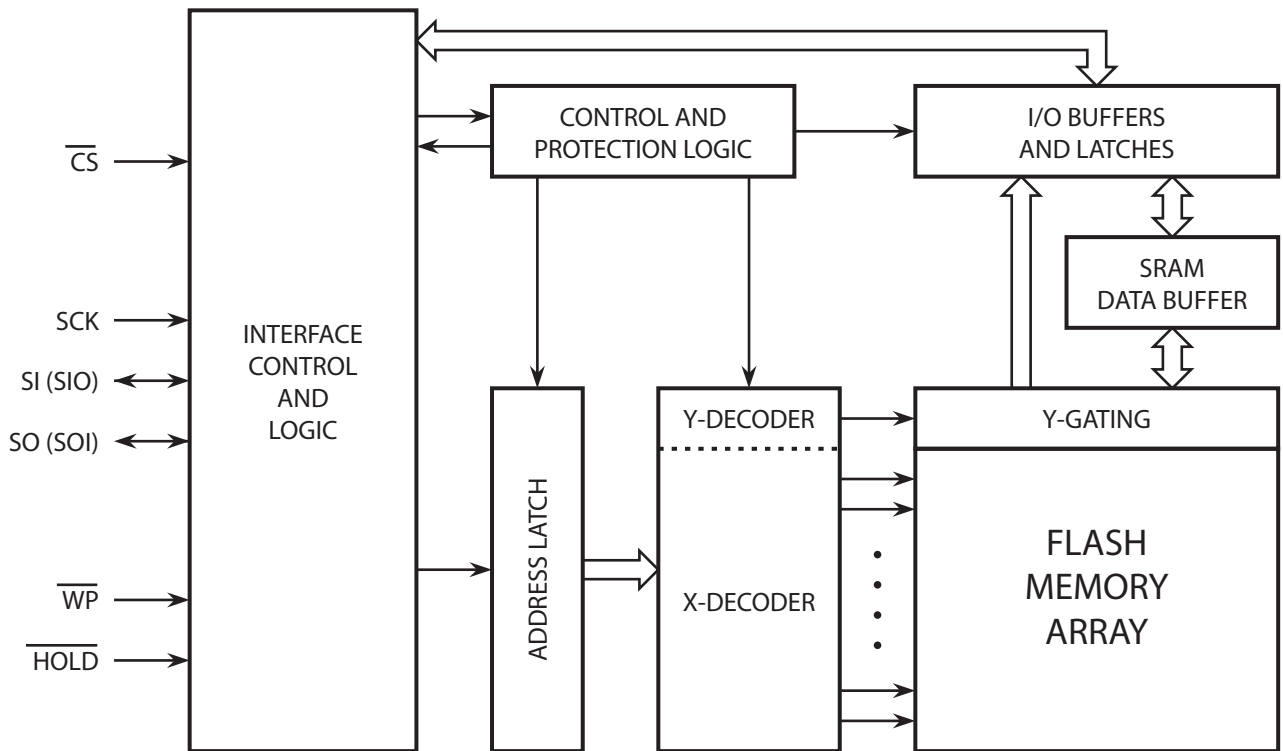


Figure 2-2. 8-UDFN (Top View)



3. Block Diagram

Figure 3-1. Block Diagram



4. Memory Array

To provide the greatest flexibility, the memory array of the AT25DF081A can be erased in four levels of granularity including a full chip erase. In addition, the array has been divided into physical sectors of uniform size, of which each sector can be individually protected from program and erase operations. The size of the physical sectors is optimized for both code and data storage applications, allowing both code and data segments to reside in their own isolated regions. The Memory Architecture Diagram illustrates the breakdown of each erase level as well as the breakdown of each physical sector.

Figure 4-1. Memory Architecture Diagram

| Internal Sectoring for Sector Protection Function | Block Erase Detail | | | Block Address Range | Page Program Detail | |
|---|--------------------------------|--------------------------------|-------------------------------|---------------------|---------------------------------------|--------------------|
| | 64KB Block Erase (D8h Command) | 32KB Block Erase (52h Command) | 4KB Block Erase (20h Command) | | 1-256 Byte Page Program (02h Command) | Page Address Range |
| 64KB (Sector 15) | 64KB | 32KB | 4KB | 0FFFFFh – 0FF000h | 256 Bytes | 0FFFFFh – 0FFF00h |
| | | | 4KB | 0FEFFFh – 0FE000h | 256 Bytes | 0FFEFFh – 0FFE00h |
| | | | 4KB | 0FDFFFh – 0FD000h | 256 Bytes | 0FFDFFh – 0FFD00h |
| | | | 4KB | 0FCFFFh – 0FC000h | 256 Bytes | 0FFCFFh – 0FFC00h |
| | | | 4KB | 0FBFFFh – 0FB000h | 256 Bytes | 0FFBFFh – 0FFB00h |
| | | | 4KB | 0FAFFFh – 0FA000h | 256 Bytes | 0FFAFFh – 0FFA00h |
| | | | 4KB | 0F9FFFh – 0F9000h | 256 Bytes | 0FF9FFh – 0FF900h |
| | | 32KB | 4KB | 0F8FFFh – 0F8000h | 256 Bytes | 0FF8FFh – 0FF800h |
| | | | 4KB | 0F7FFFh – 0F7000h | 256 Bytes | 0FF7FFh – 0FF700h |
| | | | 4KB | 0F6FFFh – 0F6000h | 256 Bytes | 0FF6FFh – 0FF600h |
| | | | 4KB | 0F5FFFh – 0F5000h | 256 Bytes | 0FF5FFh – 0FF500h |
| | | | 4KB | 0F4FFFh – 0F4000h | 256 Bytes | 0FF4FFh – 0FF400h |
| | | | 4KB | 0F3FFFh – 0F3000h | 256 Bytes | 0FF3FFh – 0FF300h |
| | | | 4KB | 0F2FFFh – 0F2000h | 256 Bytes | 0FF2FFh – 0FF200h |
| | | | 4KB | 0F1FFFh – 0F1000h | 256 Bytes | 0FF1FFh – 0FF100h |
| 64KB (Sector 14) | 64KB | 32KB | 4KB | 0F0FFFh – 0F0000h | 256 Bytes | 0FF0FFh – 0FF000h |
| | | | 4KB | 0EFFFFh – 0EF000h | 256 Bytes | 0FEFFFh – 0FEF00h |
| | | | 4KB | 0EFFFFh – 0EE000h | 256 Bytes | 0FEFFFh – 0FEE00h |
| | | | 4KB | 0EDFFFh – 0ED000h | 256 Bytes | 0FEDFFh – 0FED00h |
| | | | 4KB | 0ECFFFh – 0EC000h | 256 Bytes | 0FECFFh – 0FEC00h |
| | | | 4KB | 0EBFFFh – 0EB000h | 256 Bytes | 0FEBFFh – 0FEB00h |
| | | | 4KB | 0EAFh – 0EA000h | 256 Bytes | 0FEAFFh – 0FEA00h |
| | | 32KB | 4KB | 0E9FFFh – 0E9000h | 256 Bytes | 0FE9FFh – 0FE900h |
| | | | 4KB | 0E8FFFh – 0E8000h | 256 Bytes | 0FE8FFh – 0FE800h |
| | | | 4KB | 0E7FFFh – 0E7000h | 256 Bytes | ⋮ |
| | | | 4KB | 0E6FFFh – 0E6000h | 256 Bytes | ⋮ |
| | | | 4KB | 0E5FFFh – 0E5000h | 256 Bytes | ⋮ |
| | | | 4KB | 0E4FFFh – 0E4000h | 256 Bytes | 0017FFh – 001700h |
| | | | 4KB | 0E3FFFh – 0E3000h | 256 Bytes | 0016FFh – 001600h |
| | | | 4KB | 0E2FFFh – 0E2000h | 256 Bytes | 0015FFh – 001500h |
| 64KB (Sector 0) | 64KB | 32KB | 4KB | 0E1FFFh – 0E1000h | 256 Bytes | 0014FFh – 001400h |
| | | | 4KB | 0E0FFFh – 0E0000h | 256 Bytes | 0013FFh – 001300h |
| | | | 4KB | 00FFFFh – 00F000h | 256 Bytes | 0012FFh – 001200h |
| | | | 4KB | 00EFFFh – 00E000h | 256 Bytes | 0011FFh – 001100h |
| | | | 4KB | 00DFFFh – 00D000h | 256 Bytes | 0010FFh – 001000h |
| | | | 4KB | 00CFFFh – 00C000h | 256 Bytes | 000FFFh – 000F00h |
| | | | 4KB | 00BFFFh – 00B000h | 256 Bytes | 000EFFFh – 000E00h |
| | | 32KB | 4KB | 00AFFFh – 00A000h | 256 Bytes | 000DFFFh – 000D00h |
| | | | 4KB | 009FFFh – 009000h | 256 Bytes | 000CFFFh – 000C00h |
| | | | 4KB | 008FFFh – 008000h | 256 Bytes | 000BFFFh – 000B00h |
| | | | 4KB | 007FFFh – 007000h | 256 Bytes | 000AFFh – 000A00h |
| | | | 4KB | 006FFFh – 006000h | 256 Bytes | 0009FFh – 000900h |
| | | | 4KB | 005FFFh – 005000h | 256 Bytes | 0008FFh – 000800h |
| | | | 4KB | 004FFFh – 004000h | 256 Bytes | 0007FFh – 000700h |
| | | | 4KB | 003FFFh – 003000h | 256 Bytes | 0006FFh – 000600h |
| 4KB | 002FFFh – 002000h | 256 Bytes | 0005FFh – 000500h | | | |
| 4KB | 001FFFh – 001000h | 256 Bytes | 0004FFh – 000400h | | | |
| 4KB | 000FFFh – 000000h | 256 Bytes | 0003FFh – 000300h | | | |
| 4KB | | 256 Bytes | 0002FFh – 000200h | | | |
| 4KB | | 256 Bytes | 0001FFh – 000100h | | | |
| 4KB | | 256 Bytes | 0000FFh – 000000h | | | |

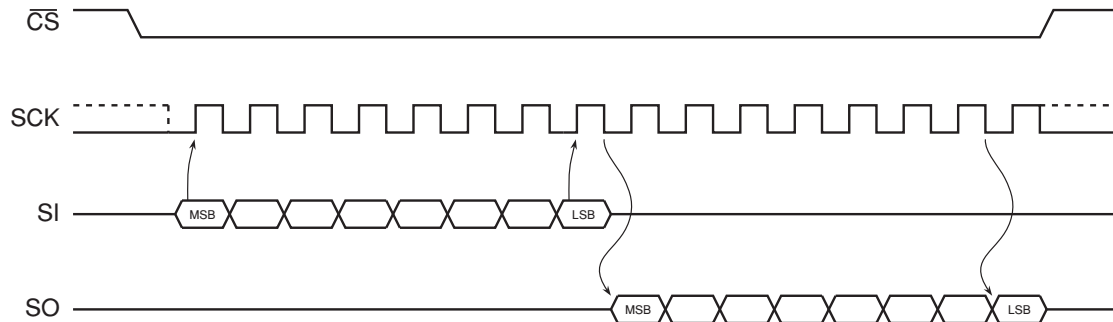
5. Device Operation

The AT25DF081A is controlled by a set of instructions that are sent from a host controller, commonly referred to as the SPI Master. The SPI Master communicates with the AT25DF081A via the SPI bus which is comprised of four signal lines: Chip Select (\overline{CS}), Serial Clock (SCK), Serial Input (SI), and Serial Output (SO).

The AT25DF081A features a dual-input program mode in which the SO pin becomes an input. Similarly, the device also features a dual-output read mode in which the SI pin becomes an output. In the Dual-Input Byte/Page Program command description, the SO pin will be referred to as the SOI (Serial Output/Input) pin, and in the Dual-Output Read Array command, the SI pin will be referenced as the SIO (Serial Input/Output) pin.

The SPI protocol defines a total of four modes of operation (mode 0, 1, 2, or 3) with each mode differing in respect to the SCK polarity and phase and how the polarity and phase control the flow of data on the SPI bus. The AT25DF081A supports the two most common modes, SPI Modes 0 and 3. The only difference between SPI Modes 0 and 3 is the polarity of the SCK signal when in the inactive state (when the SPI Master is in standby mode and not transferring any data). With SPI Modes 0 and 3, data is always latched in on the rising edge of SCK and always output on the falling edge of SCK.

Figure 5-1. SPI Mode 0 and 3



6. Commands and Addressing

A valid instruction or operation must always be started by first asserting the \overline{CS} pin. After the \overline{CS} pin has been asserted, the host controller must then clock out a valid 8-bit opcode on the SPI bus. Following the opcode, instruction dependent information such as address and data bytes would then be clocked out by the host controller. All opcode, address, and data bytes are transferred with the most-significant bit (MSB) first. An operation is ended by deasserting the \overline{CS} pin.

Opcodes not supported by the AT25DF081A will be ignored by the device and no operation will be started. The device will continue to ignore any data presented on the SI pin until the start of the next operation (\overline{CS} pin being deasserted and then reasserted). In addition, if the \overline{CS} pin is deasserted before complete opcode and address information is sent to the device, then no operation will be performed and the device will simply return to the idle state and wait for the next operation.

Addressing of the device requires a total of three bytes of information to be sent, representing address bits A23-A0. Since the upper address limit of the AT25DF081A memory array is 0FFFFh, address bits A23-A20 are always ignored by the device.

Table 6-1. Command Listing

| Command | Opcode | Clock Frequency | Address Bytes | Dummy Bytes | Data Bytes |
|---|--|-----------------|---------------|-------------|------------|
| Read Commands | | | | | |
| Read Array | 1Bh 0001 1011 | Up to 100MHz | 3 | 2 | 1+ |
| | 0Bh 0000 1011 | Up to 85MHz | 3 | 1 | 1+ |
| | 03h 0000 0011 | Up to 50MHz | 3 | 0 | 1+ |
| Dual-Output Read Array | 3Bh 0011 1011 | Up to 85MHz | 3 | 1 | 1+ |
| Program and Erase Commands | | | | | |
| Block Erase (4 KBytes) | 20h 0010 0000 | Up to 100MHz | 3 | 0 | 0 |
| Block Erase (32 KBytes) | 52h 0101 0010 | Up to 100MHz | 3 | 0 | 0 |
| Block Erase (64 KBytes) | D8h 1101 1000 | Up to 100MHz | 3 | 0 | 0 |
| Chip Erase | 60h 0110 0000 | Up to 100MHz | 0 | 0 | 0 |
| | C7h 1100 0111 | Up to 100MHz | 0 | 0 | 0 |
| Byte/Page Program (1 to 256 Bytes) | 02h 0000 0010 | Up to 100MHz | 3 | 0 | 1+ |
| Dual-Input Byte/Page Program (1 to 256 Bytes) | A2h 1010 0010 | Up to 100MHz | 3 | 0 | 1+ |
| Protection Commands | | | | | |
| Write Enable | 06h 0000 0110 | Up to 100MHz | 0 | 0 | 0 |
| Write Disable | 04h 0000 0100 | Up to 100MHz | 0 | 0 | 0 |
| Protect Sector | 36h 0011 0110 | Up to 100MHz | 3 | 0 | 0 |
| Unprotect Sector | 39h 0011 1001 | Up to 100MHz | 3 | 0 | 0 |
| Global Protect/Unprotect | Use Write Status Register Byte 1 Command | | | | |
| Read Sector Protection Registers | 3Ch 0011 1100 | Up to 100MHz | 3 | 0 | 1+ |
| Security Commands | | | | | |
| Sector Lockdown | 33h 0011 0011 | Up to 100MHz | 3 | 0 | 1 |
| Freeze Sector Lockdown State | 34h 0011 0100 | Up to 100MHz | 3 | 0 | 1 |
| Read Sector Lockdown Registers | 35h 0011 0101 | Up to 100MHz | 3 | 0 | 1+ |
| Program OTP Security Register | 9Bh 1001 1011 | Up to 100MHz | 3 | 0 | 1+ |
| Read OTP Security Register | 77h 0111 0111 | Up to 100MHz | 3 | 2 | 1+ |
| Status Register Commands | | | | | |
| Read Status Register | 05h 0000 0101 | Up to 100MHz | 0 | 0 | 1+ |
| Write Status Register Byte 1 | 01h 0000 0001 | Up to 100MHz | 0 | 0 | 1 |
| Write Status Register Byte 2 | 31h 0011 0001 | Up to 100MHz | 0 | 0 | 1 |
| Miscellaneous Commands | | | | | |
| Reset | F0h 1111 0000 | Up to 100MHz | 0 | 0 | 1 |
| Read Manufacturer and Device ID | 9Fh 1001 1111 | Up to 85MHz | 0 | 0 | 1 to 4 |
| Deep Power-Down | B9h 1011 1001 | Up to 100MHz | 0 | 0 | 0 |
| Resume from Deep Power-Down | ABh 1010 1011 | Up to 100MHz | 0 | 0 | 0 |

7. Read Commands

7.1 Read Array

The Read Array command can be used to sequentially read a continuous stream of data from the device by simply providing the clock signal once the initial starting address has been specified. The device incorporates an internal address counter that automatically increments on every clock cycle.

Three opcodes (1Bh, 0Bh, and 03h) can be used for the Read Array command. The use of each opcode depends on the maximum clock frequency that will be used to read data from the device. The 0Bh opcode can be used at any clock frequency up to the maximum specified by f_{CLK} , and the 03h opcode can be used for lower frequency read operations up to the maximum specified by f_{RDLF} . The 1Bh opcode allows the highest read performance possible and can be used at any clock frequency up to the maximum specified by f_{MAX} ; however, use of the 1Bh opcode at clock frequencies above f_{CLK} should be reserved to systems employing the RapidS protocol.

To perform the Read Array operation, the \overline{CS} pin must first be asserted and the appropriate opcode (1Bh, 0Bh, or 03h) must be clocked into the device. After the opcode has been clocked in, the three address bytes must be clocked in to specify the starting address location of the first byte to read within the memory array. Following the three address bytes, additional dummy bytes may need to be clocked into the device depending on which opcode is used for the Read Array operation. If the 1Bh opcode is used, then two dummy bytes must be clocked into the device after the three address bytes. If the 0Bh opcode is used, then a single dummy byte must be clocked in after the address bytes.

After the three address bytes (and the dummy bytes or byte if using opcodes 1Bh or 0Bh) have been clocked in, additional clock cycles will result in data being output on the SO pin. The data is always output with the MSB of a byte first. When the last byte (0FFFFFFh) of the memory array has been read, the device will continue reading back at the beginning of the array (000000h). No delays will be incurred when wrapping around from the end of the array to the beginning of the array.

Deasserting the \overline{CS} pin will terminate the read operation and put the SO pin into a high-impedance state. The \overline{CS} pin can be deasserted at any time and does not require that a full byte of data be read.

Figure 7-1. Read Array – 1Bh Opcode

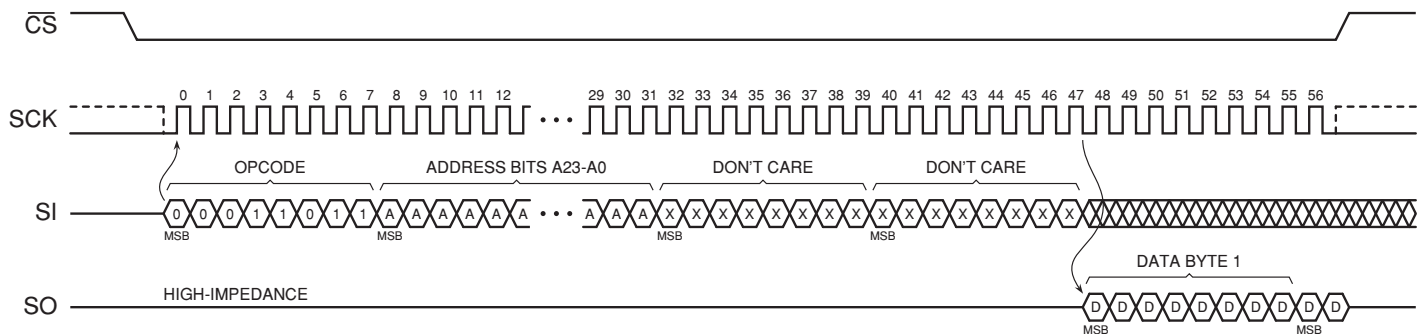


Figure 7-2. Read Array – 0Bh Opcode

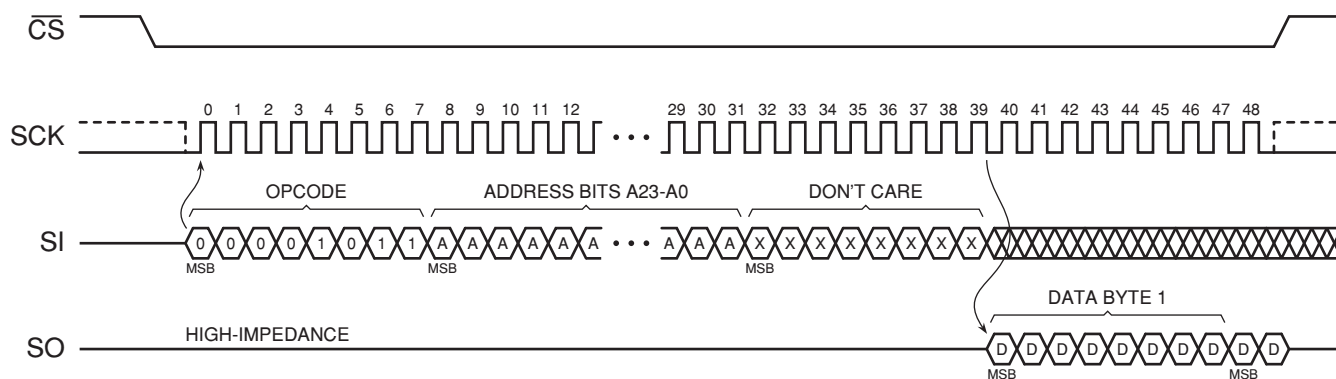
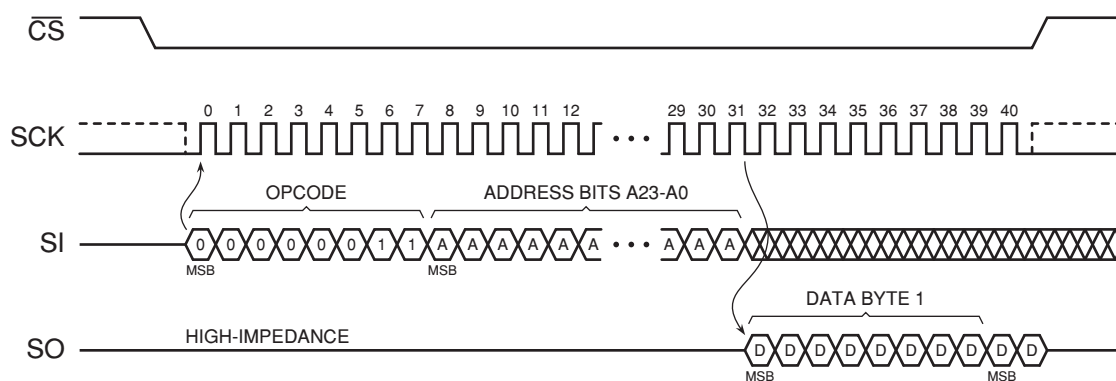


Figure 7-3. Read Array – 03h Opcode



7.2 Dual-Output Read Array

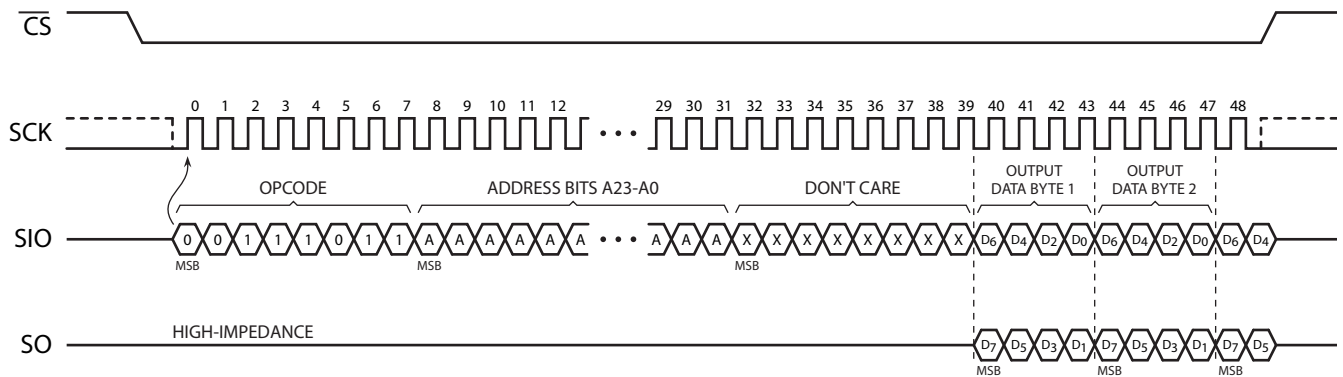
The Dual-Output Read Array command is similar to the standard Read Array command and can be used to sequentially read a continuous stream of data from the device by simply providing the clock signal once the initial starting address has been specified. Unlike the standard Read Array command, however, the Dual-Output Read Array command allows two bits of data to be clocked out of the device on every clock cycle rather than just one.

The Dual-Output Read Array command can be used at any clock frequency up to the maximum specified by f_{RDDO} . To perform the Dual-Output Read Array operation, the \overline{CS} pin must first be asserted and the opcode of 3Bh must be clocked into the device. After the opcode has been clocked in, the three address bytes must be clocked in to specify the starting address location of the first byte to read within the memory array. Following the three address bytes, a single dummy byte must also be clocked into the device.

After the three address bytes and the dummy byte have been clocked in, additional clock cycles will result in data being output on both the SO and SIO pins. The data is always output with the MSB of a byte first, and the MSB is always output on the SO pin. During the first clock cycle, bit seven of the first data byte will be output on the SO pin while bit six of the same data byte will be output on the SIO pin. During the next clock cycle, bits five and four of the first data byte will be output on the SO and SIO pins, respectively. The sequence continues with each byte of data being output after every four clock cycles. When the last byte (0FFFFFFh) of the memory array has been read, the device will continue reading back at the beginning of the array (000000h). No delays will be incurred when wrapping around from the end of the array to the beginning of the array.

Deasserting the \overline{CS} pin will terminate the read operation and put the SO and SIO pins into a high-impedance state. The \overline{CS} pin can be deasserted at any time and does not require that a full byte of data be read.

Figure 7-4. Dual-Output Read Array



8. Program and Erase Commands

8.1 Byte/Page Program

The Byte/Page Program command allows anywhere from a single byte of data to 256-bytes of data to be programmed into previously erased memory locations. An erased memory location is one that has all eight bits set to the logical “1” state (a byte value of FFh). Before a Byte/Page Program command can be started, the Write Enable command must have been previously issued to the device (see “Write Enable” on page 17) to set the Write Enable Latch (WEL) bit of the Status Register to a logical “1” state.

To perform a Byte/Page Program command, an opcode of 02h must be clocked into the device followed by the three address bytes denoting the first byte location of the memory array to begin programming at. After the address bytes have been clocked in, data can then be clocked into the device and will be stored in an internal buffer.

If the starting memory address denoted by A23-A0 does not fall on an even 256-byte page boundary (A7-A0 are not all 0), then special circumstances regarding which memory locations to be programmed will apply. In this situation, any data that is sent to the device that goes beyond the end of the page will wrap around back to the beginning of the same page. For example, if the starting address denoted by A23-A0 is 0000FEh, and three bytes of data are sent to the device, then the first two bytes of data will be programmed at addresses 0000FEh and 0000FFh while the last byte of data will be programmed at address 000000h. The remaining bytes in the page (addresses 000001h through 0000FDh) will not be programmed and will remain in the erased state (FFh). In addition, if more than 256-bytes of data are sent to the device, then only the last 256-bytes sent will be latched into the internal buffer.

When the \overline{CS} pin is deasserted, the device will take the data stored in the internal buffer and program it into the appropriate memory array locations based on the starting address specified by A23-A0 and the number of data bytes sent to the device. If less than 256-bytes of data were sent to the device, then the remaining bytes within the page will not be programmed and will remain in the erased state (FFh). The programming of the data bytes is internally self-timed and should take place in a time of t_{PP} or t_{BP} if only programming a single byte.

The three address bytes and at least one complete byte of data must be clocked into the device before the \overline{CS} pin is deasserted, and the \overline{CS} pin must be deasserted on even byte boundaries (multiples of eight bits); otherwise, the device will abort the operation and no data will be programmed into the memory array. In addition, if the address specified by A23-A0 points to a memory location within a sector that is in the protected state (see “Protect Sector” on page 19) or locked down (see “Sector Lockdown” on page 25), then the Byte/Page Program command will not be executed, and the device will return to the idle state once the \overline{CS} pin has been deasserted. The WEL bit in the Status Register will be reset back to the logical “0” state if the program cycle aborts due to an incomplete address being sent, an incomplete byte of data being sent, the \overline{CS} pin being deasserted on uneven byte boundaries, or because the memory location to be programmed is protected or locked down.

While the device is programming, the Status Register can be read and will indicate that the device is busy. For faster throughput, it is recommended that the Status Register be polled rather than waiting the t_{BP} or t_{PP} time to determine if the data bytes have finished programming. At some point before the program cycle completes, the WEL bit in the Status Register will be reset back to the logical “0” state.

The device also incorporates an intelligent programming algorithm that can detect when a byte location fails to program properly. If a programming error arises, it will be indicated by the EPE bit in the Status Register.

Figure 8-1. Byte Program

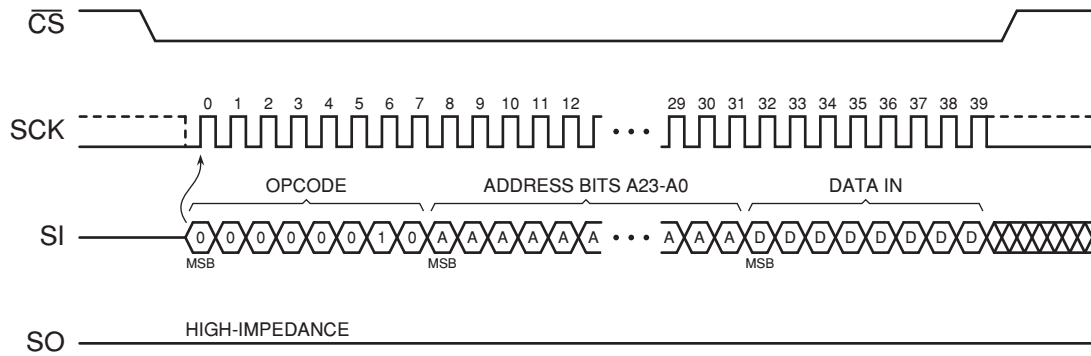
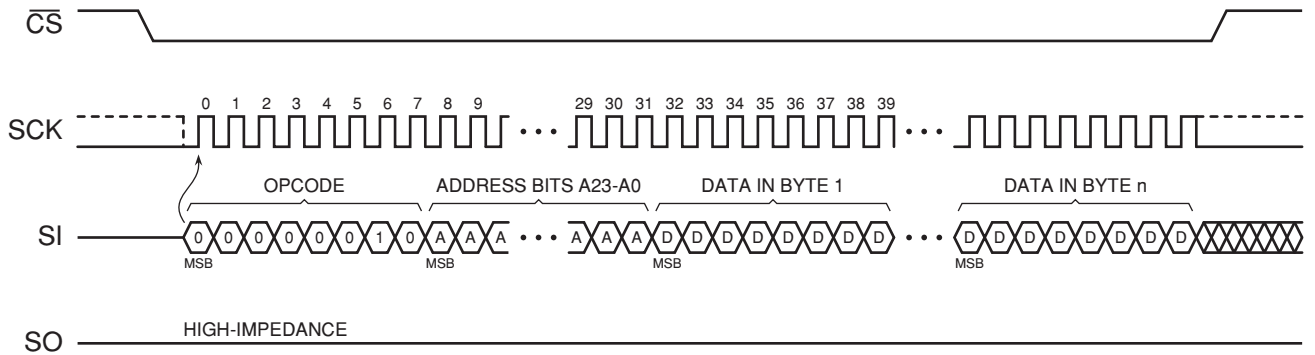


Figure 8-2. Page Program



8.2 Dual-Input Byte/Page Program

The Dual-Input Byte/Page Program command is similar to the standard Byte/Page Program command and can be used to program anywhere from a single byte of data up to 256-bytes of data into previously erased memory locations. Unlike the standard Byte/Page Program command, however, the Dual-Input Byte/Page Program command allows two bits of data to be clocked into the device on every clock cycle rather than just one.

Before the Dual-Input Byte/Page Program command can be started, the Write Enable command must have been previously issued to the device (see [“Write Enable” on page 17](#)) to set the Write Enable Latch (WEL) bit of the Status Register to a logical “1” state. To perform a Dual-Input Byte/Page Program command, an opcode of A2h must be clocked into the device followed by the three address bytes denoting the first byte location of the memory array to begin programming at. After the address bytes have been clocked in, data can then be clocked into the device two bits at a time on both the SOI and SI pins.

The data is always input with the MSB of a byte first, and the MSB is always input on the SOI pin. During the first clock cycle, bit seven of the first data byte would be input on the SOI pin while bit six of the same data byte would be input on the SI pin. During the next clock cycle, bits five and four of the first data byte would be input on the SOI and SI pins, respectively. The sequence would continue with each byte of data being input after every four clock cycles. Like the standard Byte/Page Program command, all data clocked into the device is stored in an internal buffer.

If the starting memory address denoted by A23-A0 does not fall on an even 256-byte page boundary (A7-A0 are not all 0), then special circumstances regarding which memory locations to be programmed will apply. In this situation, any data that is sent to the device that goes beyond the end of the page will wrap around back to the beginning of the same page. For example, if the starting address denoted by A23-A0 is 0000FEh, and three bytes of data are sent to the device, then the first two bytes of data will be programmed at addresses 0000FEh and 0000FFh while the last byte of data will be programmed at address 000000h. The remaining bytes in the page (addresses 000001h through 0000FDh) will not be programmed and will remain in the erased state (FFh). In addition, if more than 256-bytes of data are sent to the device, then only the last 256-bytes sent will be latched into the internal buffer.

When the $\overline{\text{CS}}$ pin is deasserted, the device will take the data stored in the internal buffer and program it into the appropriate memory array locations based on the starting address specified by A23-A0 and the number of data bytes sent to the device. If less than 256-bytes of data were sent to the device, then the remaining bytes within the page will not be programmed and will remain in the erased state (FFh). The programming of the data bytes is internally self-timed and should take place in a time of t_{PP} or t_{BP} if only programming a single byte.

The three address bytes and at least one complete byte of data must be clocked into the device before the $\overline{\text{CS}}$ pin is deasserted, and the $\overline{\text{CS}}$ pin must be deasserted on even byte boundaries (multiples of eight bits); otherwise, the device will abort the operation and no data will be programmed into the memory array. In addition, if the address specified by A23-A0 points to a memory location within a sector that is in the protected state (see [“Protect Sector” on page 19](#)) or locked down (see [“Sector Lockdown” on page 25](#)), then the Byte/Page Program command will not be executed, and the device will return to the idle state once the $\overline{\text{CS}}$ pin has been deasserted. The WEL bit in the Status Register will be reset back to the logical “0” state if the program cycle aborts due to an incomplete address being sent, an incomplete byte of data being sent, the $\overline{\text{CS}}$ pin being deasserted on uneven byte boundaries, or because the memory location to be programmed is protected or locked down.

While the device is programming, the Status Register can be read and will indicate that the device is busy. For faster throughput, it is recommended that the Status Register be polled rather than waiting the t_{BP} or t_{PP} time to determine if the data bytes have finished programming. At some point before the program cycle completes, the WEL bit in the Status Register will be reset back to the logical “0” state.

The device also incorporates an intelligent programming algorithm that can detect when a byte location fails to program properly. If a programming error arises, it will be indicated by the EPE bit in the Status Register.

Figure 8-3. Dual-Input Byte Program

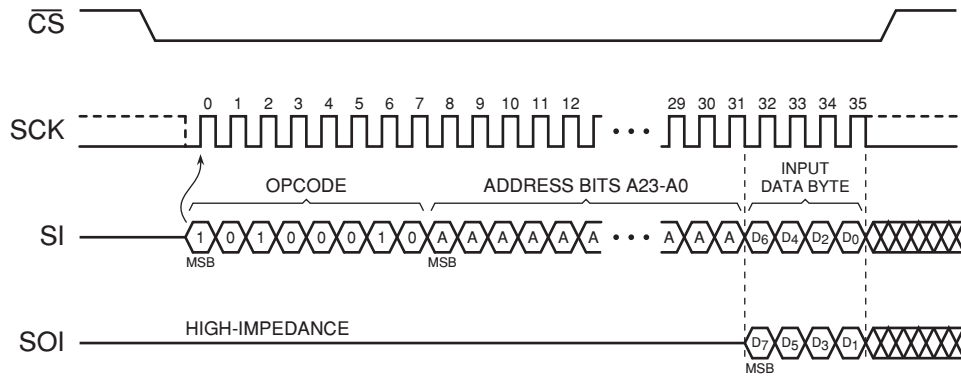
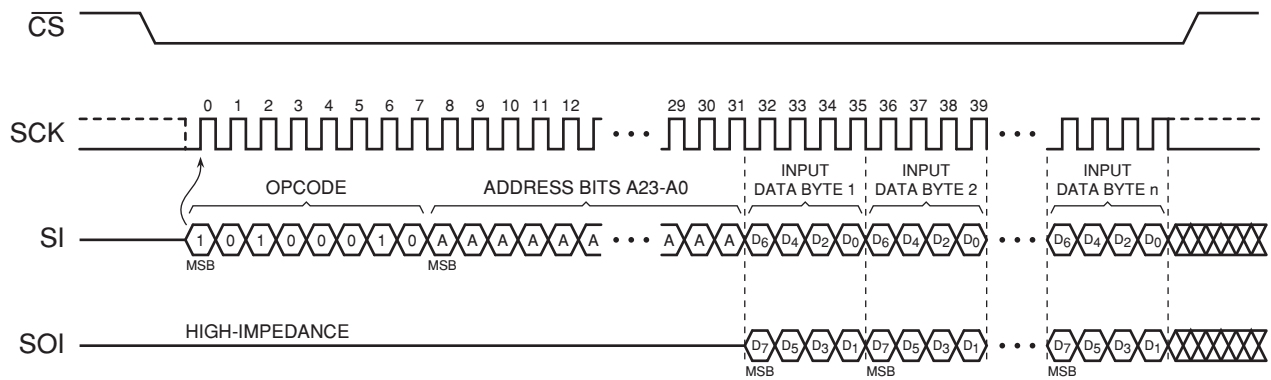


Figure 8-4. Dual-Input Page Program



8.3 Block Erase

A block of 4-, 32-, or 64-Kbytes can be erased (all bits set to the logical “1” state) in a single operation by using one of three different opcodes for the Block Erase command. An opcode of 20h is used for a 4-Kbyte erase, an opcode of 52h is used for a 32-Kbyte erase, and an opcode of D8h is used for a 64-Kbyte erase. Before a Block Erase command can be started, the Write Enable command must have been previously issued to the device to set the WEL bit of the Status Register to a logical “1” state.

To perform a Block Erase, the \overline{CS} pin must first be asserted and the appropriate opcode (20h, 52h, or D8h) must be clocked into the device. After the opcode has been clocked in, the three address bytes specifying an address within the 4-, 32-, or 64-Kbyte block to be erased must be clocked in. Any additional data clocked into the device will be ignored. When the \overline{CS} pin is deasserted, the device will erase the appropriate block. The erasing of the block is internally self-timed and should take place in a time of t_{BLKE} .

Since the Block Erase command erases a region of bytes, the lower order address bits do not need to be decoded by the device. Therefore, for a 4-Kbyte erase, address bits A11-A0 will be ignored by the device and their values can be either a logical “1” or “0”. For a 32-Kbyte erase, address bits A14-A0 will be ignored, and for a 64-Kbyte erase, address bits A15-A0 will be ignored by the device. Despite the lower order address bits not being decoded by the device, the complete three address bytes must still be clocked into the device before the \overline{CS} pin is deasserted, and the \overline{CS} pin must be deasserted on an even byte boundary (multiples of eight bits); otherwise, the device will abort the operation and no erase operation will be performed.

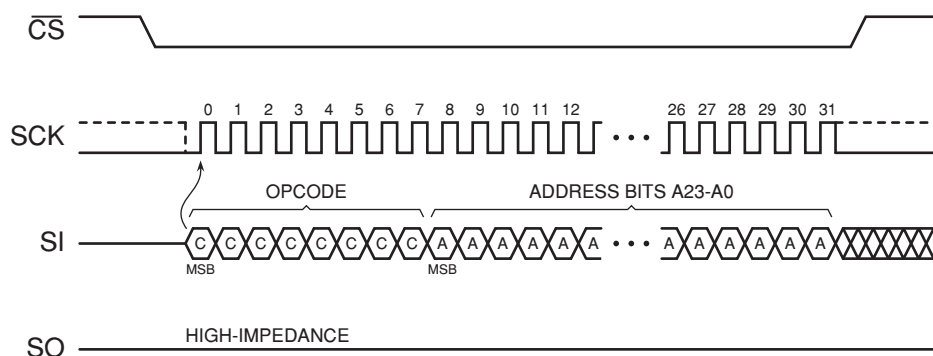
If the address specified by A23-A0 points to a memory location within a sector that is in the protected or locked down state, then the Block Erase command will not be executed, and the device will return to the idle state once the \overline{CS} pin has been deasserted.

The WEL bit in the Status Register will be reset back to the logical “0” state if the erase cycle aborts due to an incomplete address being sent, the \overline{CS} pin being deasserted on uneven byte boundaries, or because a memory location within the region to be erased is protected or locked down.

While the device is executing a successful erase cycle, the Status Register can be read and will indicate that the device is busy. For faster throughput, it is recommended that the Status Register be polled rather than waiting the t_{BLKE} time to determine if the device has finished erasing. At some point before the erase cycle completes, the WEL bit in the Status Register will be reset back to the logical “0” state.

The device also incorporates an intelligent erase algorithm that can detect when a byte location fails to erase properly. If an erase error occurs, it will be indicated by the EPE bit in the Status Register.

Figure 8-5. Block Erase



8.4 Chip Erase

The entire memory array can be erased in a single operation by using the Chip Erase command. Before a Chip Erase command can be started, the Write Enable command must have been previously issued to the device to set the WEL bit of the Status Register to a logical “1” state.

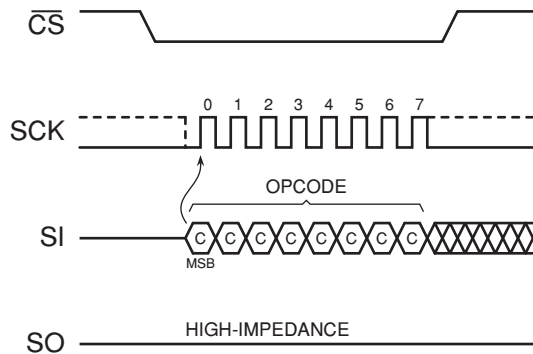
Two opcodes, 60h and C7h, can be used for the Chip Erase command. There is no difference in device functionality when utilizing the two opcodes, so they can be used interchangeably. To perform a Chip Erase, one of the two opcodes (60h or C7h) must be clocked into the device. Since the entire memory array is to be erased, no address bytes need to be clocked into the device, and any data clocked in after the opcode will be ignored. When the \overline{CS} pin is deasserted, the device will erase the entire memory array. The erasing of the device is internally self-timed and should take place in a time of t_{CHPE} .

The complete opcode must be clocked into the device before the \overline{CS} pin is deasserted, and the \overline{CS} pin must be deasserted on an even byte boundary (multiples of eight bits); otherwise, no erase will be performed. In addition, if any sector of the memory array is in the protected or locked down state, then the Chip Erase command will not be executed, and the device will return to the idle state once the \overline{CS} pin has been deasserted. The WEL bit in the Status Register will be reset back to the logical “0” state if the \overline{CS} pin is deasserted on uneven byte boundaries or if a sector is in the protected or locked down state.

While the device is executing a successful erase cycle, the Status Register can be read and will indicate that the device is busy. For faster throughput, it is recommended that the Status Register be polled rather than waiting the t_{CHPE} time to determine if the device has finished erasing. At some point before the erase cycle completes, the WEL bit in the Status Register will be reset back to the logical “0” state.

The device also incorporates an intelligent erase algorithm that can detect when a byte location fails to erase properly. If an erase error occurs, it will be indicated by the EPE bit in the Status Register.

Figure 8-6. Chip Erase



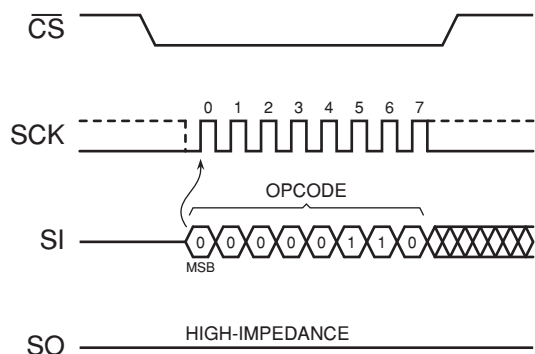
9. Protection Commands and Features

9.1 Write Enable

The Write Enable command is used to set the Write Enable Latch (WEL) bit in the Status Register to a logical “1” state. The WEL bit must be set before a Byte/Page Program, erase, Protect Sector, Unprotect Sector, Sector Lockdown, Freeze Sector Lockdown State, Program OTP Security Register, or Write Status Register command can be executed. This makes the issuance of these commands a two step process, thereby reducing the chances of a command being accidentally or erroneously executed. If the WEL bit in the Status Register is not set prior to the issuance of one of these commands, then the command will not be executed.

To issue the Write Enable command, the \overline{CS} pin must first be asserted and the opcode of 06h must be clocked into the device. No address bytes need to be clocked into the device, and any data clocked in after the opcode will be ignored. When the \overline{CS} pin is deasserted, the WEL bit in the Status Register will be set to a logical “1”. The complete opcode must be clocked into the device before the \overline{CS} pin is deasserted, and the \overline{CS} pin must be deasserted on an even byte boundary (multiples of eight bits); otherwise, the device will abort the operation and the state of the WEL bit will not change.

Figure 9-1. Write Enable

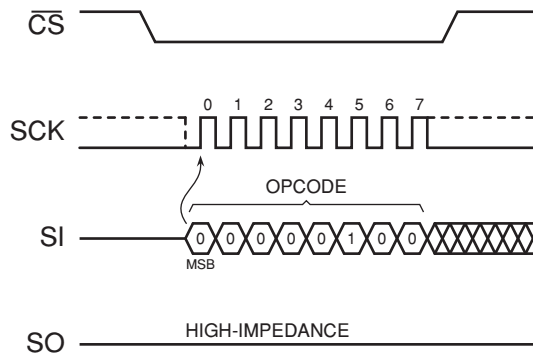


9.2 Write Disable

The Write Disable command is used to reset the Write Enable Latch (WEL) bit in the Status Register to the logical "0" state. With the WEL bit reset, all Byte/Page Program, erase, Protect Sector, Unprotect Sector, Sector Lockdown, Freeze Sector Lockdown State, Program OTP Security Register, and Write Status Register commands will not be executed. Other conditions can also cause the WEL bit to be reset; for more details, refer to the WEL bit section of the Status Register description.

To issue the Write Disable command, the \overline{CS} pin must first be asserted and the opcode of 04h must be clocked into the device. No address bytes need to be clocked into the device, and any data clocked in after the opcode will be ignored. When the \overline{CS} pin is deasserted, the WEL bit in the Status Register will be reset to a logical "0". The complete opcode must be clocked into the device before the \overline{CS} pin is deasserted, and the \overline{CS} pin must be deasserted on an even byte boundary (multiples of eight bits); otherwise, the device will abort the operation and the state of the WEL bit will not change.

Figure 9-2. Write Disable



9.3 Protect Sector

Every physical 64-Kbyte sector of the device has a corresponding single-bit Sector Protection Register that is used to control the software protection of a sector. Upon device power-up, each Sector Protection Register will default to the logical “1” state indicating that all sectors are protected and cannot be programmed or erased.

Issuing the Protect Sector command to a particular sector address will set the corresponding Sector Protection Register to the logical “1” state. The following table outlines the two states of the Sector Protection Registers.

Table 9-1. Sector Protection Register Values

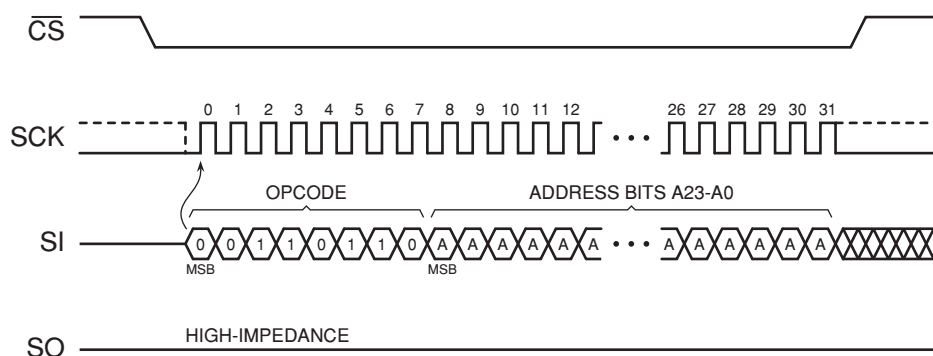
| Value | Sector Protection Status |
|-------|--|
| 0 | Sector is unprotected and can be programmed and erased. |
| 1 | Sector is protected and cannot be programmed or erased. This is the default state. |

Before the Protect Sector command can be issued, the Write Enable command must have been previously issued to set the WEL bit in the Status Register to a logical “1”. To issue the Protect Sector command, the \overline{CS} pin must first be asserted and the opcode of 36h must be clocked into the device followed by three address bytes designating any address within the sector to be protected. Any additional data clocked into the device will be ignored. When the \overline{CS} pin is deasserted, the Sector Protection Register corresponding to the physical sector addressed by A23-A0 will be set to the logical “1” state, and the sector itself will then be protected from program and erase operations. In addition, the WEL bit in the Status Register will be reset back to the logical “0” state.

The complete three address bytes must be clocked into the device before the \overline{CS} pin is deasserted, and the \overline{CS} pin must be deasserted on an even byte boundary (multiples of eight bits); otherwise, the device will abort the operation. When the device aborts the Protect Sector operation, the state of the Sector Protection Register will be unchanged, and the WEL bit in the Status Register will be reset to a logical “0”.

As a safeguard against accidental or erroneous protecting or unprotecting of sectors, the Sector Protection Registers can themselves be locked from updates by using the SPRL (Sector Protection Registers Locked) bit of the Status Register (please refer to the Status Register description for more details). If the Sector Protection Registers are locked, then any attempts to issue the Protect Sector command will be ignored, and the device will reset the WEL bit in the Status Register back to a logical “0” and return to the idle state once the \overline{CS} pin has been deasserted.

Figure 9-3. Protect Sector



9.4 Unprotect Sector

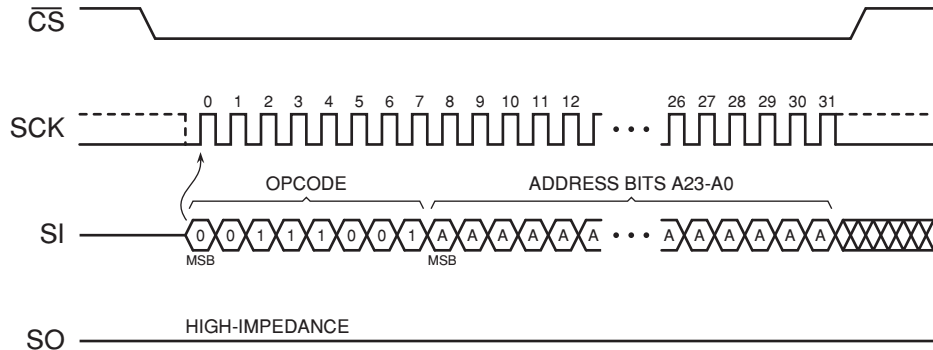
Issuing the Unprotect Sector command to a particular sector address will reset the corresponding Sector Protection Register to the logical “0” state (see Table 9-1 for Sector Protection Register values). Every physical sector of the device has a corresponding single-bit Sector Protection Register that is used to control the software protection of a sector.

Before the Unprotect Sector command can be issued, the Write Enable command must have been previously issued to set the WEL bit in the Status Register to a logical “1”. To issue the Unprotect Sector command, the $\overline{\text{CS}}$ pin must first be asserted and the opcode of 39h must be clocked into the device. After the opcode has been clocked in, the three address bytes designating any address within the sector to be unprotected must be clocked in. Any additional data clocked into the device after the address bytes will be ignored. When the $\overline{\text{CS}}$ pin is deasserted, the Sector Protection Register corresponding to the sector addressed by A23-A0 will be reset to the logical “0” state, and the sector itself will be unprotected. In addition, the WEL bit in the Status Register will be reset back to the logical “0” state.

The complete three address bytes must be clocked into the device before the $\overline{\text{CS}}$ pin is deasserted, and the $\overline{\text{CS}}$ pin must be deasserted on an even byte boundary (multiples of eight bits); otherwise, the device will abort the operation, the state of the Sector Protection Register will be unchanged, and the WEL bit in the Status Register will be reset to a logical “0”.

As a safeguard against accidental or erroneous locking or unlocking of sectors, the Sector Protection Registers can themselves be locked from updates by using the SPRL (Sector Protection Registers Locked) bit of the Status Register (please refer to the Status Register description for more details). If the Sector Protection Registers are locked, then any attempts to issue the Unprotect Sector command will be ignored, and the device will reset the WEL bit in the Status Register back to a logical “0” and return to the idle state once the $\overline{\text{CS}}$ pin has been deasserted.

Figure 9-4. Unprotect Sector



9.5 Global Protect/Unprotect

The Global Protect and Global Unprotect features can work in conjunction with the Protect Sector and Unprotect Sector functions. For example, a system can globally protect the entire memory array and then use the Unprotect Sector command to individually unprotect certain sectors and individually reprotect them later by using the Protect Sector command. Likewise, a system can globally unprotect the entire memory array and then individually protect certain sectors as needed.

Performing a Global Protect or Global Unprotect is accomplished by writing a certain combination of data to the Status Register using the Write Status Register Byte 1 command (see “Write Status Register Byte 1” on page 35 for command execution details). The Write Status Register command is also used to modify the SPRL (Sector Protection Registers Locked) bit to control hardware and software locking.

To perform a Global Protect, the appropriate \overline{WP} pin and SPRL conditions must be met, and the system must write a logical “1” to bits five, four, three, and two of the first byte of the Status Register. Conversely, to perform a Global Unprotect, the same \overline{WP} and SPRL conditions must be met but the system must write a logical “0” to bits five, four, three, and two of the first byte of the Status Register. Table 9-2 details the conditions necessary for a Global Protect or Global Unprotect to be performed.

Table 9-2. Valid SPRL and Global Protect/Unprotect Conditions

| \overline{WP} State | Current SPRL Value | New Write Status Register Byte 1 Data | Protection Operation | New SPRL Value |
|--------------------------|--------------------------|---|---|----------------------|
| | | Bit 7 6 5 4 3 2 1 0 | | |
| 0 | 0 | 0 x 0 0 0 0 x x | Global Unprotect – all Sector Protection Registers reset to 0 | 0 |
| | | 0 x 0 0 0 1 x x | No change to current protection. | 0 |
| | | 0 x 1 1 1 0 x x | No change to current protection. | 0 |
| | | 0 x 1 1 1 1 x x | Global Protect – all Sector Protection Registers set to 1 | 0 |
| 0 | 0 | 1 x 0 0 0 0 x x | Global Unprotect – all Sector Protection Registers reset to 0 | 1 |
| | | 1 x 0 0 0 1 x x | No change to current protection. | 1 |
| | | 1 x 1 1 1 0 x x | No change to current protection. | 1 |
| | | 1 x 1 1 1 1 x x | Global Protect – all Sector Protection Registers set to 1 | 1 |
| 0 | 1 | x x x x x x x x | No change to the current protection level. All sectors currently protected will remain protected and all sectors currently unprotected will remain unprotected. | |
| | | | The Sector Protection Registers are hard-locked and cannot be changed when the \overline{WP} pin is LOW and the current state of SPRL is 1. Therefore, a Global Protect/Unprotect will not occur. In addition, the SPRL bit cannot be changed (the \overline{WP} pin must be HIGH in order to change SPRL back to a 0). | |
| 1 | 0 | 0 x 0 0 0 0 x x | Global Unprotect – all Sector Protection Registers reset to 0 | 0 |
| | | 0 x 0 0 0 1 x x | No change to current protection. | 0 |
| | | 0 x 1 1 1 0 x x | No change to current protection. | 0 |
| | | 0 x 1 1 1 1 x x | Global Protect – all Sector Protection Registers set to 1 | 0 |
| 1 | 0 | 1 x 0 0 0 0 x x | Global Unprotect – all Sector Protection Registers reset to 0 | 1 |
| | | 1 x 0 0 0 1 x x | No change to current protection. | 1 |
| | | 1 x 1 1 1 0 x x | No change to current protection. | 1 |
| | | 1 x 1 1 1 1 x x | Global Protect – all Sector Protection Registers set to 1 | 1 |

Table 9-2. Valid SPRL and Global Protect/Unprotect Conditions (Continued)

| $\overline{\text{WP}}$ State | Current SPRL Value | New Write Status Register Byte 1 Data | Protection Operation | New SPRL Value |
|---------------------------------|--------------------------|---|---|----------------------|
| | | Bit 7 6 5 4 3 2 1 0 | | |
| 1 | 1 | 0 x 0 0 0 0 x x | No change to the current protection level. All sectors currently protected will remain protected, and all sectors currently unprotected will remain unprotected. | 0 |
| | | 0 x 0 0 0 1 x x | | 0 |
| | | 0 x 1 1 1 0 x x | The Sector Protection Registers are soft-locked and cannot be changed when the current state of SPRL is 1. Therefore, a Global Protect/Unprotect will not occur. However, the SPRL bit can be changed back to a 0 from a 1 since the $\overline{\text{WP}}$ pin is HIGH. To perform a Global Protect/Unprotect, the Write Status Register command must be issued again after the SPRL bit has been changed from a 1 to a 0. | 0 |
| | | 0 x 1 1 1 1 x x | | 0 |
| | | 1 x 0 0 0 0 x x | | 1 |
| | | 1 x 0 0 0 1 x x | | 1 |
| 1 x 1 1 1 0 x x | 1 | | | |
| 1 x 1 1 1 1 x x | 1 | | | |

Essentially, if the SPRL bit of the Status Register is in the logical “0” state (Sector Protection Registers are not locked), then writing a 00h to the first byte of the Status Register will perform a Global Unprotect without changing the state of the SPRL bit. Similarly, writing a 7Fh to the first byte of the Status Register will perform a Global Protect and keep the SPRL bit in the logical “0” state. The SPRL bit can, of course, be changed to a logical “1” by writing an FFh if software-locking or hardware-locking is desired along with the Global Protect.

If the desire is to only change the SPRL bit without performing a Global Protect or Global Unprotect, then the system can simply write a 0Fh to the first byte of the Status Register to change the SPRL bit from a logical “1” to a logical “0” provided the $\overline{\text{WP}}$ pin is deasserted. Likewise, the system can write an F0h to change the SPRL bit from a logical “0” to a logical “1” without affecting the current sector protection status (no changes will be made to the Sector Protection Registers).

When writing to the first byte of the Status Register, bits five, four, three, and two will not actually be modified but will be decoded by the device for the purposes of the Global Protect and Global Unprotect functions. Only bit seven, the SPRL bit, will actually be modified. Therefore, when reading the first byte of the Status Register, bits five, four, three, and two will not reflect the values written to them but will instead indicate the status of the $\overline{\text{WP}}$ pin and the sector protection status. Please refer to “Read Status Register” on page 31 and Table 11-1 on page 31 for details on the Status Register format and what values can be read for bits five, four, three, and two.

9.6 Read Sector Protection Registers

The Sector Protection Registers can be read to determine the current software protection status of each sector. Reading the Sector Protection Registers, however, will not determine the status of the \overline{WP} pin.

To read the Sector Protection Register for a particular sector, the \overline{CS} pin must first be asserted and the opcode of 3Ch must be clocked in. Once the opcode has been clocked in, three address bytes designating any address within the sector must be clocked in. After the last address byte has been clocked in, the device will begin outputting data on the SO pin during every subsequent clock cycle. The data being output will be a repeating byte of either FFh or 00h to denote the value of the appropriate Sector Protection Register.

At clock frequencies above f_{CLK} , the first byte of data output will not be valid. Therefore, if operating at clock frequencies above f_{CLK} , at least two bytes of data must be clocked out from the device in order to determine the correct status of the appropriate Sector Protection Register.

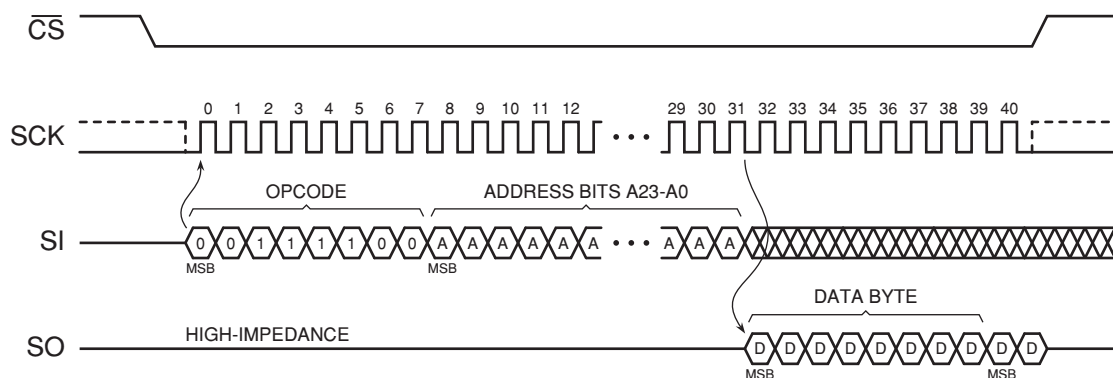
Table 9-3. Read Sector Protection Register – Output Data

| Output Data | Sector Protection Register Value |
|-------------|---|
| 00h | Sector Protection Register value is 0 (sector is unprotected) |
| FFh | Sector Protection Register value is 1 (sector is protected) |

Deasserting the \overline{CS} pin will terminate the read operation and put the SO pin into a high-impedance state. The \overline{CS} pin can be deasserted at any time and does not require that a full byte of data be read.

In addition to reading the individual Sector Protection Registers, the Software Protection Status (SWP) bits in the Status Register can be read to determine if all, some, or none of the sectors are software protected (refer to “[Read Status Register](#)” on page 31 for more details).

Figure 9-5. Read Sector Protection Register



9.7 Protected States and the Write Protect ($\overline{\text{WP}}$) Pin

The $\overline{\text{WP}}$ pin is not linked to the memory array itself and has no direct effect on the protection status or lockdown status of the memory array. Instead, the $\overline{\text{WP}}$ pin, in conjunction with the SPRL (Sector Protection Registers Locked) bit in the Status Register, is used to control the hardware locking mechanism of the device. For hardware locking to be active, two conditions must be met—the $\overline{\text{WP}}$ pin must be asserted and the SPRL bit must be in the logical “1” state.

When hardware locking is active, the Sector Protection Registers are locked and the SPRL bit itself is also locked. Therefore, sectors that are protected will be locked in the protected state, and sectors that are unprotected will be locked in the unprotected state. These states cannot be changed as long as hardware locking is active, so the Protect Sector, Unprotect Sector, and Write Status Register commands will be ignored. In order to modify the protection status of a sector, the $\overline{\text{WP}}$ pin must first be deasserted, and the SPRL bit in the Status Register must be reset back to the logical “0” state using the Write Status Register command. When resetting the SPRL bit back to a logical “0”, it is not possible to perform a Global Protect or Global Unprotect at the same time since the Sector Protection Registers remain soft-locked until after the Write Status Register command has been executed.

If the $\overline{\text{WP}}$ pin is permanently connected to GND, then once the SPRL bit is set to a logical “1”, the only way to reset the bit back to the logical “0” state is to power-cycle the device. This allows a system to power-up with all sectors software protected but not hardware locked. Therefore, sectors can be unprotected and protected as needed and then hardware locked at a later time by simply setting the SPRL bit in the Status Register.

When the $\overline{\text{WP}}$ pin is deasserted, or if the WP pin is permanently connected to V_{CC} , the SPRL bit in the Status Register can still be set to a logical “1” to lock the Sector Protection Registers. This provides a software locking ability to prevent erroneous Protect Sector or Unprotect Sector commands from being processed. When changing the SPRL bit to a logical “1” from a logical “0”, it is also possible to perform a Global Protect or Global Unprotect at the same time by writing the appropriate values into bits five, four, three, and two of the first byte of the Status Register.

Tables 9-4 and 9-5 detail the various protection and locking states of the device.

Table 9-4. Sector Protection Register States

| $\overline{\text{WP}}$ | Sector Protection Register $n^{(1)}$ | Sector $n^{(1)}$ |
|------------------------|---|---------------------|
| X (Don't Care) | 0 | Unprotected |
| | 1 | Protected |

Note: 1. “n” represents a sector number

Table 9-5. Hardware and Software Locking

| $\overline{\text{WP}}$ | SPRL | Locking | SPRL Change Allowed | Sector Protection Registers |
|------------------------|------|-----------------|-----------------------------|---|
| 0 | 0 | | Can be modified from 0 to 1 | Unlocked and modifiable using the Protect and Unprotect Sector commands. Global Protect and Unprotect can also be performed. |
| 0 | 1 | Hardware Locked | Locked | Locked in current state. Protect and Unprotect Sector commands will be ignored. Global Protect and Unprotect cannot be performed. |
| 1 | 0 | | Can be modified from 0 to 1 | Unlocked and modifiable using the Protect and Unprotect Sector commands. Global Protect and Unprotect can also be performed. |
| 1 | 1 | Software Locked | Can be modified from 1 to 0 | Locked in current state. Protect and Unprotect Sector commands will be ignored. Global Protect and Unprotect cannot be performed. |

10. Security Commands

10.1 Sector Lockdown

Certain applications require that portions of the Flash memory array be permanently protected against malicious attempts at altering program code, data modules, security information, or encryption/decryption algorithms, keys, and routines. To address these applications, the device incorporates a sector lockdown mechanism that allows any combination of individual 64-Kbyte sectors to be permanently locked so that they become read only. Once a sector is locked down, it can never be erased or programmed again, and it can never be unlocked from the locked down state.

Each 64-Kbyte physical sector has a corresponding single-bit Sector Lockdown Register that is used to control the lockdown status of that sector. These registers are nonvolatile and will retain their state even after a device power-cycle or reset operation. The following table outlines the two states of the Sector Lockdown Registers.

Table 10-1. Sector Lockdown Register Values

| Value | Sector Lockdown Status |
|-------|--|
| 0 | Sector is not locked down and can be programmed and erased. This is the default state. |
| 1 | Sector is permanently locked down and can never be programmed or erased again. |

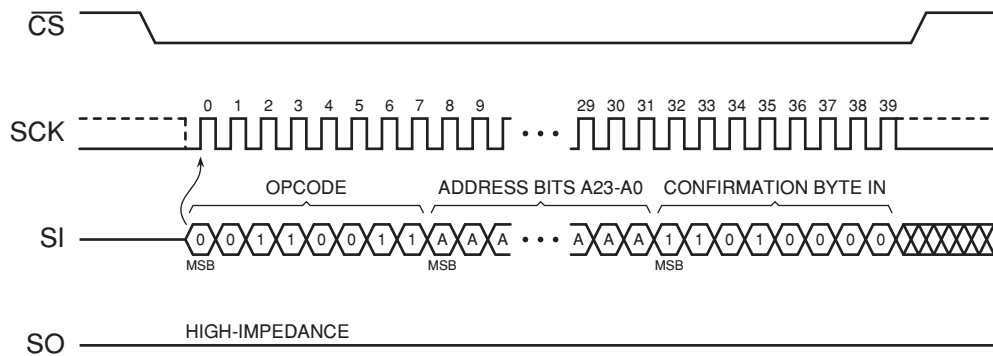
Issuing the Sector Lockdown command to a particular sector address will set the corresponding Sector Lockdown Register to the logical “1” state. Each Sector Lockdown Register can only be set once; therefore, once set to the logical “1” state, a Sector Lockdown Register cannot be reset back to the logical “0” state.

Before the Sector Lockdown command can be issued, the Write Enable command must have been previously issued to set the WEL bit in the Status Register to a logical “1”. In addition, the Sector Lockdown Enabled (SLE) bit in the Status Register must have also been previously set to the logical “1” state by using the Write Status Register Byte 2 command (see [“Write Status Register Byte 2” on page 36](#)). To issue the Sector Lockdown command, the \overline{CS} pin must first be asserted and the opcode of 33h must be clocked into the device followed by three address bytes designating any address within the 64-Kbyte sector to be locked down. After the three address bytes have been clocked in, a confirmation byte of D0h must also be clocked in immediately following the three address bytes. Any additional data clocked into the device after the first byte of data will be ignored. When the \overline{CS} pin is deasserted, the Sector Lockdown Register corresponding to the sector addressed by A23-A0 will be set to the logical “1” state, and the sector itself will then be permanently locked down from program and erase operations within a time of t_{LOCK} . In addition, the WEL bit in the Status Register will be reset back to the logical “0” state.

The complete three address bytes and the correct confirmation byte value of D0h must be clocked into the device before the \overline{CS} pin is deasserted, and the \overline{CS} pin must be deasserted on an even byte boundary (multiples of eight bits); otherwise, the device will abort the operation. When the device aborts the Sector Lockdown operation, the state of the corresponding Sector Lockdown Register as well as the SLE bit in the Status Register will be unchanged; however, the WEL bit in the Status Register will be reset to a logical “0”.

As a safeguard against accidental or erroneous locking down of sectors, the Sector Lockdown command can be enabled and disabled as needed by using the SLE bit in the Status Register. In addition, the current sector lockdown state can be frozen so that no further modifications to the Sector Lockdown Registers can be made (see [“Freeze Sector Lockdown State” below](#)). If the Sector Lockdown command is disabled or if the sector lockdown state is frozen, then any attempts to issue the Sector Lockdown command will be ignored, and the device will reset the WEL bit in the Status Register back to a logical “0” and return to the idle state once the \overline{CS} pin has been deasserted.

Figure 10-1. Sector Lockdown



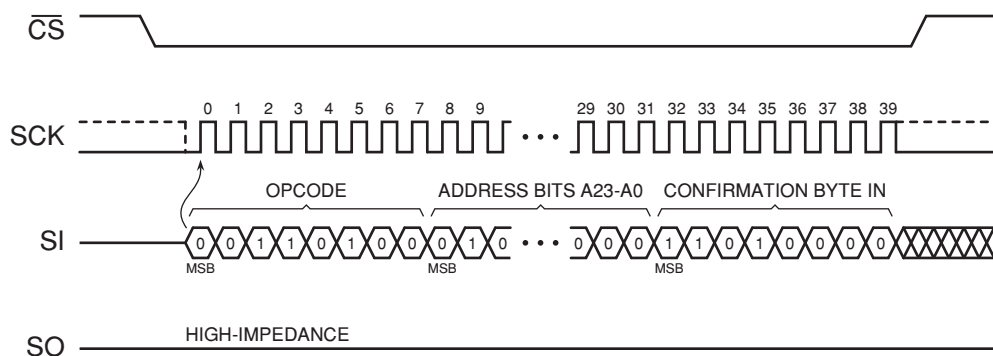
10.2 Freeze Sector Lockdown State

The current sector lockdown state can be permanently frozen so that no further modifications to the Sector Lockdown Registers can be made; therefore, the Sector Lockdown command will be permanently disabled, and no additional sectors can be locked down aside from those already locked down. Any attempts to issue the Sector Lockdown command after the sector lockdown state has been frozen will be ignored.

Before the Freeze Sector Lockdown State command can be issued, the Write Enable command must have been previously issued to set the WEL bit in the Status Register to a logical “1”. In addition, the Sector Lockdown Enabled (SLE) bit in the Status Register must have also been previously set to the logical “1” state. To issue the Freeze Sector Lockdown State command, the \overline{CS} pin must first be asserted and the opcode of 34h must be clocked into the device followed by three command specific address bytes of 55AA40h. After the three address bytes have been clocked in, a confirmation byte of D0h must be clocked in immediately following the three address bytes. Any additional data clocked into the device will be ignored. When the \overline{CS} pin is deasserted, the current sector lockdown state will be permanently frozen within a time of t_{LOCK} . In addition, the WEL bit in the Status Register will be reset back to the logical “0” state, and the SLE bit will be permanently reset to a logical “0” to indicate that the Sector Lockdown command is permanently disabled.

The complete and correct three address bytes and the confirmation byte must be clocked into the device before the \overline{CS} pin is deasserted, and the \overline{CS} pin must be deasserted on an even byte boundary (multiples of eight bits); otherwise, the device will abort the operation. When the device aborts the Freeze Sector Lockdown State operation, the WEL bit in the Status Register will be reset to a logical “0”; however, the state of the SLE bit will be unchanged.

Figure 10-2. Freeze Sector Lockdown State



10.3 Read Sector Lockdown Registers

The Sector Lockdown Registers can be read to determine the current lockdown status of each physical 64-Kbyte sector. To read the Sector Lockdown Register for a particular 64-Kbyte sector, the \overline{CS} pin must first be asserted and the opcode of 35h must be clocked in. Once the opcode has been clocked in, three address bytes designating any address within the 64-Kbyte sector must be clocked in. After the address bytes have been clocked in, data will be output on the SO pin during every subsequent clock cycle. The data being output will be a repeating byte of either FFh or 00h to denote the value of the appropriate Sector Lockdown Register.

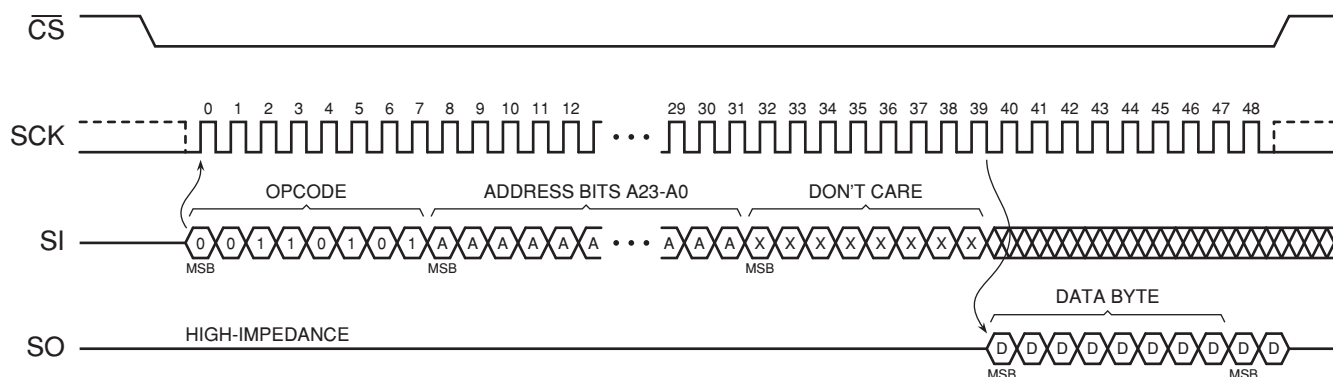
At clock frequencies above f_{CLK} , the first byte of data output will not be valid. Therefore, if operating at clock frequencies above f_{CLK} , at least two bytes of data must be clocked out from the device in order to determine the correct status of the appropriate Sector Lockdown Register.

Table 10-2. Read Sector Lockdown Register – Output Data

| Output Data | Sector Lockdown Register Value |
|-------------|---|
| 00h | Sector Lockdown Register value is 0 (sector is not locked down) |
| FFh | Sector Lockdown Register value is 1 (sector is permanently locked down) |

Deasserting the \overline{CS} pin will terminate the read operation and put the SO pin into a high-impedance state. The \overline{CS} pin can be deasserted at any time and does not require that a full byte of data be read.

Figure 10-3. Read Sector Lockdown Register



10.4 Program OTP Security Register

The device contains a specialized OTP (One-Time Programmable) Security Register that can be used for purposes such as unique device serialization, system-level Electronic Serial Number (ESN) storage, locked key storage, etc. The OTP Security Register is independent of the main Flash memory array and is comprised of a total of 128-bytes of memory divided into two portions. The first 64-bytes (byte locations 0 through 63) of the OTP Security Register are allocated as a one-time user-programmable space. Once these 64-bytes have been programmed, they cannot be erased or reprogrammed. The remaining 64-bytes of the OTP Security Register (byte locations 64 through 127) are factory programmed by Adesto and will contain a unique value for each device. The factory programmed data is fixed and cannot be changed.

Table 10-3. OTP Security Register

| Security Register Byte Number | | | | | | | | | |
|----------------------------------|---|-----|----|----|------------------------------|----|-----|-----|-----|
| 0 | 1 | ... | 62 | 63 | 64 | 65 | ... | 126 | 127 |
| One-Time User Programmable | | | | | Factory Programmed by Adesto | | | | |

The user-programmable portion of the OTP Security Register does not need to be erased before it is programmed. In addition, the Program OTP Security Register command operates on the entire 64-byte user-programmable portion of the OTP Security Register at one time. Once the user-programmable space has been programmed with any number of bytes, the user-programmable space cannot be programmed again; therefore, it is not possible to only program the first two bytes of the register and then program the remaining 62-bytes at a later time.

Before the Program OTP Security Register command can be issued, the Write Enable command must have been previously issued to set the WEL bit in the Status Register to a logical “1”. To program the OTP Security Register, the \overline{CS} pin must first be asserted and an opcode of 9Bh must be clocked into the device followed by the three address bytes denoting the first byte location of the OTP Security Register to begin programming at. Since the size of the user-programmable portion of the OTP Security Register is 64-bytes, the upper order address bits do not need to be decoded by the device. Therefore, address bits A23-A6 will be ignored by the device and their values can be either a logical “1” or “0”. After the address bytes have been clocked in, data can then be clocked into the device and will be stored in the internal buffer.

If the starting memory address denoted by A23-A0 does not start at the beginning of the OTP Security Register memory space (A5-A0 are not all 0), then special circumstances regarding which OTP Security Register locations to be programmed will apply. In this situation, any data that is sent to the device that goes beyond the end of the 64-byte user-programmable space will wrap around back to the beginning of the OTP Security Register. For example, if the starting address denoted by A23-A0 is 00003Eh, and three bytes of data are sent to the device, then the first two bytes of data will be programmed at OTP Security Register addresses 00003Eh and 00003Fh while the last byte of data will be programmed at address 000000h. The remaining bytes in the OTP Security Register (addresses 000001h through 00003Dh) will not be programmed and will remain in the erased state (FFh). In addition, if more than 64-bytes of data are sent to the device, then only the last 64-bytes sent will be latched into the internal buffer.

When the \overline{CS} pin is deasserted, the device will take the data stored in the internal buffer and program it into the appropriate OTP Security Register locations based on the starting address specified by A23-A0 and the number of data bytes sent to the device. If less than 64-bytes of data were sent to the device, then the remaining bytes within the OTP Security Register will not be programmed and will remain in the erased state (FFh). The programming of the data bytes is internally self-timed and should take place in a time of t_{OTP} . It is not possible to suspend the programming of the OTP Security Register.

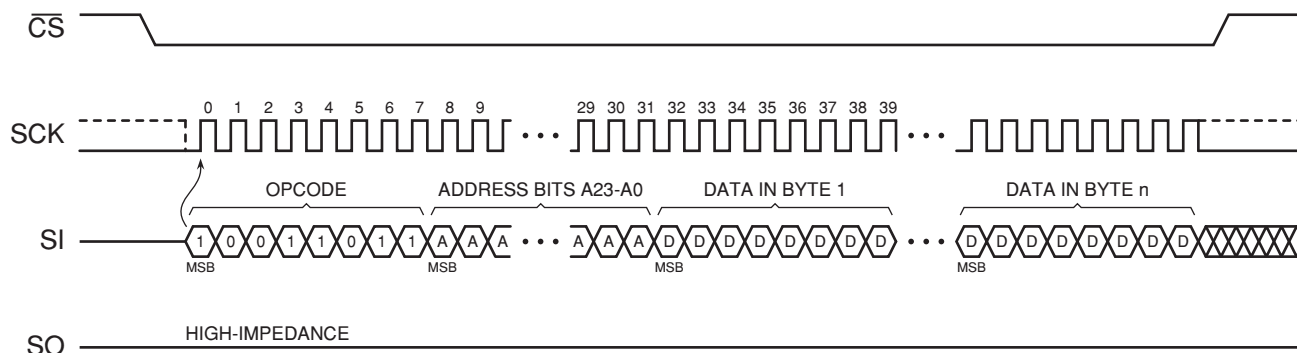
The three address bytes and at least one complete byte of data must be clocked into the device before the \overline{CS} pin is deasserted, and the \overline{CS} pin must be deasserted on even byte boundaries (multiples of eight bits); otherwise, the device will abort the operation and the user-programmable portion of the OTP Security Register will not be programmed. The WEL bit in the Status Register will be reset back to the logical “0” state if the OTP Security Register program cycle aborts due to an incomplete address being sent, an incomplete byte of data being sent, the \overline{CS} pin being deasserted on uneven byte boundaries, or because the user-programmable portion of the OTP Security Register was previously programmed.

While the device is programming the OTP Security Register, the Status Register can be read and will indicate that the device is busy. For faster throughput, it is recommended that the Status Register be polled rather than waiting the t_{OTPP} time to determine if the data bytes have finished programming. At some point before the OTP Security Register programming completes, the WEL bit in the Status Register will be reset back to the logical “0” state.

If the device is powered-down during the OTP Security Register program cycle, then the contents of the 64-byte user programmable portion of the OTP Security Register cannot be guaranteed and cannot be programmed again.

The Program OTP Security Register command utilizes the internal 256-buffer for processing. Therefore, the contents of the buffer will be altered from its previous state when this command is issued.

Figure 10-4. Program OTP Security Register



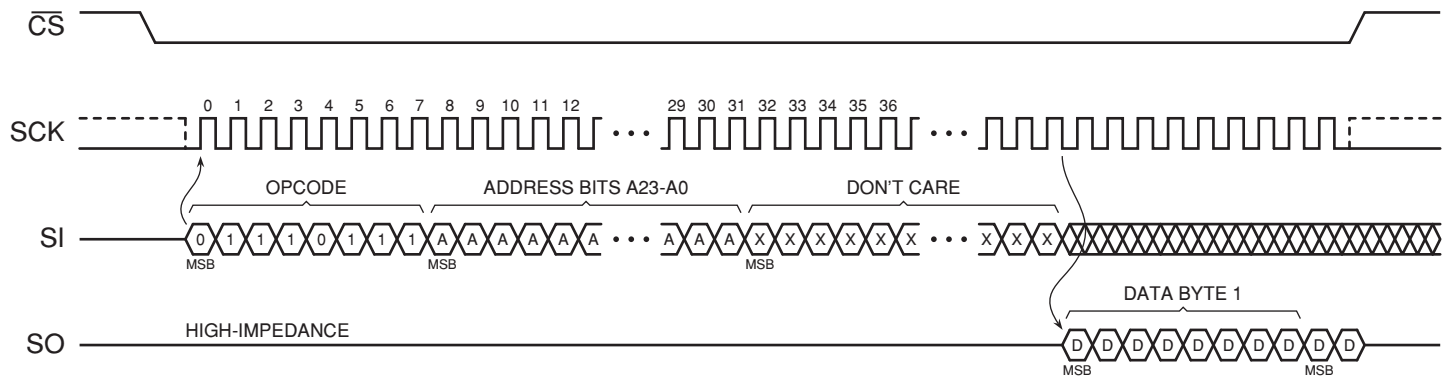
10.5 Read OTP Security Register

The OTP Security Register can be sequentially read in a similar fashion to the Read Array operation up to the maximum clock frequency specified by f_{MAX} . To read the OTP Security Register, the \overline{CS} pin must first be asserted and the opcode of 77h must be clocked into the device. After the opcode has been clocked in, the three address bytes must be clocked in to specify the starting address location of the first byte to read within the OTP Security Register. Following the three address bytes, two dummy bytes must be clocked into the device before data can be output.

After the three address bytes and the dummy bytes have been clocked in, additional clock cycles will result in OTP Security Register data being output on the SO pin. When the last byte (00007Fh) of the OTP Security Register has been read, the device will continue reading back at the beginning of the register (000000h). No delays will be incurred when wrapping around from the end of the register to the beginning of the register.

Deasserting the \overline{CS} pin will terminate the read operation and put the SO pin into a high-impedance state. The \overline{CS} pin can be deasserted at any time and does not require that a full byte of data be read.

Figure 10-5. Read OTP Security Register



11. Status Register Commands

11.1 Read Status Register

The two-byte Status Register can be read to determine the device’s ready/busy status, as well as the status of many other functions such as Hardware Locking and Software Protection. The Status Register can be read at any time, including during an internally self-timed program or erase operation.

To read the Status Register, the \overline{CS} pin must first be asserted and the opcode of 05h must be clocked into the device. After the opcode has been clocked in, the device will begin outputting Status Register data on the SO pin during every subsequent clock cycle. After the second byte of the Status Register has been clocked out, the sequence will repeat itself starting again with the first byte of the Status Register as long as the \overline{CS} pin remains asserted and the clock pin is being pulsed. The data in the Status Register is constantly being updated, so each repeating sequence will output new data. The RDY/BSY status is available for both bytes of the Status Register and is updated for each byte.

At clock frequencies above f_{CLK} , the first two bytes of data output from the Status Register will not be valid. Therefore, if operating at clock frequencies above f_{CLK} , at least four bytes of data must be clocked out from the device in order to read the correct values of both bytes of the Status Register.

Deasserting the \overline{CS} pin will terminate the Read Status Register operation and put the SO pin into a high-impedance state. The \overline{CS} pin can be deasserted at any time and does not require that a full byte of data be read.

Table 11-1. Status Register Format – Byte 1

| Bit ⁽¹⁾ | Name | | Type ⁽²⁾ | Description | |
|--------------------|---------|--|---------------------|-------------|---|
| 7 | SPRL | Sector Protection Registers Locked | R/W | 0 | Sector Protection Registers are unlocked (default) |
| | | | | 1 | Sector Protection Registers are locked |
| 6 | RES | Reserved for future use | R | 0 | Reserved for future use |
| 5 | EPE | Erase/Program Error | R | 0 | Erase or program operation was successful |
| | | | | 1 | Erase or program error detected |
| 4 | WPP | Write Protect (\overline{WP}) Pin Status | R | 0 | \overline{WP} is asserted |
| | | | | 1 | \overline{WP} is deasserted |
| 3:2 | SWP | Software Protection Status | R | 00 | All sectors are software unprotected (all Sector Protection Registers are 0) |
| | | | | 01 | Some sectors are software protected. Read individual Sector Protection Registers to determine which sectors are protected |
| | | | | 10 | Reserved for future use |
| | | | | 11 | All sectors are software protected (all Sector Protection Registers are 1 – default) |
| 1 | WEL | Write Enable Latch Status | R | 0 | Device is not write enabled (default) |
| | | | | 1 | Device is write enabled |
| 0 | RDY/BSY | Ready/Busy Status | R | 0 | Device is ready |
| | | | | 1 | Device is busy with an internal operation |

Notes: 1. Only bit 7 of Status Register Byte 1 will be modified when using the Write Status Register Byte 1 command.

2. R/W = Readable and writeable

R = Readable only

Table 11-2. Status Register Format – Byte 2

| Bit ⁽¹⁾ | Name | | Type ⁽²⁾ | Description | |
|--------------------|---------|-------------------------|---------------------|-------------|--|
| 7 | RES | Reserved for future use | R | 0 | Reserved for future use |
| 6 | RES | Reserved for future use | R | 0 | Reserved for future use |
| 5 | RES | Reserved for future use | R | 0 | Reserved for future use |
| 4 | RSTE | Reset Enabled | R/W | 0 | Reset command is disabled (default) |
| | | | | 1 | Reset command is enabled |
| 3 | SLE | Sector Lockdown Enabled | R/W | 0 | Sector Lockdown and Freeze Sector Lockdown State commands are disabled (default) |
| | | | | 1 | Sector Lockdown and Freeze Sector Lockdown State commands are enabled |
| 2 | RES | Reserved for future use | R | 0 | Reserved for future use |
| 1 | RES | Reserved for future use | R | 0 | Reserved for future use |
| 0 | RDY/BSY | Ready/Busy Status | R | 0 | Device is ready |
| | | | | 1 | Device is busy with an internal operation |

- Notes:
1. Only bits 4 and 3 of Status Register Byte 2 will be modified when using the Write Status Register Byte 2 command.
 2. R/W = Readable and writeable
R = Readable only

11.1.1 SPRL Bit

The SPRL bit is used to control whether the Sector Protection Registers can be modified or not. When the SPRL bit is in the logical “1” state, all Sector Protection Registers are locked and cannot be modified with the Protect Sector and Unprotect Sector commands (the device will ignore these commands). In addition, the Global Protect and Global Unprotect features cannot be performed. Any sectors that are presently protected will remain protected, and any sectors that are presently unprotected will remain unprotected.

When the SPRL bit is in the logical “0” state, all Sector Protection Registers are unlocked and can be modified (the Protect Sector and Unprotect Sector commands, as well as the Global Protect and Global Unprotect features, will be processed as normal). The SPRL bit defaults to the logical “0” state after device power-up. The Reset command has no effect on the SPRL bit.

The SPRL bit can be modified freely whenever the \overline{WP} pin is deasserted. However, if the \overline{WP} pin is asserted, then the SPRL bit may only be changed from a logical “0” (Sector Protection Registers are unlocked) to a logical “1” (Sector Protection Registers are locked). In order to reset the SPRL bit back to a logical “0” using the Write Status Register Byte 1 command, the \overline{WP} pin will have to first be deasserted.

The SPRL bit is the only bit of Status Register Byte 1 that can be user modified via the Write Status Register Byte 1 command.

11.1.2 EPE Bit

The EPE bit indicates whether the last erase or program operation completed successfully or not. If at least one byte during the erase or program operation did not erase or program properly, then the EPE bit will be set to the logical “1” state. The EPE bit will not be set if an erase or program operation aborts for any reason such as an attempt to erase or program a protected region or a locked down sector or if the WEL bit is not set prior to an erase or program operation. The EPE bit will be updated after every erase and program operation.

11.1.3 WPP Bit

The WPP bit can be read to determine if the \overline{WP} pin has been asserted or not.

11.1.4 SWP Bits

The SWP bits provide feedback on the software protection status for the device. There are three possible combinations of the SWP bits that indicate whether none, some, or all of the sectors have been protected using the Protect Sector command or the Global Protect feature. If the SWP bits indicate that some of the sectors have been protected, then the individual Sector Protection Registers can be read with the Read Sector Protection Registers command to determine which sectors are in fact protected.

11.1.5 WEL Bit

The WEL bit indicates the current status of the internal Write Enable Latch. When the WEL bit is in the logical “0” state, the device will not accept any Byte/Page Program, erase, Protect Sector, Unprotect Sector, Sector Lockdown, Freeze Sector Lockdown State, Program OTP Security Register, or Write Status Register commands. The WEL bit defaults to the logical “0” state after a device power-up or reset operation. In addition, the WEL bit will be reset to the logical “0” state automatically under the following conditions:

- Write Disable operation completes successfully
- Write Status Register operation completes successfully or aborts
- Protect Sector operation completes successfully or aborts
- Unprotect Sector operation completes successfully or aborts
- Sector Lockdown operation completes successfully or aborts
- Freeze Sector Lockdown State operation completes successfully or aborts
- Program OTP Security Register operation completes successfully or aborts
- Byte/Page Program operation completes successfully or aborts
- Block Erase operation completes successfully or aborts
- Chip Erase operation completes successfully or aborts
- Hold condition aborts

If the WEL bit is in the logical “1” state, it will not be reset to a logical “0” if an operation aborts due to an incomplete or unrecognized opcode being clocked into the device before the \overline{CS} pin is deasserted. In order for the WEL bit to be reset when an operation aborts prematurely, the entire opcode for a Byte/Page Program, erase, Protect Sector, Unprotect Sector, Sector Lockdown, Freeze Sector Lockdown State, Program OTP Security Register, or Write Status Register command must have been clocked into the device.

11.1.6 RSTE Bit

The RSTE bit is used to enable or disable the Reset command. When the RSTE bit is in the logical “0” state (the default state after power-up), the Reset command is disabled and any attempts to reset the device using the Reset command will be ignored. When the RSTE bit is in the logical “1” state, the Reset command is enabled.

The RSTE bit will retain its state as long as power is applied to the device. Once set to the logical “1” state, the RSTE bit will remain in that state until it is modified using the Write Status Register Byte 2 command or until the device has been power cycled. The Reset command itself will not change the state of the RSTE bit.

11.1.7 SLE Bit

The SLE bit is used to enable and disable the Sector Lockdown and Freeze Sector Lockdown State commands. When the SLE bit is in the logical “0” state (the default state after power-up), the Sector Lockdown and Freeze Sector Lockdown commands are disabled. If the Sector Lockdown and Freeze Sector Lockdown commands are disabled, then any attempts to issue the commands will be ignored. This provides a safeguard for these commands against accidental or erroneous execution. When the SLE bit is in the logical “1” state, the Sector Lockdown and Freeze Sector Lockdown State commands are enabled.

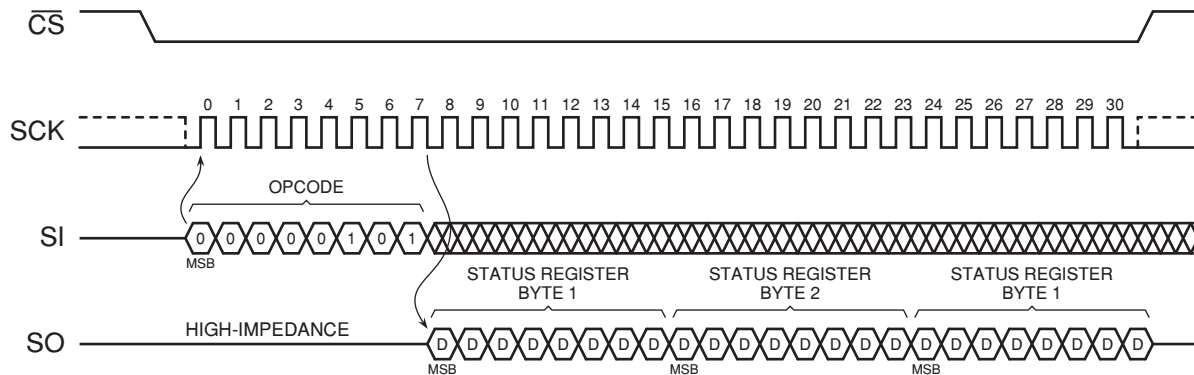
Unlike the WEL bit, the SLE bit does not automatically reset after certain device operations. Therefore, once set, the SLE bit will remain in the logical “1” state until it is modified using the Write Status Register Byte 2 command or until the device has been power cycled. The Reset command has no effect on the SLE bit.

If the Freeze Sector Lockdown State command has been issued, then the SLE bit will be permanently reset in the logical “0” state to indicate that the Sector Lockdown command has been disabled.

11.1.8 RDY/BSY Bit

The RDY/BSY bit is used to determine whether or not an internal operation, such as a program or erase, is in progress. To poll the RDY/BSY bit to detect the completion of a program or erase cycle, new Status Register data must be continually clocked out of the device until the state of the RDY/BSY bit changes from a logical “1” to a logical “0”.

Figure 11-1. Read Status Register



11.2 Write Status Register Byte 1

The Write Status Register Byte 1 command is used to modify the SPRL bit of the Status Register and/or to perform a Global Protect or Global Unprotect operation. Before the Write Status Register Byte 1 command can be issued, the Write Enable command must have been previously issued to set the WEL bit in the Status Register to a logical “1”.

To issue the Write Status Register Byte 1 command, the \overline{CS} pin must first be asserted and the opcode of 01h must be clocked into the device followed by one byte of data. The one byte of data consists of the SPRL bit value, a don't care bit, four data bits to denote whether a Global Protect or Unprotect should be performed, and two additional don't care bits (see Table 11-3). Any additional data bytes that are sent to the device will be ignored. When the \overline{CS} pin is deasserted, the SPRL bit in the Status Register will be modified, and the WEL bit in the Status Register will be reset back to a logical “0”. The values of bits five, four, three, and two and the state of the SPRL bit before the Write Status Register Byte 1 command was executed (the prior state of the SPRL bit) will determine whether or not a Global Protect or Global Unprotect will be performed. Please refer to “Global Protect/Unprotect” on page 21 for more details.

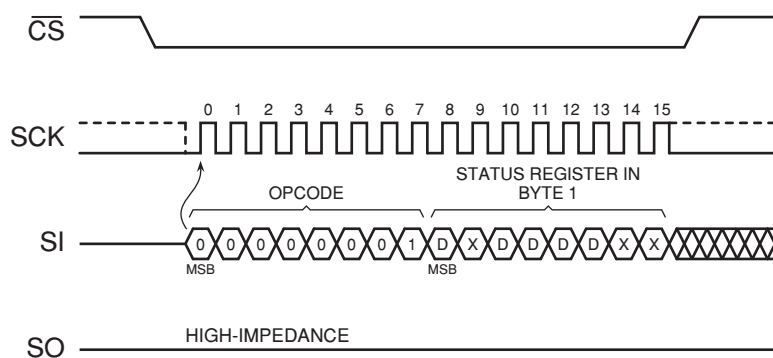
The complete one byte of data must be clocked into the device before the \overline{CS} pin is deasserted, and the \overline{CS} pin must be deasserted on even byte boundaries (multiples of eight bits); otherwise, the device will abort the operation, the state of the SPRL bit will not change, no potential Global Protect or Unprotect will be performed, and the WEL bit in the Status Register will be reset back to the logical “0” state.

If the \overline{WP} pin is asserted, then the SPRL bit can only be set to a logical “1”. If an attempt is made to reset the SPRL bit to a logical “0” while the \overline{WP} pin is asserted, then the Write Status Register Byte 1 command will be ignored, and the WEL bit in the Status Register will be reset back to the logical “0” state. In order to reset the SPRL bit to a logical “0”, the \overline{WP} pin must be deasserted.

Table 11-3. Write Status Register Byte 1 Format

| Bit 7 | Bit 6 | Bit 5 | Bit 4 | Bit 3 | Bit 2 | Bit 1 | Bit 0 |
|-------|-------|--------------------------|-------|-------|-------|-------|-------|
| SPRL | X | Global Protect/Unprotect | | | | X | X |

Figure 11-2. Write Status Register Byte 1



11.3 Write Status Register Byte 2

The Write Status Register Byte 2 command is used to modify the RSTE and SLE bits of the Status Register. Using the Write Status Register Byte 2 command is the only way to modify the RSTE and SLE bits in the Status Register during normal device operation, and the SLE bit can only be modified if the sector lockdown state has not been frozen. Before the Write Status Register Byte 2 command can be issued, the Write Enable command must have been previously issued to set the WEL bit in the Status Register to a logical “1”.

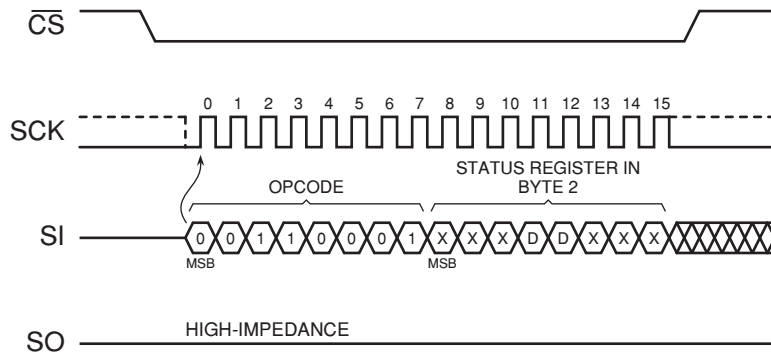
To issue the Write Status Register Byte 2 command, the \overline{CS} pin must first be asserted and the opcode of 31h must be clocked into the device followed by one byte of data. The one byte of data consists of three don't care bits, the RSTE bit value, the SLE bit value, and three additional don't care bits (see Table 11-4). Any additional data bytes that are sent to the device will be ignored. When the \overline{CS} pin is deasserted, the RSTE and SLE bits in the Status Register will be modified, and the WEL bit in the Status Register will be reset back to a logical “0”. The SLE bit will only be modified if the Freeze Sector Lockdown State command has not been previously issued.

The complete one byte of data must be clocked into the device before the \overline{CS} pin is deasserted, and the \overline{CS} pin must be deasserted on even byte boundaries (multiples of eight bits); otherwise, the device will abort the operation, the state of the RSTE and SLE bits will not change, and the WEL bit in the Status Register will be reset back to the logical “0” state.

Table 11-4. Write Status Register Byte 2 Format

| Bit 7 | Bit 6 | Bit 5 | Bit 4 | Bit 3 | Bit 2 | Bit 1 | Bit 0 |
|-------|-------|-------|-------|-------|-------|-------|-------|
| X | X | X | RSTE | SLE | X | X | X |

Figure 11-3. Write Status Register Byte 2



12. Other Commands and Functions

12.1 Reset

In some applications, it may be necessary to prematurely terminate a program or erase cycle early rather than wait the hundreds of microseconds or milliseconds necessary for the program or erase operation to complete normally. The Reset command allows a program or erase operation in progress to be ended abruptly and returns the device to an idle state. Since the need to reset the device is immediate, the Write Enable command does not need to be issued prior to the Reset command being issued. Therefore, the Reset command operates independently of the state of the WEL bit in the Status Register.

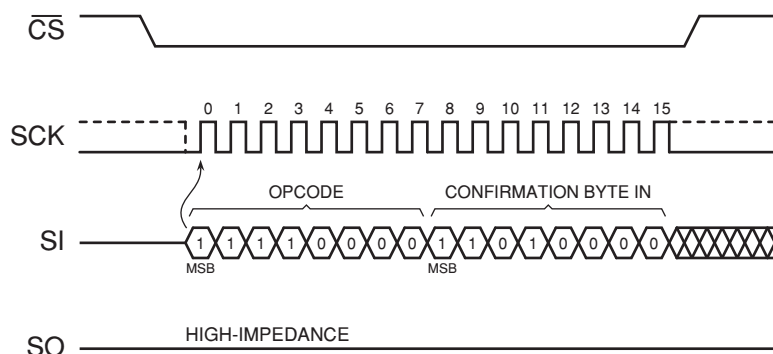
The Reset command can only be executed if the command has been enabled by setting the Reset Enabled (RSTE) bit in the Status Register to a logical “1”. If the Reset command has not been enabled (the RSTE bit is in the logical “0” state), then any attempts at executing the Reset command will be ignored.

To perform a Reset, the \overline{CS} pin must first be asserted and the opcode of F0h must be clocked into the device. No address bytes need to be clocked in, but a confirmation byte of D0h must be clocked into the device immediately after the opcode. Any additional data clocked into the device after the confirmation byte will be ignored. When the \overline{CS} pin is deasserted, the program or erase operation currently in progress will be terminated within a time of t_{RST} . Since the program or erase operation may not complete before the device is reset, the contents of the page being programmed or the block being erased cannot be guaranteed to be valid.

The Reset command has no effect on the states of the Sector Protection Registers, the Sector Lockdown Registers, or the SPRL, RSTE, and SLE bits in the Status Register. The WEL, PS, and ES bits, however, will be reset back to their default states.

The complete opcode and confirmation byte must be clocked into the device before the \overline{CS} pin is deasserted, and the \overline{CS} pin must be deasserted on an even byte boundary (multiples of eight bits); otherwise, no Reset operation will be performed.

Figure 12-1. Reset



12.2 Read Manufacturer and Device ID

Identification information can be read from the device to enable systems to electronically query and identify the device while it is in system. The identification method and the command opcode comply with the JEDEC standard for “Manufacturer and Device ID Read Methodology for SPI Compatible Serial Interface Memory Devices”. The type of information that can be read from the device includes the JEDEC defined Manufacturer ID, the vendor specific Device ID, and the vendor specific Extended Device Information.

The Read Manufacturer and Device ID command is limited to a maximum clock frequency of f_{CLK} . Since not all Flash devices are capable of operating at very high clock frequencies, applications should be designed to read the identification information from the devices at a reasonably low clock frequency to ensure that all devices to be used in the application can be identified properly. Once the identification process is complete, the application can then increase the clock frequency to accommodate specific Flash devices that are capable of operating at the higher clock frequencies.

To read the identification information, the \overline{CS} pin must first be asserted and the opcode of 9Fh must be clocked into the device. After the opcode has been clocked in, the device will begin outputting the identification data on the SO pin during the subsequent clock cycles. The first byte that will be output will be the Manufacturer ID followed by two bytes of Device ID information. The fourth byte output will be the Extended Device Information String Length, which will be 00h indicating that no Extended Device Information follows. After the Extended Device Information String Length byte is output, the SO pin will go into a high-impedance state; therefore, additional clock cycles will have no affect on the SO pin and no data will be output. As indicated in the JEDEC standard, reading the Extended Device Information String Length and any subsequent data is optional.

Deasserting the \overline{CS} pin will terminate the Manufacturer and Device ID read operation and put the SO pin into a high-impedance state. The \overline{CS} pin can be deasserted at any time and does not require that a full byte of data be read.

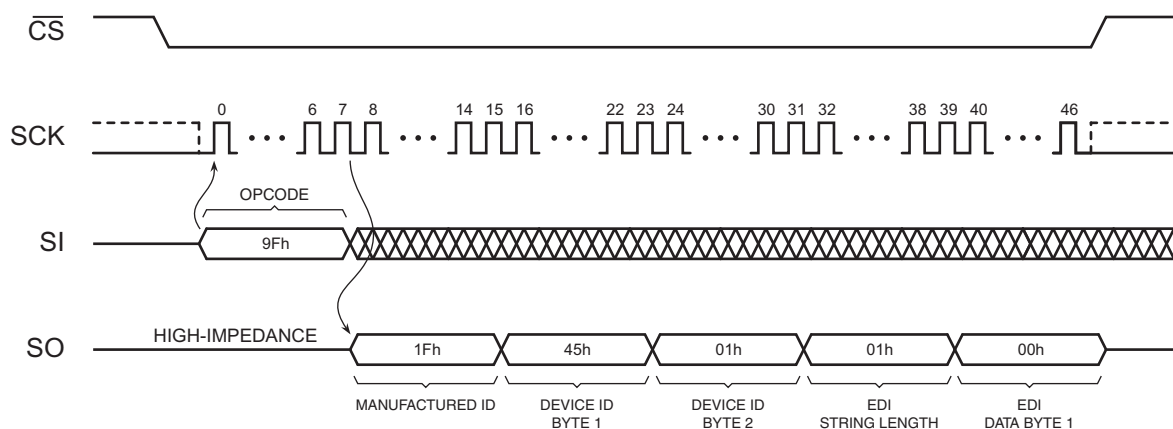
Table 12-1. Manufacturer and Device ID Information


| Byte No. | Data Type | Value |
|----------|--|-------|
| 1 | Manufacturer ID | 1Fh |
| 2 | Device ID (Part 1) | 45h |
| 3 | Device ID (Part 2) | 01h |
| 4 | [Optional to read] Extended Device Information (EDI) String Length | 01h |
| 5 | [Optional to read] EDI Byte 1 | 00h |

Table 12-2. Manufacturer and Device ID Details

| Data Type | Bit 7 | Bit 6 | Bit 5 | Bit 4 | Bit 3 | Bit 2 | Bit 1 | Bit 0 | Hex Value | Details |
|--------------------|---------------------|-------|-------|----------------------|-------|-------|-------|-------|-----------|--|
| Manufacturer ID | JEDEC Assigned Code | | | | | | | | 1Fh | JEDEC Code: 0001 1111 (1Fh for Adesto) |
| | 0 | 0 | 0 | 1 | 1 | 1 | 1 | 1 | | |
| Device ID (Part 1) | Family Code | | | Density Code | | | | | 45h | Family Code: 010 (AT25DF/26DFxxx series) Density Code: 00101 (8-Mbit) |
| | 0 | 1 | 0 | 0 | 0 | 1 | 0 | 1 | | |
| Device ID (Part 2) | Sub Code | | | Product Version Code | | | | | 01h | Sub Code: 000 (Standard series) Product Version: 00001 (Second major version) |
| | 0 | 0 | 0 | 0 | 0 | 0 | 0 | 1 | | |

Figure 12-2. Read Manufacturer and Device ID



Note: Each transition  shown for SI and SO represents one byte (8 bits)

12.3 Deep Power-Down

During normal operation, the device will be placed in the standby mode to consume less power as long as the \overline{CS} pin remains deasserted and no internal operation is in progress. The Deep Power-Down command offers the ability to place the device into an even lower power consumption state called the Deep Power-Down mode.

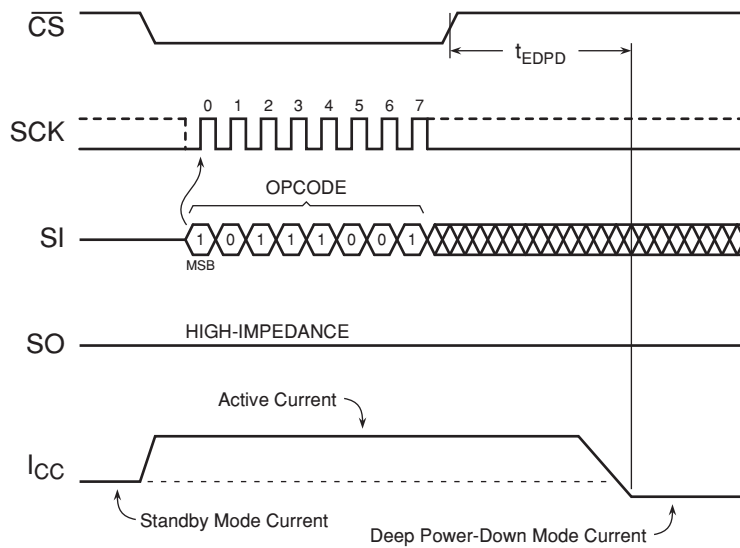
When the device is in the Deep Power-Down mode, all commands including the Read Status Register command will be ignored with the exception of the Resume from Deep Power-Down command. Since all commands will be ignored, the mode can be used as an extra protection mechanism against program and erase operations.

Entering the Deep Power-Down mode is accomplished by simply asserting the \overline{CS} pin, clocking in the opcode of B9h, and then deasserting the \overline{CS} pin. Any additional data clocked into the device after the opcode will be ignored. When the \overline{CS} pin is deasserted, the device will enter the Deep Power-Down mode within the maximum time of t_{EDPD} .

The complete opcode must be clocked in before the \overline{CS} pin is deasserted, and the \overline{CS} pin must be deasserted on an even byte boundary (multiples of eight bits); otherwise, the device will abort the operation and return to the standby mode once the \overline{CS} pin is deasserted. In addition, the device will default to the standby mode after a power-cycle.

The Deep Power-Down command will be ignored if an internally self-timed operation such as a program or erase cycle is in progress. The Deep Power-Down command must be reissued after the internally self-timed operation has been completed in order for the device to enter the Deep Power-Down mode.

Figure 12-3. Deep Power-Down



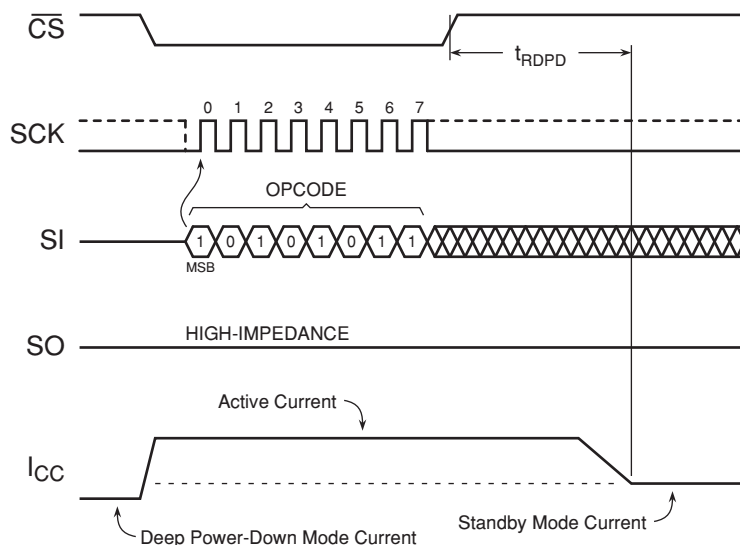
12.4 Resume from Deep Power-Down

In order to exit the Deep Power-Down mode and resume normal device operation, the Resume from Deep Power-Down command must be issued. The Resume from Deep Power-Down command is the only command that the device will recognize while in the Deep Power-Down mode.

To resume from the Deep Power-Down mode, the $\overline{\text{CS}}$ pin must first be asserted and opcode of ABh must be clocked into the device. Any additional data clocked into the device after the opcode will be ignored. When the $\overline{\text{CS}}$ pin is deasserted, the device will exit the Deep Power-Down mode within the maximum time of t_{RDPD} and return to the standby mode. After the device has returned to the standby mode, normal command operations such as Read Array can be resumed.

If the complete opcode is not clocked in before the $\overline{\text{CS}}$ pin is deasserted, or if the $\overline{\text{CS}}$ pin is not deasserted on an even byte boundary (multiples of eight bits), then the device will abort the operation and return to the Deep Power-Down mode.

Figure 12-4. Resume from Deep Power-Down



12.5 Hold

The $\overline{\text{HOLD}}$ pin is used to pause the serial communication with the device without having to stop or reset the clock sequence. The Hold mode, however, does not have an effect on any internally self-timed operations such as a program or erase cycle. Therefore, if an erase cycle is in progress, asserting the $\overline{\text{HOLD}}$ pin will not pause the operation, and the erase cycle will continue until it is finished.

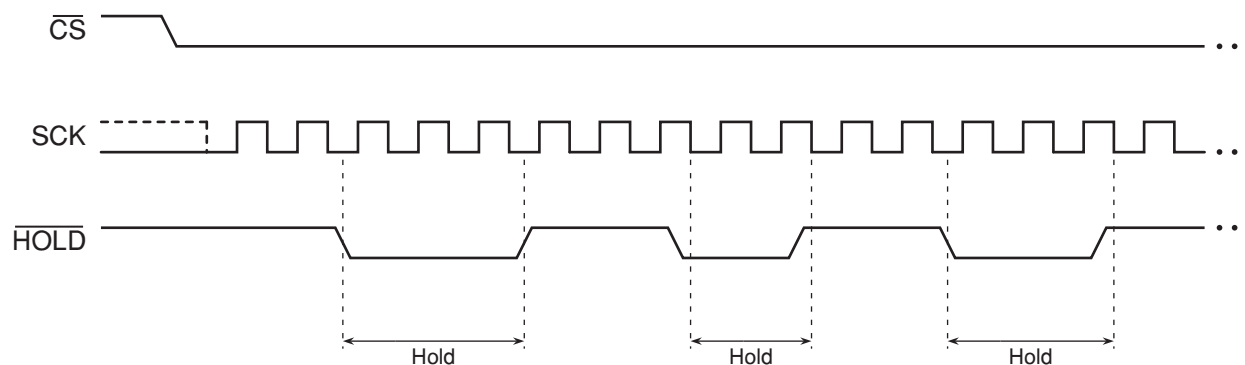
The Hold mode can only be entered while the $\overline{\text{CS}}$ pin is asserted. The Hold mode is activated simply by asserting the $\overline{\text{HOLD}}$ pin during the SCK low pulse. If the $\overline{\text{HOLD}}$ pin is asserted during the SCK high pulse, then the Hold mode won't be started until the beginning of the next SCK low pulse. The device will remain in the Hold mode as long as the $\overline{\text{HOLD}}$ pin and $\overline{\text{CS}}$ pin are asserted.

While in the Hold mode, the SO pin will be in a high-impedance state. In addition, both the SI pin and the SCK pin will be ignored. The $\overline{\text{WP}}$ pin, however, can still be asserted or deasserted while in the Hold mode.

To end the Hold mode and resume serial communication, the $\overline{\text{HOLD}}$ pin must be deasserted during the SCK low pulse. If the $\overline{\text{HOLD}}$ pin is deasserted during the SCK high pulse, then the Hold mode won't end until the beginning of the next SCK low pulse.

If the $\overline{\text{CS}}$ pin is deasserted while the $\overline{\text{HOLD}}$ pin is still asserted, then any operation that may have been started will be aborted, and the device will reset the WEL bit in the Status Register back to the logical "0" state.

Figure 12-5. Hold Mode



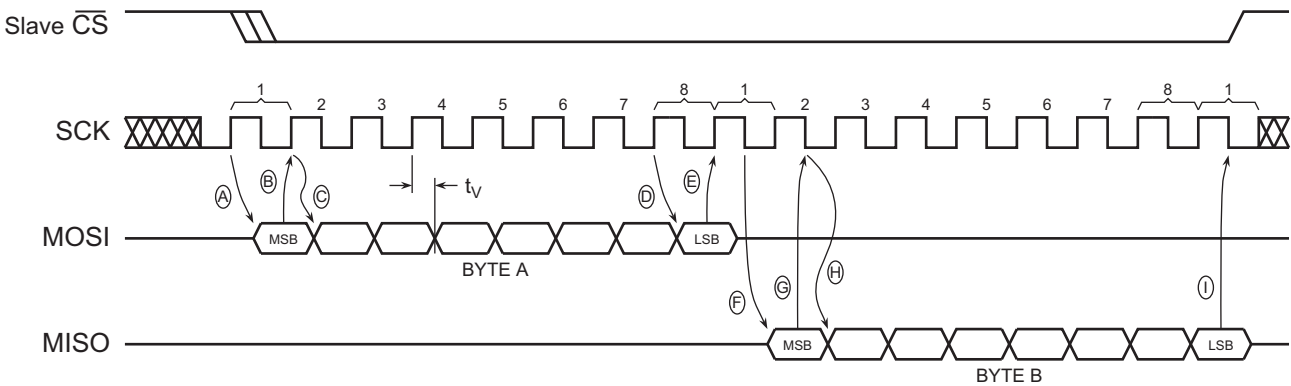
13. RapidS Implementation

To implement RapidS and operate at clock frequencies higher than what can be achieved in a viable SPI implementation, a full clock cycle can be used to transmit data back and forth across the serial bus. The AT25DF081A is designed to always clock its data out on the falling edge of the SCK signal and clock data in on the rising edge of SCK.

For full clock cycle operation to be achieved, when the AT25DF081A is clocking data out on the falling edge of SCK, the host controller should wait until the next falling edge of SCK to latch the data in. Similarly, the host controller should clock its data out on the rising edge of SCK in order to give the AT25DF081A a full clock cycle to latch the incoming data in on the next rising edge of SCK.

Implementing RapidS allows a system to run at higher clock frequencies since a full clock cycle is used to accommodate a device's clock-to-output time, input setup time, and associated rise/fall times. For example, if the system clock frequency is 100 MHz (10ns cycle time) with a 50% duty cycle, and the host controller has an input setup time of 2ns, then a standard SPI implementation would require that the slave device be capable of outputting its data in less than 3ns to meet the 2ns host controller setup time $[(10\text{ns} \times 50\%) - 2\text{ns}]$ not accounting for rise/fall times. In an SPI mode 0 or 3 implementation, the SPI master is designed to clock in data on the next immediate rising edge of SCK after the SPI slave has clocked its data out on the preceding falling edge. This essentially makes SPI a half-clock cycle protocol and requires extremely fast clock-to-output times and input setup times in order to run at high clock frequencies. With a RapidS implementation of this example, however, the full 10ns cycle time is available which gives the slave device up to 8ns, not accounting for rise/fall times, to clock its data out. Likewise, with RapidS, the host controller has more time available to output its data to the slave since the slave device would be clocking that data in a full clock cycle later.

Figure 13-1. RapidS Operation



MOSI = Master Out, Slave In MISO = Master In, Slave Out
The **Master** is the ASIC/MCU and the **Slave** is the memory device

The **Master** always clocks data **out on the rising edge** of SCK and always clocks data **in on the falling edge** of SCK
The **Slave** always clocks data **out on the falling edge** of SCK and always clocks data **in on the rising edge** of SCK

- A. **Master** clocks **out** first bit of BYTE A on the **rising edge** of SCK
- B. **Slave** clocks **in** first bit of BYTE A on the next **rising edge** of SCK
- C. Master clocks out second bit of BYTE A on the same rising edge of SCK
- D. Last bit of BYTE A is clocked out from the Master
- E. Last bit of BYTE A is clocked into the slave
- F. Slave clocks out first bit of BYTE B
- G. Master clocks in first bit of BYTE B
- H. Slave clocks out second bit of BYTE B
- I. Master clocks in last bit of BYTE B

14. Electrical Specifications

14.1 Absolute Maximum Ratings*

| | |
|--|--------------------------|
| Temperature under Bias | -55°C to +125°C |
| Storage Temperature..... | -65°C to +150°C |
| All Input Voltages (including NC Pins) with Respect to Ground..... | -0.6V to +4.1V |
| All Output Voltages with Respect to Ground..... | -0.6V to $V_{CC} + 0.5V$ |

*NOTICE: Stresses beyond those listed under “Absolute Maximum Ratings” may cause permanent damage to the device. This is a stress rating only and functional operation of the device at these or any other conditions beyond those indicated in the operational sections of this specification is not implied. Exposure to absolute maximum rating conditions for extended periods may affect device reliability.

14.2 DC and AC Operating Range

| | | AT25DF081A |
|------------------------------|------|---------------|
| Operating Temperature (Case) | Ind. | -40°C to 85°C |
| V_{CC} Power Supply | | 2.7V to 3.6V |

14.3 DC Characteristics

| Symbol | Parameter | Condition | Min | Typ | Max | Units |
|-----------|-----------------------------------|---|---------------------|-----|---------------------|---------|
| I_{SB} | Standby Current | $\overline{CS}, \overline{WP}, \overline{HOLD} = V_{CC}$, all inputs at CMOS levels | | 25 | 50 | μA |
| I_{DPD} | Deep Power-down Current | $\overline{CS}, \overline{WP}, \overline{HOLD} = V_{CC}$, all inputs at CMOS levels | | 5 | 10 | μA |
| I_{CC1} | Active Current, Read Operation | $f = 100MHz; I_{OUT} = 0mA;$ $\overline{CS} = V_{IL}, V_{CC} = Max$ | | 17 | 20 | mA |
| | | $f = 85MHz; I_{OUT} = 0mA;$ $\overline{CS} = V_{IL}, V_{CC} = Max$ | | 16 | 19 | |
| | | $f = 66MHz; I_{OUT} = 0mA;$ $\overline{CS} = V_{IL}, V_{CC} = Max$ | | 15 | 18 | |
| | | $f = 50MHz; I_{OUT} = 0mA;$ $\overline{CS} = V_{IL}, V_{CC} = Max$ | | 14 | 17 | |
| | | $f = 33MHz; I_{OUT} = 0mA;$ $\overline{CS} = V_{IL}, V_{CC} = Max$ | | 13 | 16 | |
| I_{CC2} | Active Current, Program Operation | $\overline{CS} = V_{CC}, V_{CC} = Max$ | | 10 | 15 | mA |
| I_{CC3} | Active Current, Erase Operation | $\overline{CS} = V_{CC}, V_{CC} = Max$ | | 12 | 18 | mA |
| I_{LI} | Input Leakage Current | $V_{IN} = CMOS$ levels | | | 1 | μA |
| I_{LO} | Output Leakage Current | $V_{OUT} = CMOS$ levels | | | 1 | μA |
| V_{IL} | Input Low Voltage | | | | $0.3 \times V_{CC}$ | V |
| V_{IH} | Input High Voltage | | $0.7 \times V_{CC}$ | | | V |
| V_{OL} | Output Low Voltage | $I_{OL} = 1.6mA; V_{CC} = Min$ | | | 0.4 | V |
| V_{OH} | Output High Voltage | $I_{OH} = -100\mu A; V_{CC} = Min$ | $V_{CC} - 0.2V$ | | | V |

14.4 AC Characteristics – Maximum Clock Frequencies

| Symbol | Parameter | Min | Max | Units |
|---------------------------------|--|-----|-----|-------|
| RapidS and SPI Operation | | | | |
| f_{MAX} | Maximum Clock Frequency for All Operations – RapidS Operation Only (excluding 0Bh, 03h, 3Bh, and 9F opcodes) | | 100 | MHz |
| f_{CLK} | Maximum Clock Frequency for All Operations (excluding 03h and 3Bh opcodes) | | 85 | MHz |
| f_{RDLF} | Maximum Clock Frequency for 03h Opcode (Read Array – Low Frequency) | | 50 | MHz |
| f_{RDDO} | Maximum Clock Frequency for 3Bh Opcode (Dual-Output Read) | | 85 | MHz |

14.5 AC Characteristics – All Other Parameters

| Symbol | Parameter | Min | Max | Units |
|--------------------|---|-----|-----|---------|
| t_{CLKH} | Clock High Time | 4.3 | | ns |
| t_{CLKL} | Clock Low Time | 4.3 | | ns |
| $t_{CLKR}^{(1)}$ | Clock Rise Time, Peak-to-Peak (Slew Rate) | 0.1 | | V/ns |
| $t_{CLKF}^{(1)}$ | Clock Fall Time, Peak-to-Peak (Slew Rate) | 0.1 | | V/ns |
| t_{CSH} | Chip Select High Time | 50 | | ns |
| t_{CSLS} | Chip Select Low Setup Time (relative to Clock) | 5 | | ns |
| t_{CSLH} | Chip Select Low Hold Time (relative to Clock) | 5 | | ns |
| t_{CSHS} | Chip Select High Setup Time (relative to Clock) | 5 | | ns |
| t_{CSHH} | Chip Select High Hold Time (relative to Clock) | 5 | | ns |
| t_{DS} | Data In Setup Time | 2 | | ns |
| t_{DH} | Data In Hold Time | 1 | | ns |
| $t_{DIS}^{(1)}$ | Output Disable Time | | 5 | ns |
| $t_V^{(2)}$ | Output Valid Time | | 5 | ns |
| t_{OH} | Output Hold Time | 2 | | ns |
| t_{HLS} | \overline{HOLD} Low Setup Time (relative to Clock) | 5 | | ns |
| t_{HLH} | \overline{HOLD} Low Hold Time (relative to Clock) | 5 | | ns |
| t_{HHS} | \overline{HOLD} High Setup Time (relative to Clock) | 5 | | ns |
| t_{HHH} | \overline{HOLD} High Hold Time (relative to Clock) | 5 | | ns |
| $t_{HLQZ}^{(1)}$ | \overline{HOLD} Low to Output High-Z | | 5 | ns |
| $t_{HHQZ}^{(1)}$ | \overline{HOLD} High to Output Low-Z | | 5 | ns |
| $t_{WPS}^{(1)(3)}$ | Write Protect Setup Time | 20 | | ns |
| $t_{WPH}^{(1)(3)}$ | Write Protect Hold Time | 100 | | ns |
| $t_{SECP}^{(1)}$ | Sector Protect Time (from Chip Select High) | | 20 | ns |
| $t_{SECUP}^{(1)}$ | Sector Unprotect Time (from Chip Select High) | | 20 | ns |
| $t_{LOCK}^{(1)}$ | Sector Lockdown and Freeze Sector Lockdown State Time (from Chip Select High) | | 200 | μ s |
| $t_{EDPD}^{(1)}$ | Chip Select High to Deep Power-Down | | 1 | μ s |
| $t_{RDPD}^{(1)}$ | Chip Select High to Standby Mode | | 30 | μ s |
| t_{RST} | Reset Time | | 30 | μ s |

- Notes:
1. Not 100% tested (value guaranteed by design and characterization)
 2. 15pF load at frequencies above 70MHz, 30pF otherwise
 3. Only applicable as a constraint for the Write Status Register Byte 1 command when SPRL = 1

14.6 Program and Erase Characteristics

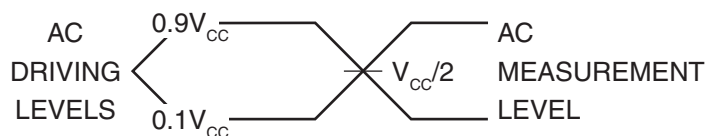
| Symbol | Parameter | Min | Typ | Max | Units |
|---------------------|------------------------------------|-----|-----|-----|---------|
| $t_{PP}^{(1)}$ | Page Program Time (256-Bytes) | | 1.0 | 3.0 | ms |
| t_{BP} | Byte Program Time | | 7 | | μ s |
| $t_{BLKE}^{(1)}$ | Block Erase Time | | 50 | 200 | ms |
| | | | 250 | 600 | |
| | | | 400 | 950 | |
| $t_{CHPE}^{(1)(2)}$ | Chip Erase Time | | 16 | 28 | sec |
| $t_{OTPP}^{(1)}$ | OTP Security Register Program Time | | 200 | 500 | μ s |
| $t_{WRSR}^{(2)}$ | Write Status Register Time | | | 200 | ns |

- Notes: 1. Maximum values indicate worst-case performance after 100,000 erase/program cycles
 2. Not 100% tested (value guaranteed by design and characterization)

14.7 Power-up Conditions

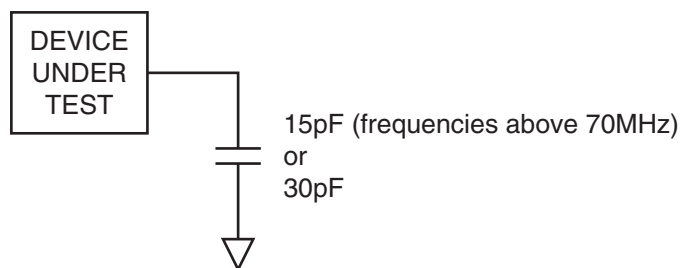
| Symbol | Parameter | Min | Max | Units |
|------------|---|-----|-----|---------|
| t_{VCSL} | Minimum V_{CC} to Chip Select Low Time | 100 | | μ s |
| t_{PUW} | Power-up Device Delay Before Program or Erase Allowed | | 10 | ms |
| V_{POR} | Power-on Reset Voltage | 1.5 | 2.5 | V |

14.8 Input Test Waveforms and Measurement Levels



$t_R, t_F < 2$ ns (10% to 90%)

14.9 Output Test Load



15. AC Waveforms

Figure 15-1. Serial Input Timing

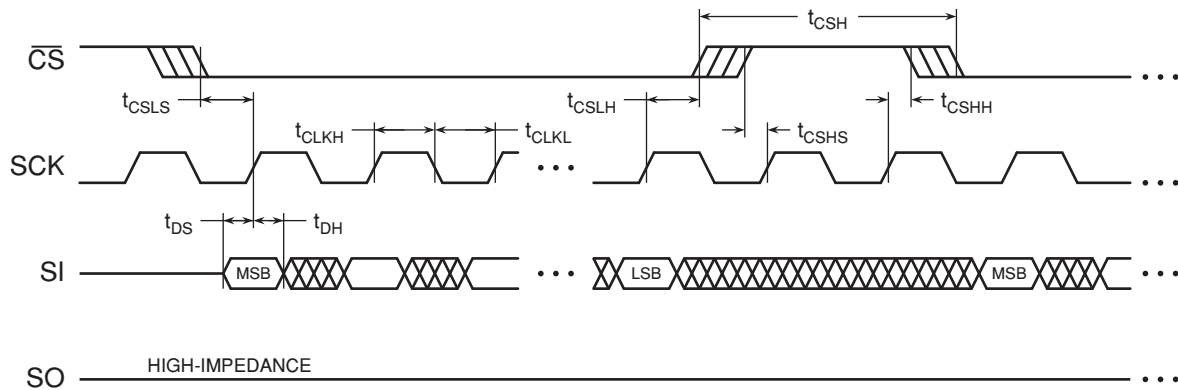


Figure 15-2. Serial Output Timing

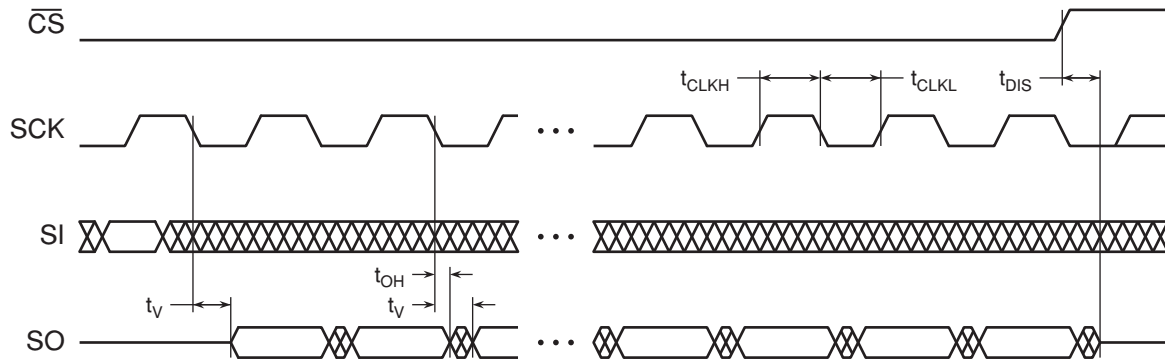


Figure 15-3. \overline{WP} Timing for Write Status Register Byte 1 Command When SPRL = 1

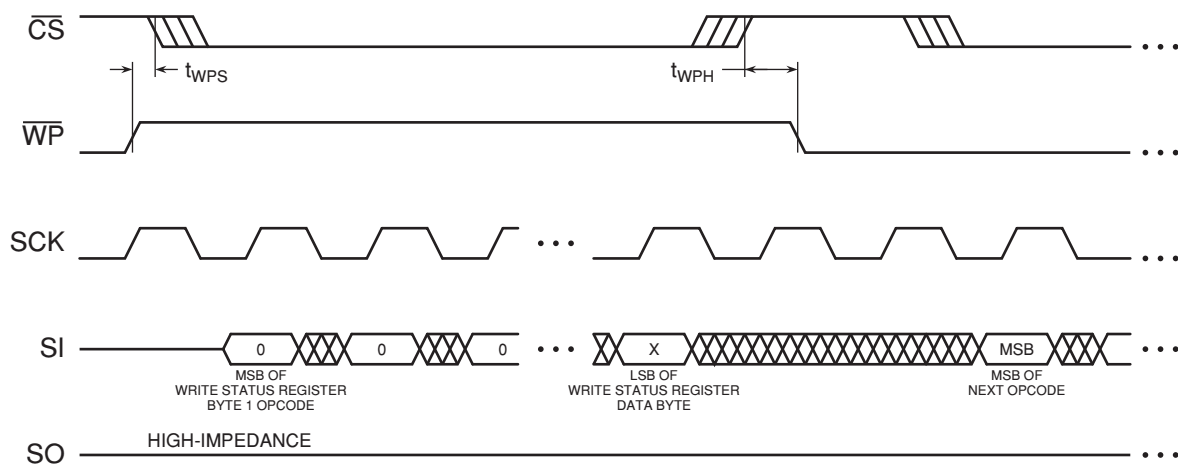


Figure 15-4. $\overline{\text{HOLD}}$ Timing – Serial Input

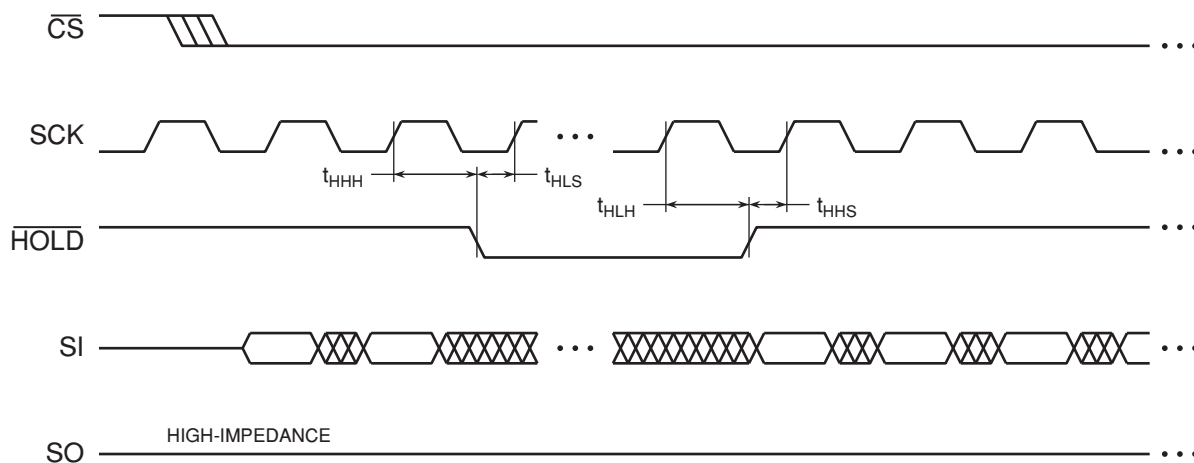
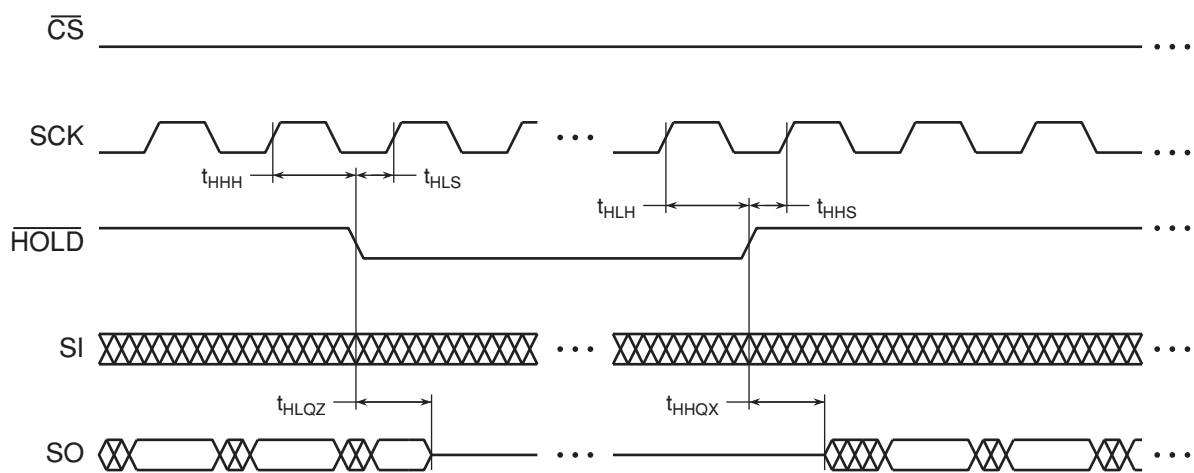
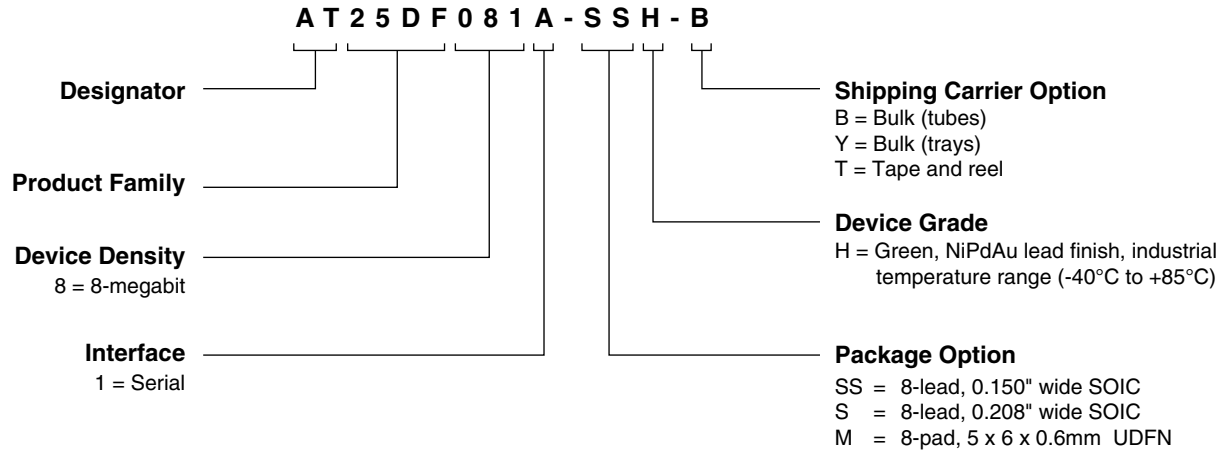


Figure 15-5. $\overline{\text{HOLD}}$ Timing – Serial Output



16. Ordering Information

16.1 Code Detail Detail



16.2 Green Package Options (Pb/Halide-free/RoHS Compliant)

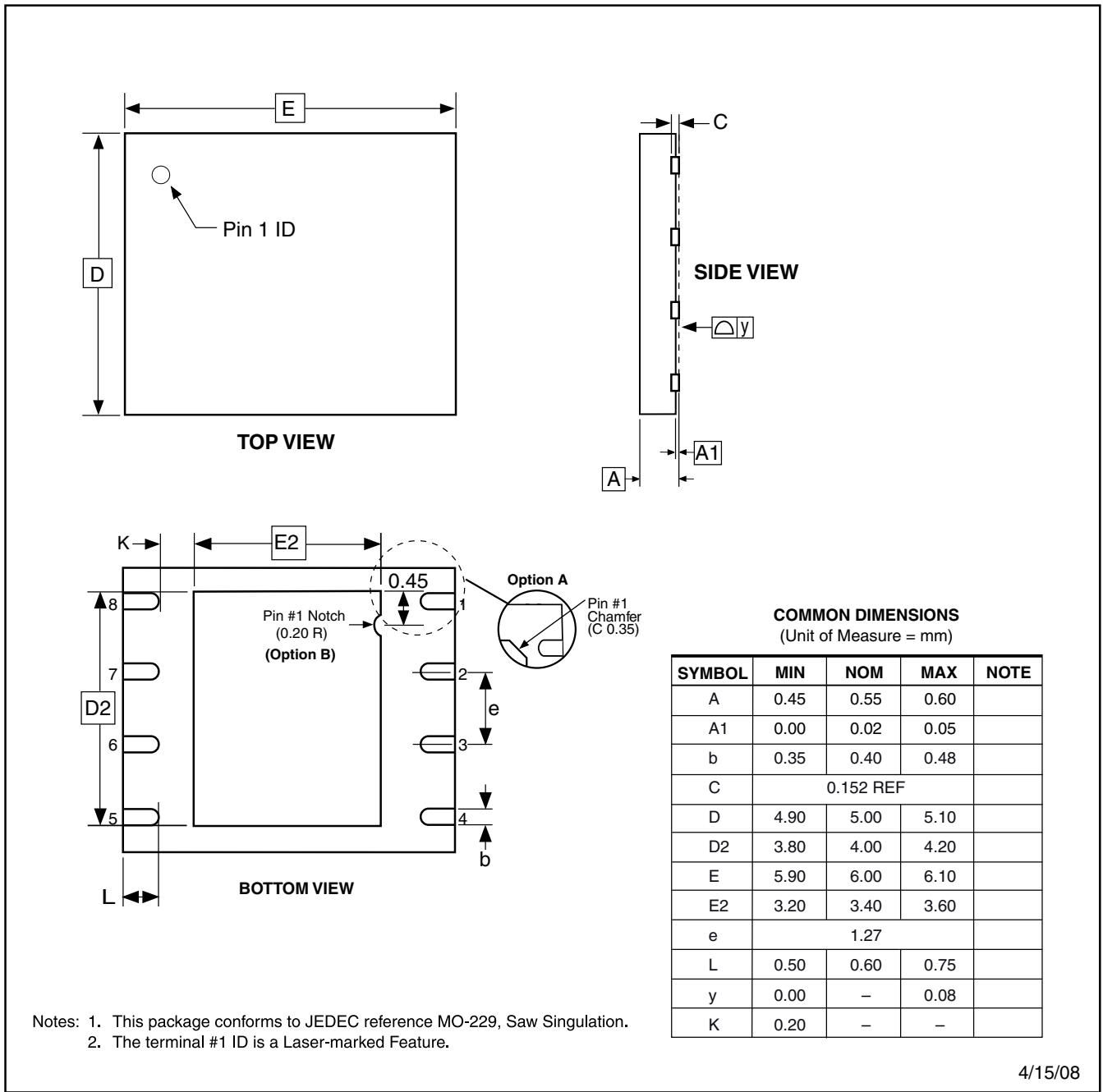
| Ordering Code | Package | Lead (Pad) Finish | Operating Voltage | Max. Freq. (MHz) | Operation Range |
|--------------------------------------|---------|-------------------|-------------------|------------------|--------------------------------|
| AT25DF081A-MH-Y AT25DF081A-MH-T | 8MA1 | NiPdAu | 2.7V to 3.6V | 100 | Industrial (-40°C to +85°C) |
| AT25DF081A-SSH-B AT25DF081A-SSH-T | 8S1 | | | | |
| AT25DF081A-SH-B AT25DF081A-SH-T | 8S2 | | | | |

Note: The shipping carrier option code is not marked on the devices.

| Package Type | |
|--------------|---|
| 8MA1 | 8-pad (5 x 6 x 0.6 mm Body), Thermally Enhanced Plastic Ultra Thin Dual Flat No Lead Package (UDFN) |
| 8S1 | 8-lead, 0.150" Wide, Plastic Gull Wing Small Outline Package (JEDEC SOIC) |
| 8S2 | 8-lead, 0.208" Wide, Plastic Gull Wing Small Outline Package (EIAJ SOIC) |

17. Packaging Information

17.1 8MA1 – UDFN

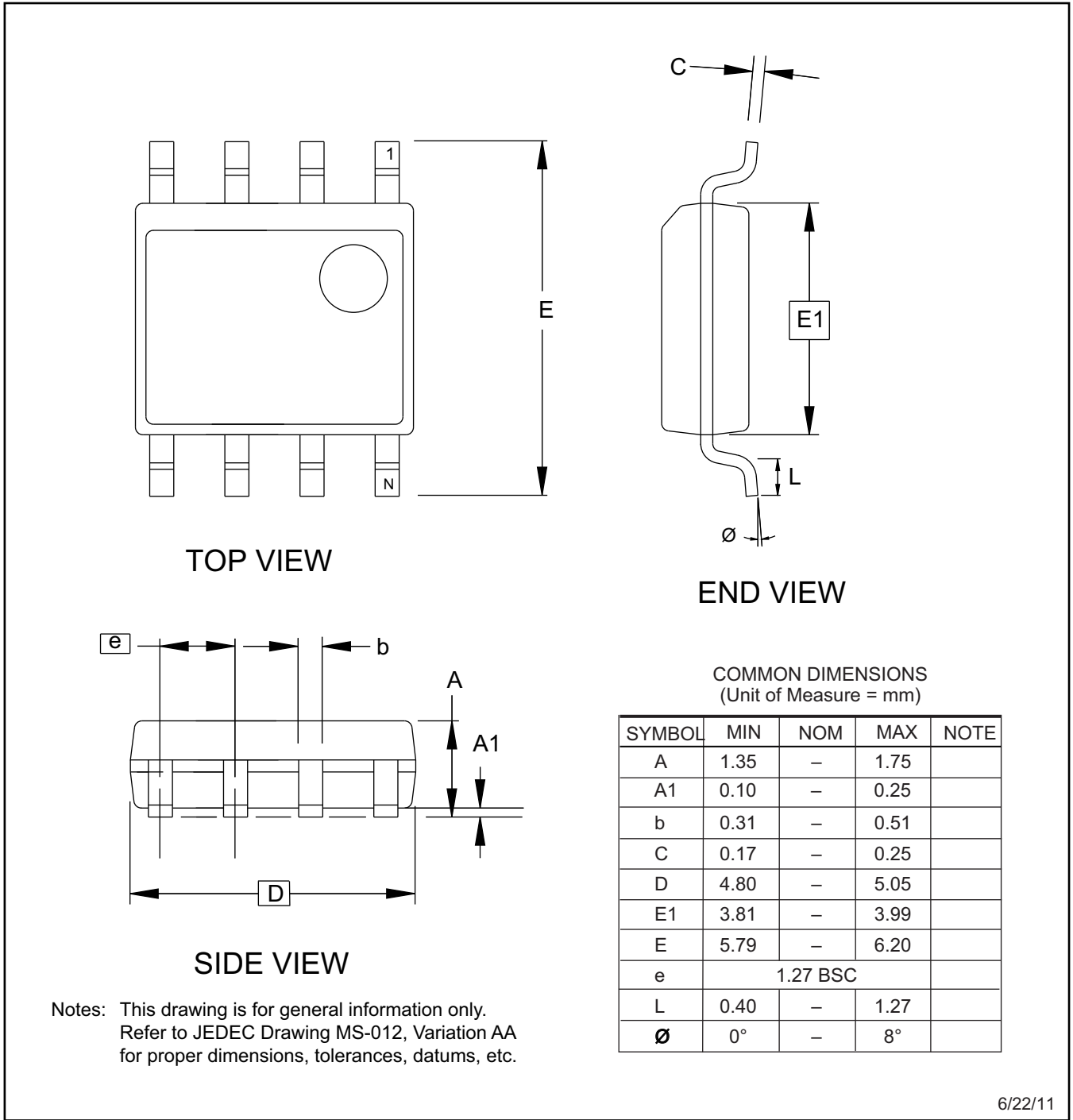


Notes: 1. This package conforms to JEDEC reference MO-229, Saw Singulation.
2. The terminal #1 ID is a Laser-marked Feature.

4/15/08

| | | | | |
|---|---|------------|--------------------|-------------|
| Package Drawing Contact: contact@adestotech.com | TITLE 8MA1, 8-pad (5 x 6 x 0.6 mm Body), Thermally Enhanced Plastic Ultra Thin Dual Flat No Lead Package (UDFN) | GPC | DRAWING NO. | REV. |
| | | YFG | 8MA1 | D |

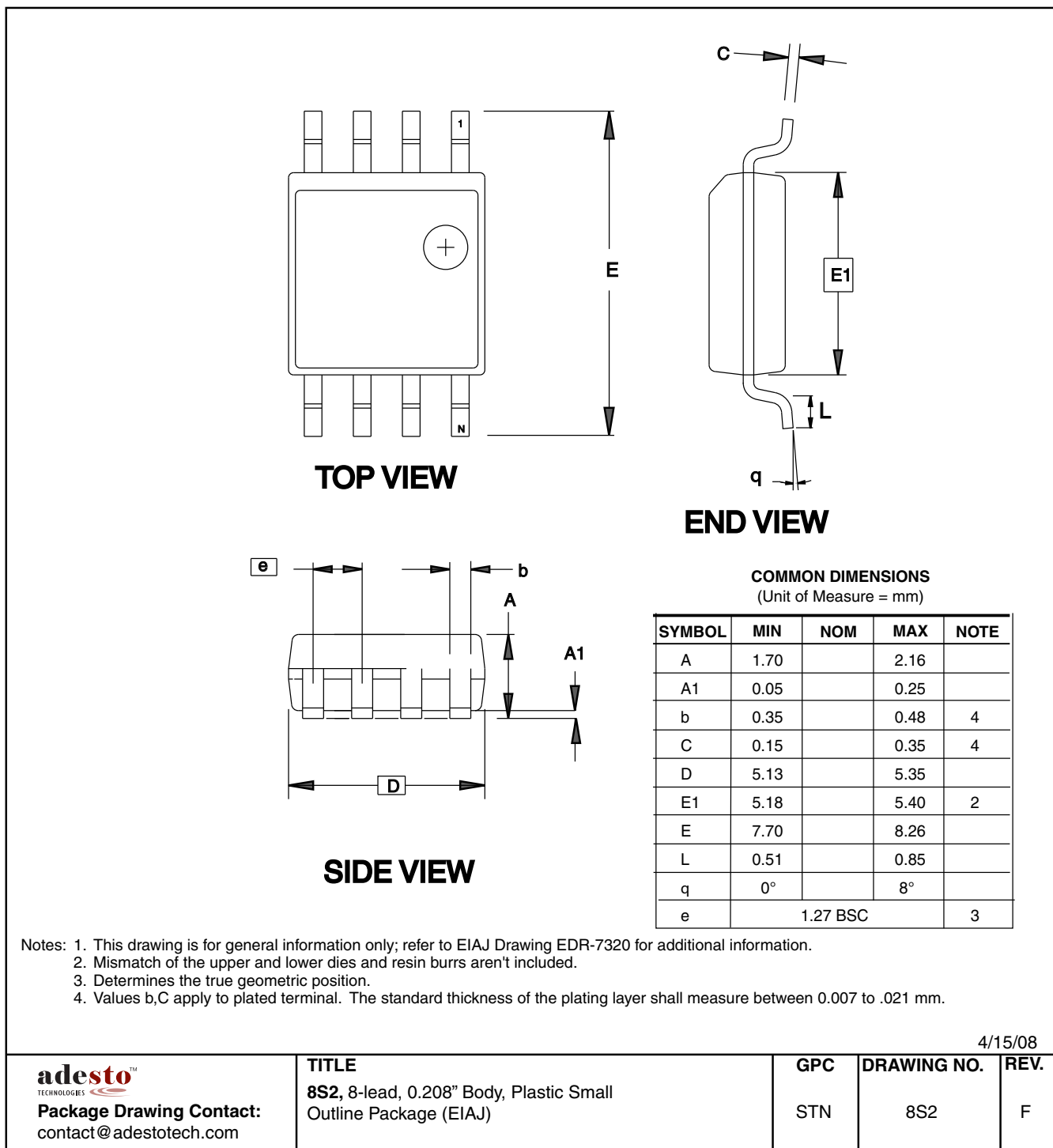
17.2 8S1 – JEDEC SOIC



6/22/11

| | | | | |
|---|--|---------------------------|-----------------------------------|--------------------------|
| <p>Package Drawing Contact: contact@adestotech.com</p> | <p>TITLE 8S1, 8-lead (0.150" Wide Body), Plastic Gull Wing Small Outline (JEDEC SOIC)</p> | <p>GPC SWB</p> | <p>DRAWING NO. 8S1</p> | <p>REV. G</p> |
| | | | | |

17.3 8S2 – EIAJ SOIC



18. Revision History

| Doc. Rev. | Date | Comments |
|-----------|---------|---|
| 8715C | 1/2013 | Update to Adesto logos. (11/2012) Abbreviate title to SPI (1/2013) |
| 8715B | 08/2010 | Change t_{RDPD} Max from 10 to 30 in AC Parameters |
| 8715A | 06/2010 | Initial document release |



Corporate Office

California | USA

Adesto Headquarters

1250 Borregas Avenue

Sunnyvale, CA 94089

Phone: (+1) 408.400.0578

Email: contact@adestotech.com

© 2012 Adesto Technologies. All rights reserved. / Rev.: 8715C-SFLSH-1/2013

Adesto®, the Adesto logo, CBRAM®, and DataFlash® are registered trademarks or trademarks of Adesto Technologies. All other marks are the property of their respective owners.

Disclaimer: Adesto Technologies Corporation makes no warranty for the use of its products, other than those expressly contained in the Company's standard warranty which is detailed in Adesto's Terms and Conditions located on the Company's web site. The Company assumes no responsibility for any errors which may appear in this document, reserves the right to change devices or specifications detailed herein at any time without notice, and does not make any commitment to update the information contained herein. No licenses to patents or other intellectual property of Adesto are granted by the Company in connection with the sale of Adesto products, expressly or by implication. Adesto's products are not authorized for use as critical components in life support devices or systems.

AMEYA360

Components Supply Platform

Authorized Distribution Brand :



Website :

Welcome to visit www.ameya360.com

Contact Us :

➤ Address :

401 Building No.5, JiuGe Business Center, Lane 2301, Yishan Rd
Minhang District, Shanghai , China

➤ Sales :

Direct +86 (21) 6401-6692

Email amall@ameya360.com

QQ 800077892

Skype [ameyasales1](#) [ameyasales2](#)

➤ Customer Service :

Email service@ameya360.com

➤ Partnership :

Tel +86 (21) 64016692-8333

Email mkt@ameya360.com