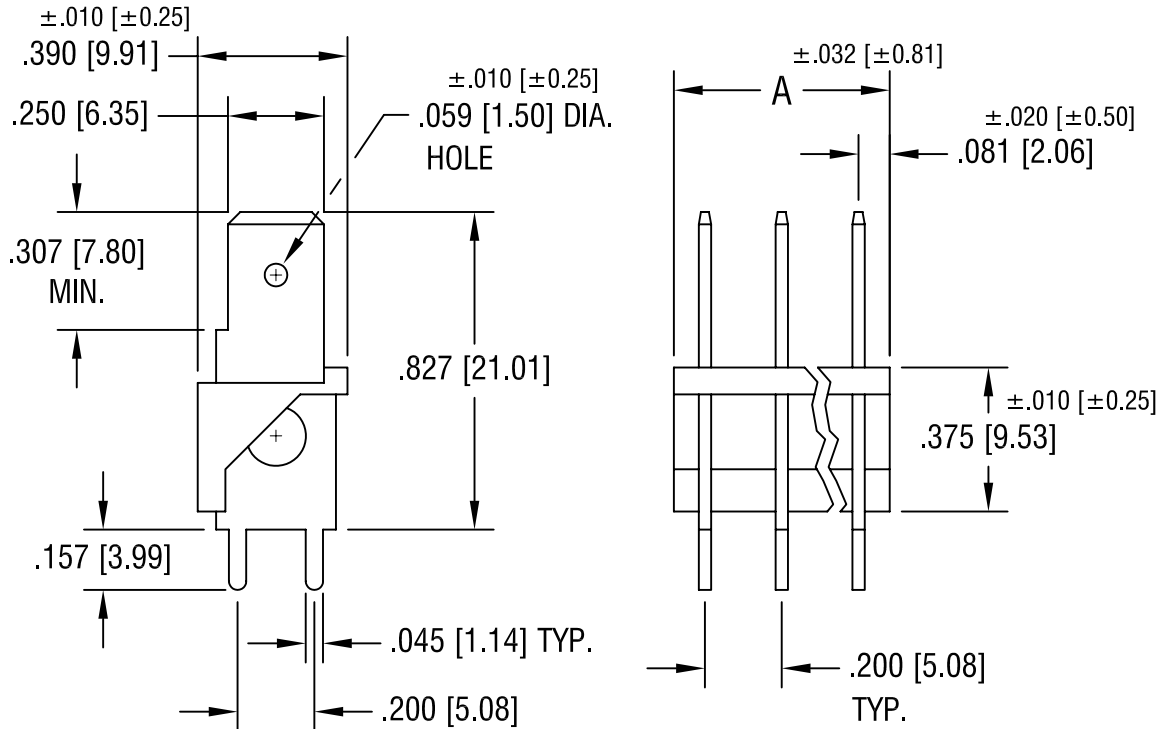


THIS DOCUMENT IS THE PROPERTY OF
KEYSTONE ELECTRONICS CORP. AND
SHALL NOT BE REPRODUCED, DISTRIBUTED
OR USED AS A BASIS FOR MANUFACTURE
WITHOUT PRIOR WRITTEN PERMISSION
FROM KEYSTONE ELECTRONICS CORP.



NOTES:

- TABS:
MAT'L - $.032$ [0.81] TH'K STEEL
FINISH - TIN PLATE
- INSULATOR:
MAT'L - GLASS FILLED NYLON
- MOUNTING HOLES:
 $.052$ [1.32] DIA. x
 $.200$ [5.08] CENTERS

PART NO.	NO. OF TABS	'A' DIM.
7833	3	$.562$ [14.27]
7834	4	$.762$ [19.35]
7835	5	$.962$ [24.43]
7836	6	1.162 [29.51]

KEYSTONE ELECTRONICS CORP.

ASTORIA, N.Y. 11105-2017

PART NAME

$.250$ [6.35] PC QUICK-FIT HEADER

MATERIAL

AS NOTED

FINISH

TIN PLATE

DRN BY

BOONE

DATE

7.25.95

APP'D

LN

SCALE

2X

1.31.05 CHANGE AS PER ECN 05-004

D

TOLERANCES

INCH [MM]

DECIMAL $\pm .005$ [± 0.15]

ANGULAR $\pm 1^\circ$
UNLESS OTHERWISE SPECIFIED

CODE

C/M

DWG NO.

7833-7836

DATE

DESCRIPTION

REV.

AMEYA360

Components Supply Platform

Authorized Distribution Brand :



Website :

Welcome to visit www.ameya360.com

Contact Us :

➤ Address :

401 Building No.5, JiuGe Business Center, Lane 2301, Yishan Rd
Minhang District, Shanghai , China

➤ Sales :

Direct +86 (21) 6401-6692

Email amall@ameya360.com

QQ 800077892

Skype [ameyasales1](#) [ameyasales2](#)

➤ Customer Service :

Email service@ameya360.com

➤ Partnership :

Tel +86 (21) 64016692-8333

Email mkt@ameya360.com