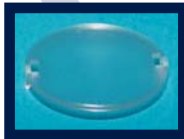


CREE® ADHESIVE-BACKED LENS



FEATURES / BENEFITS

- ▲ For CREE XR & XR-E series LEDs
- ▲ Available in spot, diffuser, wide, and oval lenses
- ▲ Integral self-adhesive pad
- ▲ Snap-on sub-lens
- ▲ Greater than 85% efficiency

OPERATING CONDITIONS

- ▲ 85° C max acrylic temperature
- ▲ 105° C max adhesive temperature

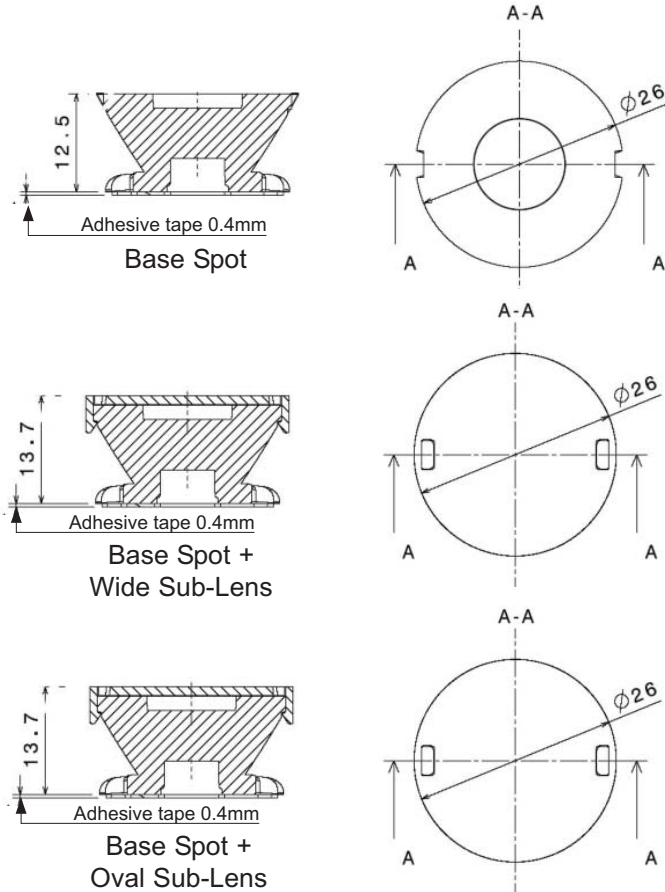
MATERIALS/FINISH

- ▲ Optical grade PMMA acrylic

ORDERING INFORMATION

BASE LENSES			
Dialight P/N	Reference P/N	Description	Degree*
OPTX1006	OPTX-1-006	OPTX Series Spot Base Module For CREE	6°
SUB-LENSES			
OPAA1DF	OPAA-1-DF	Diffuser Sub-Lens	8°
OPAA1WSL	OPAA-1-WSL	Wide Sub-Lens	18°
OPAA1OSL	OPAA-1-OSL	Oval Sub-Lens	8° X 25°
*All angles refer to half divergence			

MECHANICAL DIMENSIONS



Dialight reserves the right to make changes at any time in order to supply the best product possible.
The most current version of this document will always be available at:
www.dialight.com/Assets/Brochures_And_Catalogs/Illumination/MDEXLUMADBCREE.pdf

AMEYA360

Components Supply Platform

Authorized Distribution Brand :



Website :

Welcome to visit www.ameya360.com

Contact Us :

➤ Address :

401 Building No.5, JiuGe Business Center, Lane 2301, Yishan Rd
Minhang District, Shanghai , China

➤ Sales :

Direct +86 (21) 6401-6692

Email amall@ameya360.com

QQ 800077892

Skype [ameyasales1](#) [ameyasales2](#)

➤ Customer Service :

Email service@ameya360.com

➤ Partnership :

Tel +86 (21) 64016692-8333

Email mkt@ameya360.com