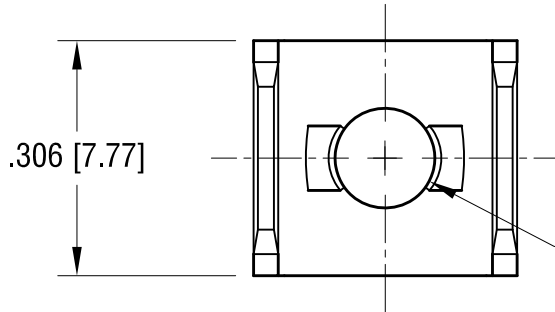
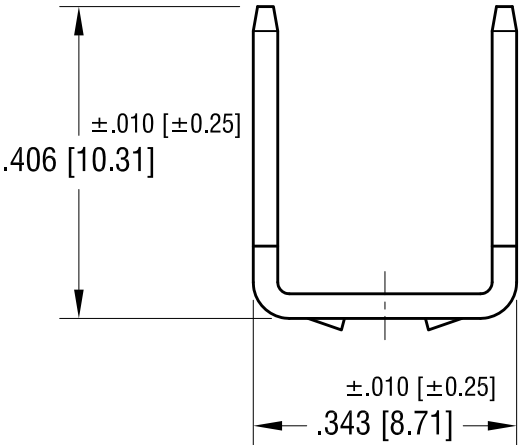
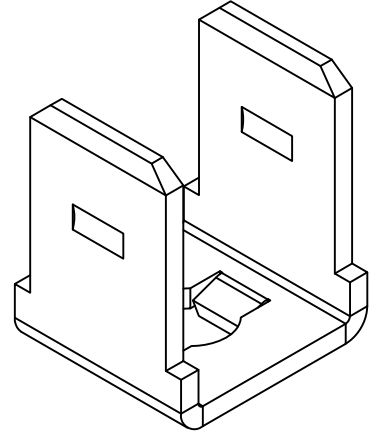


THIS DOCUMENT IS THE PROPERTY OF
KEYSTONE ELECTRONICS CORP. AND
SHALL NOT BE REPRODUCED, DISTRIBUTED
OR USED AS A BASIS FOR MANUFACTURE
WITHOUT PRIOR WRITTEN PERMISSION
FROM KEYSTONE ELECTRONICS CORP.

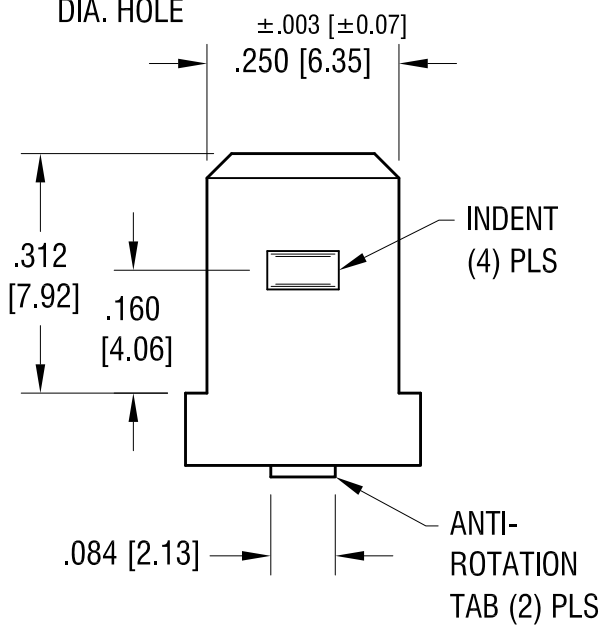


$\pm .003$ [± 0.07]
 $\varnothing .130$ [$\varnothing 3.30$]
DIA. HOLE



$\pm .010$ [± 0.25]
.406 [10.31]

$\pm .010$ [± 0.25]
.343 [8.71]



$\pm .003$ [± 0.07]
.250 [6.35]

INDENT
(4) PLS

ANTI-
ROTATION
TAB (2) PLS

KEYSTONE ELECTRONICS CORP.

www.keyelco.com • ASTORIA, N.Y. 11105-2017 • Tel (718) 956-8900

PART NAME
.250 QUICK-FIT TERMINAL

MATERIAL
.032 [0.81] TH'K BRASS

FINISH MATTE TIN PLATE	DRN BY NT	DATE 7.30.10
	APP'D LN	SCALE 4X

TOLERANCES DECIMAL ANGULAR $\pm 1^\circ$ UNLESS OTHERWISE SPECIFIED	INCH [MM] $\pm .005$ [± 0.13]	CODE C	DWG NO. 1229
--	--	-----------	------------------------

DATE	DESCRIPTION	REV.
------	-------------	------

AMEYA360

Components Supply Platform

Authorized Distribution Brand :



Website :

Welcome to visit www.ameya360.com

Contact Us :

➤ Address :

401 Building No.5, JiuGe Business Center, Lane 2301, Yishan Rd
Minhang District, Shanghai , China

➤ Sales :

Direct +86 (21) 6401-6692

Email amall@ameya360.com

QQ 800077892

Skype [ameyasales1](#) [ameyasales2](#)

➤ Customer Service :

Email service@ameya360.com

➤ Partnership :

Tel +86 (21) 64016692-8333

Email mkt@ameya360.com