

THE INFORMATION CONTAINED HEREIN IS CONSIDERED "PROPRIETARY" TO BEL FUSE INC. AND SHALL NOT BE COPIED, REPRODUCED OR DISCLOSED WITHOUT THE WRITTEN APPROVAL OF BEL FUSE INC.

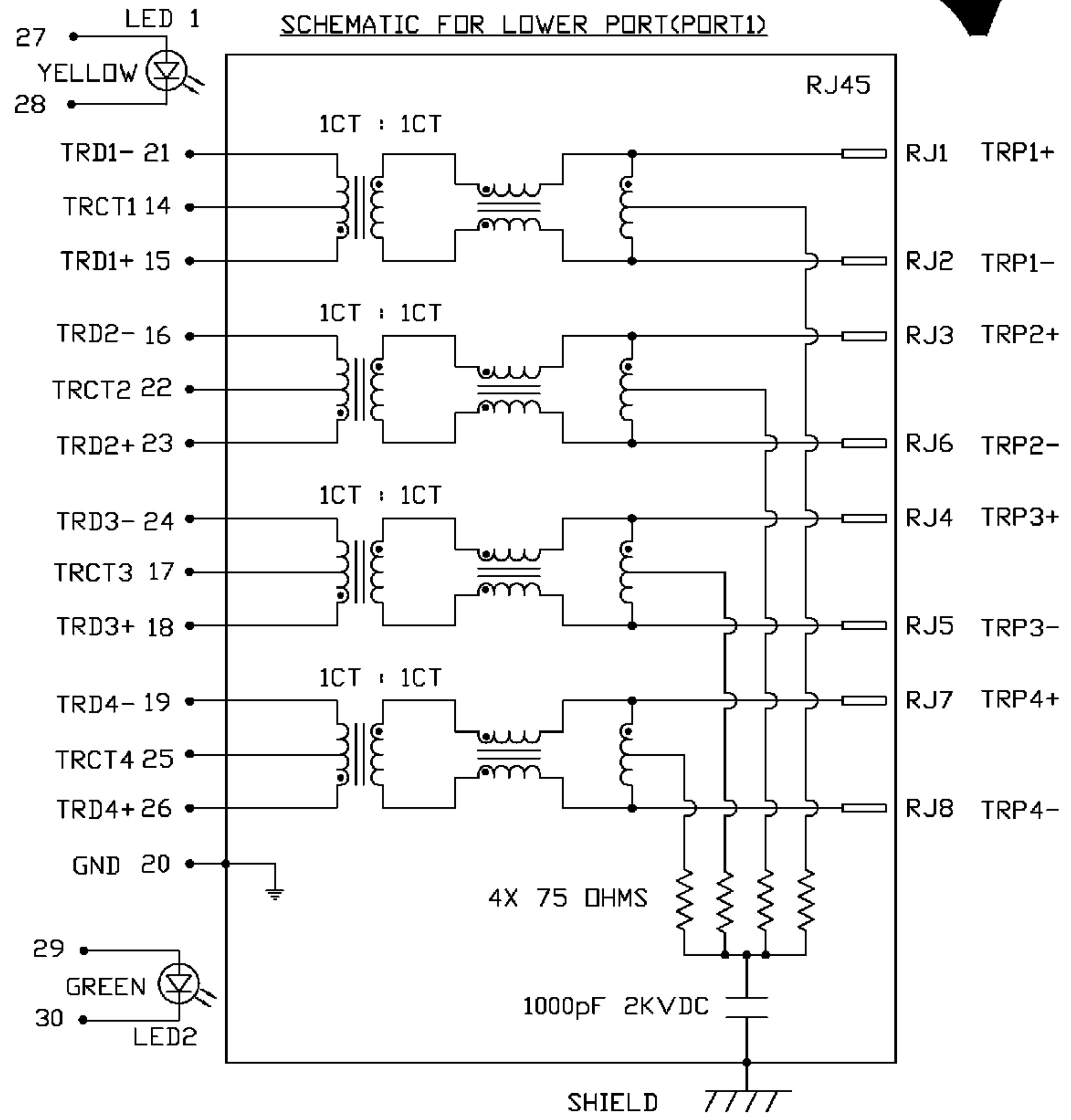
LED 1 POLARITY			LED 2 POLARITY		
PIN 27	PIN 28	COLOR	PIN 29	PIN 30	COLOR
+	-	YELLOW	+	-	GREEN

PRELIMINARY



ELECTRICAL CHARACTERISTICS @ 25°C

URNS RATIO	
TP1	1CT : 1CT ±2%
TP2	1CT : 1CT ±2%
TP3	1CT : 1CT ±2%
TP4	1CT : 1CT ±2%
□CL @ 100kHz,100mVRMS	
8mA DC BIAS	350 uH MIN.
INS. LOSS	
100kHz TO 100MHz	-11 dB MAX
RET. LOSS (MIN)	
1MHz-30MHz	-18 dB
30MHz-60MHz	-16 dB
60MHz-80MHz	-14 dB
80MHz-100MHz	-12 dB
CM TO CM REJ	
100kHz - 100MHz	-25 dB TYP
CROSS TALK	
1MHz - 60MHz	-35 dB TYP
60MHz - 100MHz	-25 dB TYP
HIPDT (Isolation Voltage):	1500 Vrms
LEAKAGE INDUCTANCE	
PRIMARY W/ SECONDARY SHORTED	0.3uH Max. @ 1MHz
INTERWINDING CAPACITANCE	
PER CHANNEL (PRI. TO SEC.)	50pF Max @ 1MHz
DC RESISTANCE	
(21-15)=(16-23)=(24-18)=(19-26)	1.2 ohms Max
(RJ1-RJ2)=(RJ3-RJ6)=(RJ4-RJ5)=(RJ7-RJ8)	1.2 ohms Max
LED 1	
VF (FORWARD VOLTAGE)	IF=20mA YELLOW 2.1V TYP.
λD (DOMINANT WAVELENGTH)	IF=20mA YELLOW 590nm TYP.
LED 2	
VF (FORWARD VOLTAGE)	IF=20mA GREEN 2.2V TYP.
λD (DOMINANT WAVELENGTH)	IF=20mA GREEN 565nm TYP.



ORIGINATED BY	DATE	TITLE	PART NO. / DRAWING NO.	STANDARD DIM. TOL. IN INCH	[] METRIC DIM. AS REFERENCE
CHUNG	12-27-05	2X1 gigabit MagJack® (with LED)	0845-2D1T-E4	.X	UNIT : INCH [mm] REV. : PC
DRAWN BY	DATE		FILE NAME	.XX	SCALE : N/A SIZE : A4
DE	12-27-05		08452D1TE4PC.DWG	.XXX	PAGE : 2



THE INFORMATION CONTAINED HEREIN IS CONSIDERED "PROPRIETARY" TO BEL FUSE INC. AND SHALL NOT BE COPIED, REPRODUCED OR DISCLOSED WITHOUT THE WRITTEN APPROVAL OF BEL FUSE INC.

LED 3 POLARITY			LED 4 POLARITY		
PIN 31	PIN 32	COLOR	PIN 33	PIN 34	COLOR
+	-	YELLOW	+	-	GREEN

PRELIMINARY



ELECTRICAL CHARACTERISTICS @ 25°C

TURNS RATIO

TP1	1CT : 1CT ±2%
TP2	1CT : 1CT ±2%
TP3	1CT : 1CT ±2%
TP4	1CT : 1CT ±2%

DCL @ 100kHz,100mVRMS

8mA DC BIAS	350 uH MIN.
-------------	-------------

INS. LOSS

100KHz TO 100MHz	-1.1 dB MAX
------------------	-------------

RET. LOSS (MIN)

1MHz-30MHz	-18 dB
30MHz-60MHz	-16 dB
60MHz-80MHz	-14 dB
80MHz-100MHz	-12 dB

CM TO CM REJ

100kHz - 100MHz	-25 dB TYP
-----------------	------------

CROSS TALK

1MHz - 60MHz	-35 dB TYP
60MHz - 100MHz	-25 dB TYP

HIPOT (Isolation Voltage): 1500 Vrms

LEAKAGE INDUCTANCE

PRIMARY W/ SECONDARY SHORTED	0.3uH Max. @ 1MHz
------------------------------	-------------------

INTERWINDING CAPACITANCE

PER CHANNEL (PRI. TO SEC.)	50pF Max @ 1MHz
----------------------------	-----------------

DC RESISTANCE

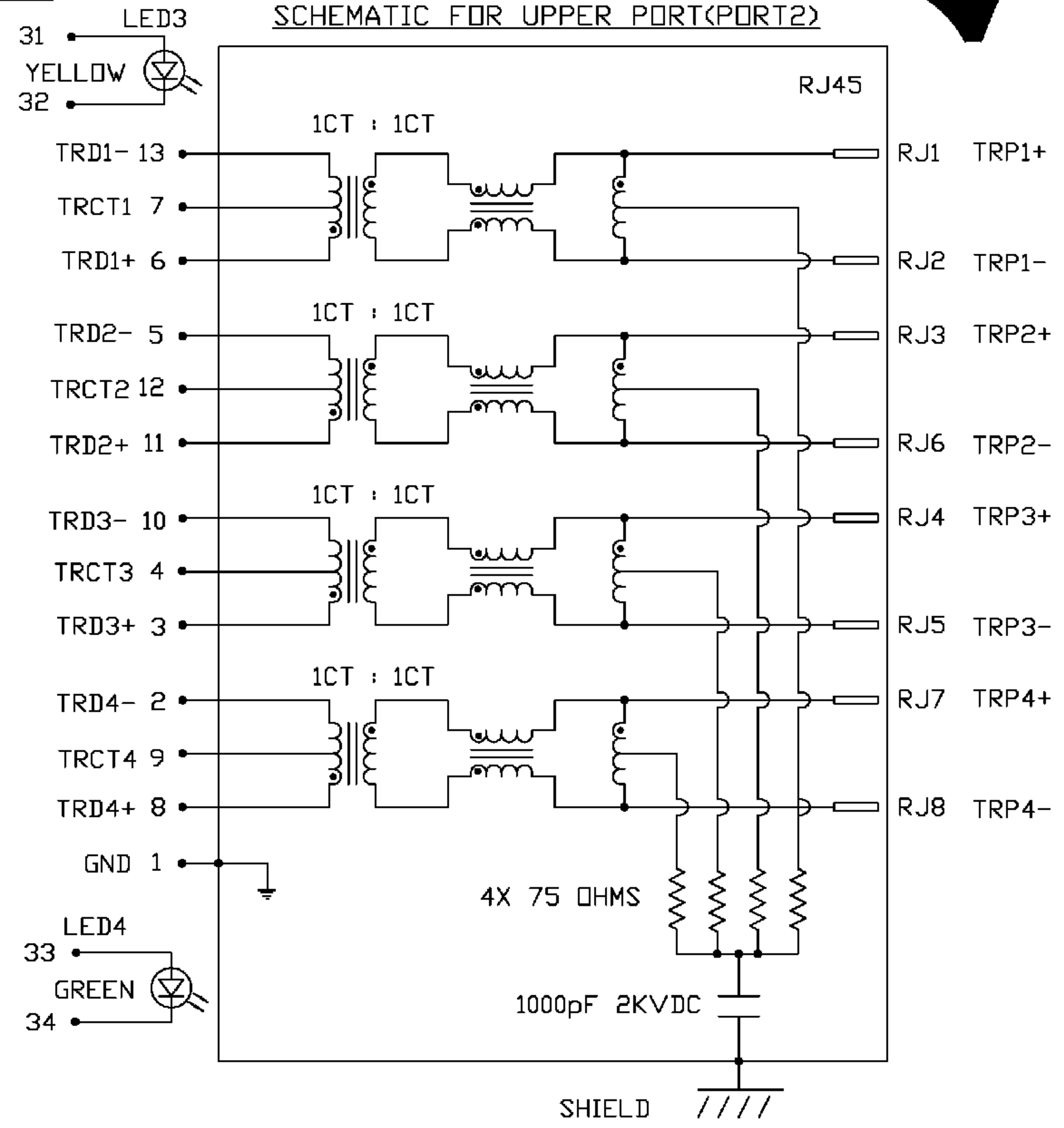
(13-6)=(5-11)=(10-3)=(2-8)	1.2 ohms Max
(RJ1-RJ2)=(RJ3-RJ6)=(RJ4-RJ5)=(RJ7-RJ8)	1.2 ohms Max

LED 3 (Super bright)

VF (FORWARD VOLTAGE)	IF=20mA YELLOW 2.1V TYP.
λD (DOMINANT WAVELENGTH)	IF=20mA YELLOW 590nm TYP.

LED 4 (Super bright)

VF (FORWARD VOLTAGE)	IF=20mA GREEN 2.2V TYP.
λD (DOMINANT WAVELENGTH)	IF=20mA GREEN 565nm TYP.

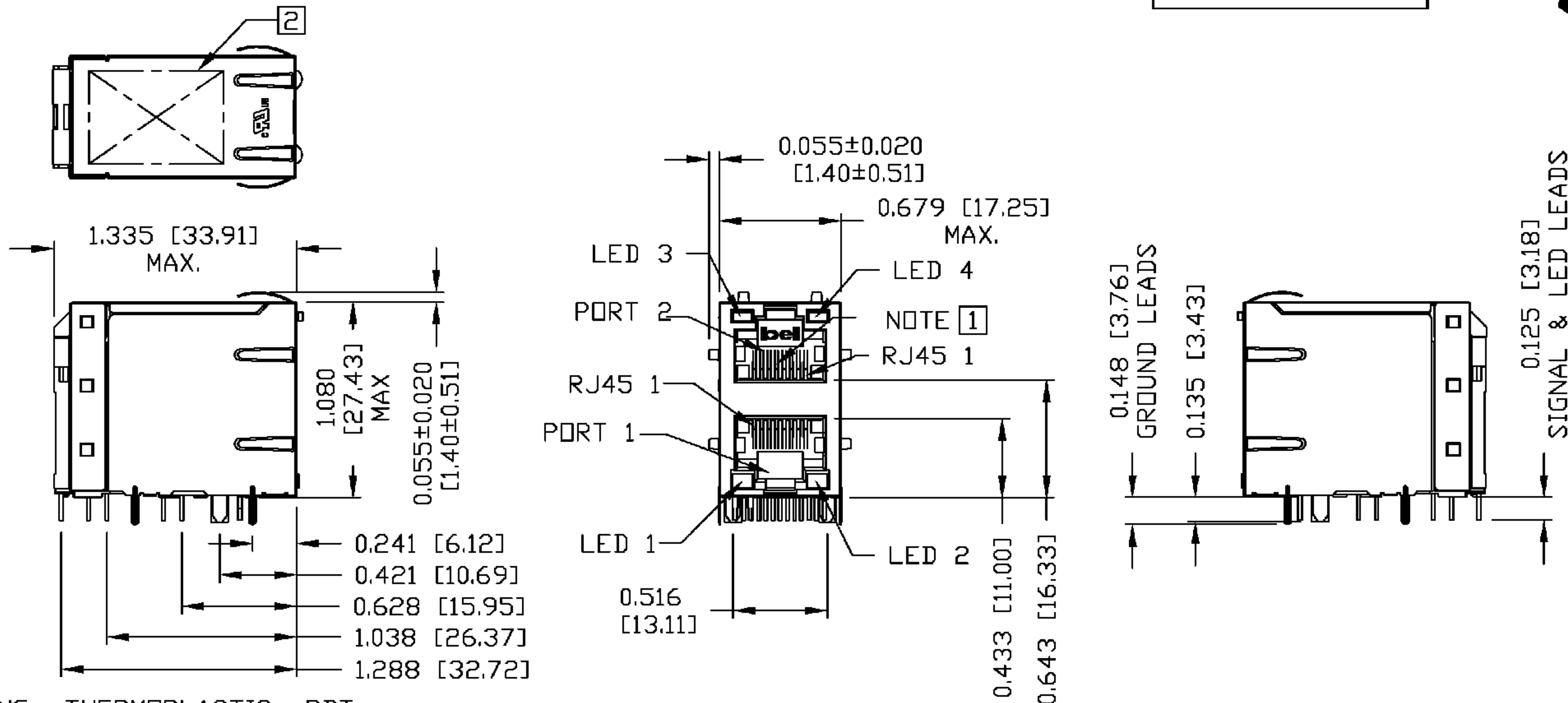


ORIGINATED BY CHUNG	DATE 12-27-05	TITLE 2X1 gigabit MagJack® (with LED)	PART NO. / DRAWING NO. 0845-2D1T-E4	STANDARD DIM. TOL. IN INCH .X .XX .XXX	[] METRIC DIM. AS REFERENCE	
DRAWN BY DE	DATE 12-27-05		FILE NAME 08452D1TE4PC.DWG	UNIT : INCH [mm]	SCALE : N/A	REV. : PC
						PAGE : 3



THE INFORMATION CONTAINED HEREIN IS CONSIDERED "PROPRIETARY" TO BEL FUSE INC. AND SHALL NOT BE COPIED, REPRODUCED OR DISCLOSED WITHOUT THE WRITTEN APPROVAL OF BEL FUSE INC.

PRELIMINARY



NOTES:
 PLASTIC HOUSING: THERMOPLASTIC PBT
 FLAMMABILITY RATING UL 94V-0
 CONTACT PLATING: 50 MICRO-INCH HARD GOLD PLATING
 OUTPUT PINS: TIN-COATED COPPER WIRE, DIA 0.018 INCH.
 METAL SHIELD: NICKEL PLATED ON COPPER ALLOY.
 (ALL GROUND LEADS ARE SOLDER DIPPED)

RoHS COMPLIANCE, PER EU DIRECTIVE 2002/95/EC.
 [1] JACK CAVITY CONFORMS TO FCC RULES AND REGULATIONS, PART 68 SUBPART F.
 [2] MARK PART WITH MFG LOGO, MFG NAME, PART NUMBER, AND DATE CODE.

UL RECOGNIZED - FILE #E196366 AND E169987.

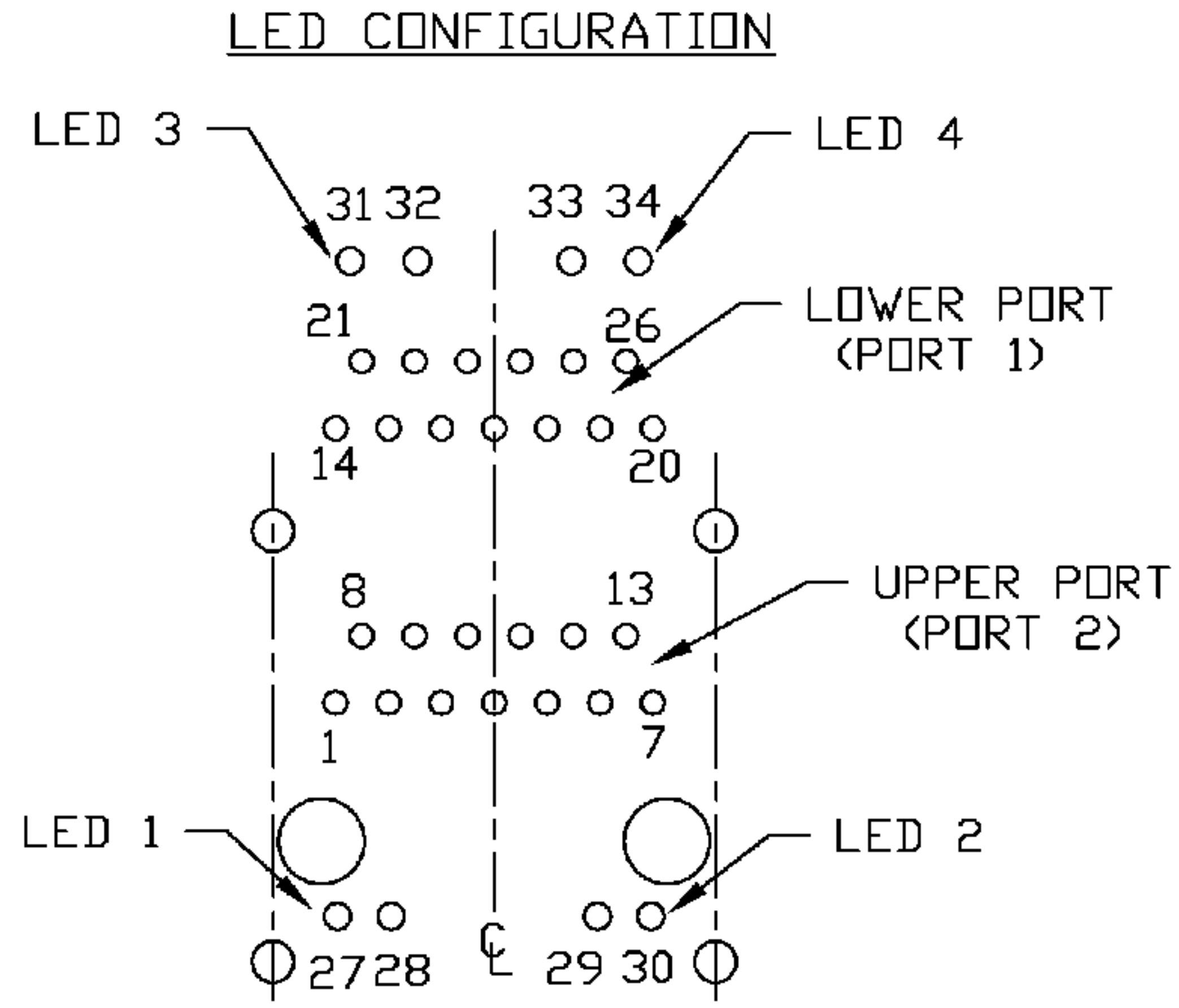
ORIGINATED BY BILL \KEUNG	DATE 12-27-05	TITLE 2X1 gigabit MagJack® (with LED)	PART NO. / DRAWING NO. 0845-2D1T-E4	STANDARD DIM. TOL. IN INCH	[] METRIC DIM. AS REFERENCE
DRAWN BY QIN	DATE 12-27-05		FILE NAME 08452D1TE4PC.DWG	.X .XX .XXX	UNIT : INCH [mm] SCALE : N/A REV. : PC SIZE : A4 PAGE : 4
				±0.010	



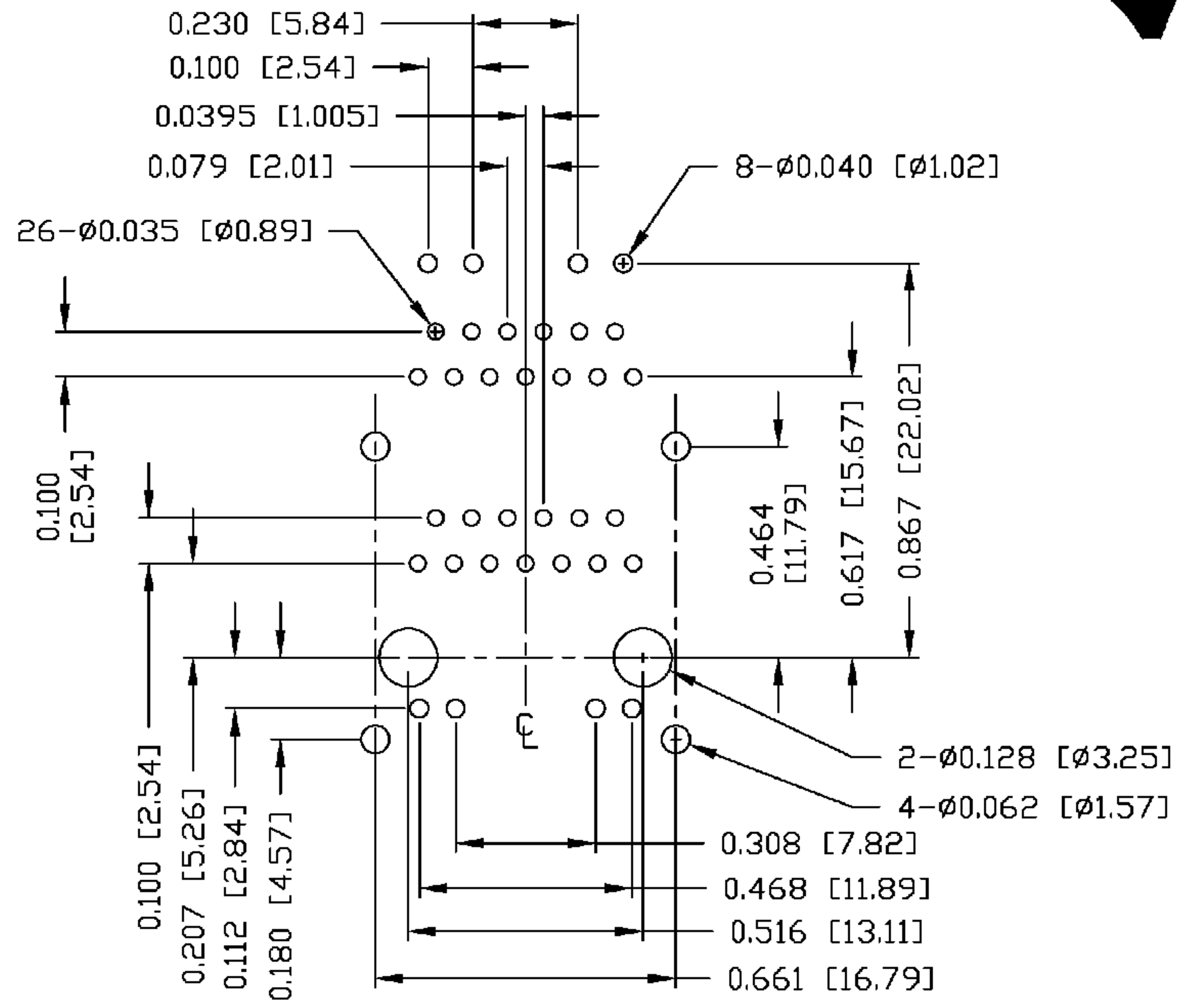
THE INFORMATION CONTAINED HEREIN IS CONSIDERED "PROPRIETARY" TO BEL FUSE INC. AND SHALL NOT BE COPIED, REPRODUCED OR DISCLOSED WITHOUT THE WRITTEN APPROVAL OF BEL FUSE INC.



PRELIMINARY



PIN-OUT INFORMATION
(COMPONENT SIDE VIEW)
(SCALE 2:1)



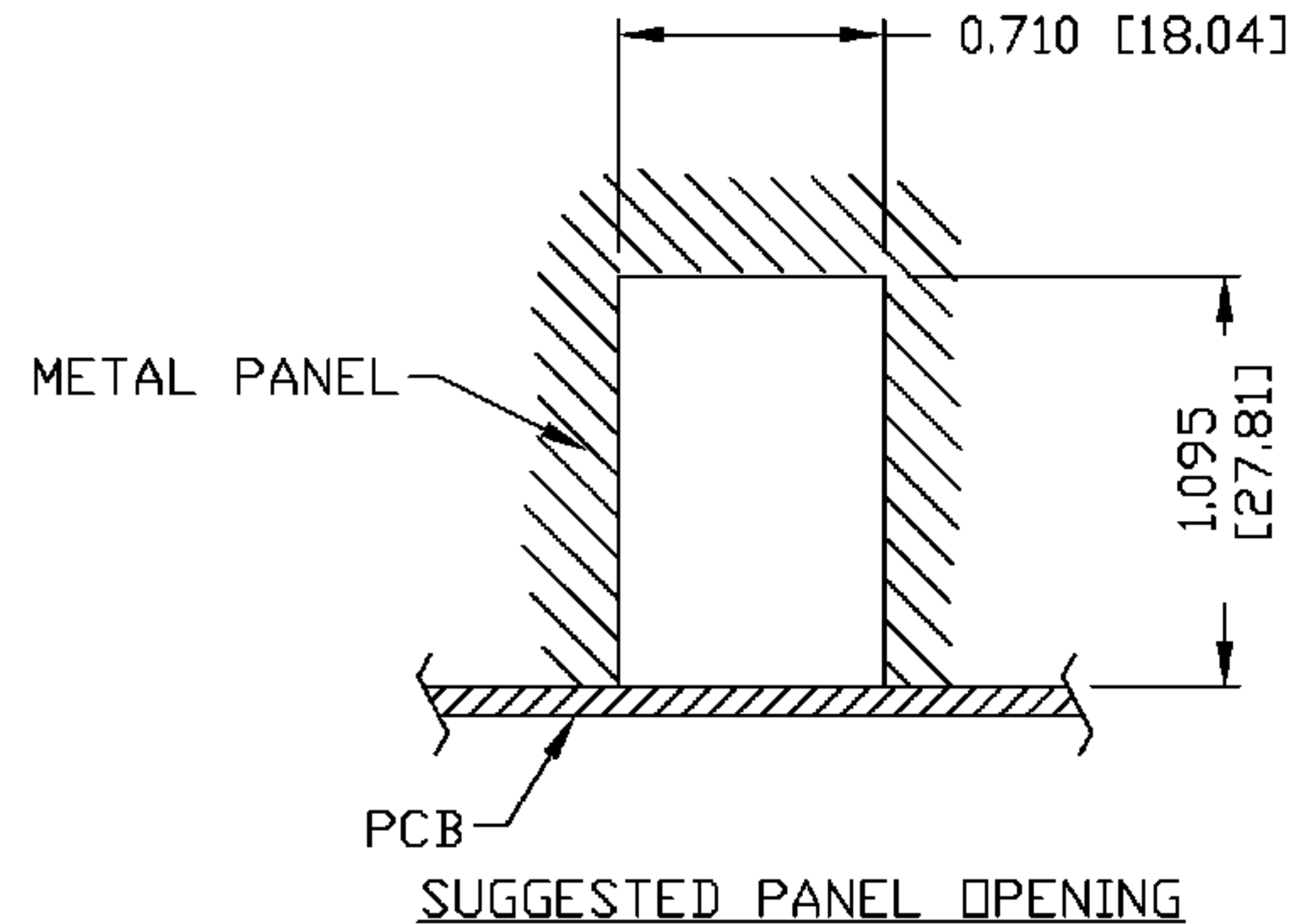
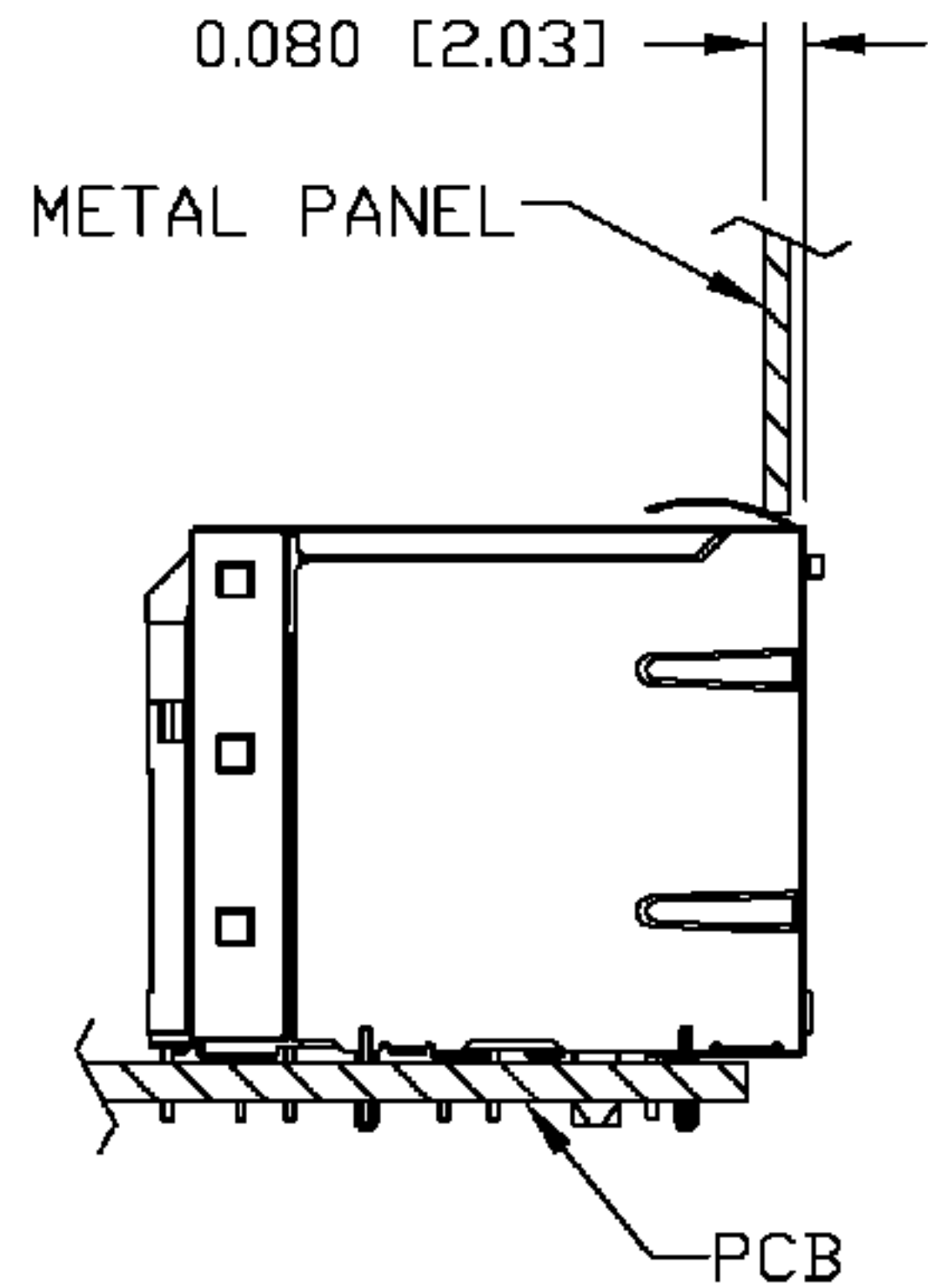
SUGGESTED FOOTPRINT
(COMPONENT SIDE VIEW)
(SCALE 2:1)

ORIGINATED BY	DATE	TITLE	PART NO. / DRAWING NO.	STANDARD DIM. TOL. IN INCH	[] METRIC DIM. AS REFERENCE
BILL \KEUNG	12-27-05	2X1 gigabit MagJack® (with LED)	0845-2D1T-E4	.X	UNIT : INCH [mm] REV. : PC
DRAWN BY	DATE		FILE NAME	.XX	SCALE : N/A SIZE : A4
QIN	12-27-05		08452D1TE4PC.DWG	.XXX ±0.004	PAGE : 5



THE INFORMATION CONTAINED HEREIN IS CONSIDERED "PROPRIETARY" TO BEL FUSE INC. AND SHALL NOT BE COPIED, REPRODUCED OR DISCLOSED WITHOUT THE WRITTEN APPROVAL OF BEL FUSE INC.

PRELIMINARY



NOTE:

THE DISTANCE OF PANEL INSIDE SURFACE RELATIVE TO FRONT SURFACE OF PART IS ONLY A SUGGESTION. IN CASE THIS DISTANCE IS DIFFERENT, THE REQUIRED PANEL OPENING DIMENSIONS CHANGE ACCORDINGLY.

PACKING INFORMATION

PACKING TRAY: 0200-9999-H5 (TOP)
0200-9999-H6 (BOTTOM)

PACKING QUANTITY: 40 PCS FINISHED GOODS PER TRAY
6 TRAYS (240 PCS FINISHED GOODS) PER CARTON BOX.

NOTE: CARDBOARD ARE PLACED BETWEEN LAYERS OF PACKING TRAY INSIDE CARTON BOX.
(INCLUDE THE UPPERMOST AND LOWEREST TRAY)

ORIGINATED BY	DATE	TITLE	PART NO. / DRAWING NO.	STANDARD DIM. TOL. IN INCH	[] METRIC DIM. AS REFERENCE	
BILL\KEUNG	12-27-05	2X1 gigabit MagJack® (with LED)	0845-2D1T-E4	.X	UNIT : INCH [mm]	REV. : PC
DRAWN BY	DATE		FILE NAME	.XX		SCALE : N/A
QIN	12-27-05		08452D1TE4PC.DWG	.XXX ±0.004		PAGE : 6



Authorized Distribution Brand :



Website :

Welcome to visit www.ameya360.com

Contact Us :

➤ Address :

401 Building No.5, JiuGe Business Center, Lane 2301, Yishan Rd
Minhang District, Shanghai , China

➤ Sales :

Direct +86 (21) 6401-6692

Email amall@ameya360.com

QQ 800077892

Skype ameyasales1 ameyasales2

➤ Customer Service :

Email service@ameya360.com

➤ Partnership :

Tel +86 (21) 64016692-8333

Email mkt@ameya360.com