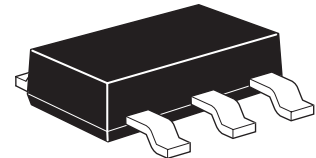


ZXMS6001N3

60V N-channel self protected enhancement mode INTELLIFET™ MOSFET

Summary

Continuous drain source voltage	$V_{DS} = 60V$
On-state resistance	675mΩ
Max nominal load current (a)	1.1A ($V_{IN} = 5V$)
Min nominal load current (c)	0.7A ($V_{IN} = 5V$)
Clamping Energy	550mJ

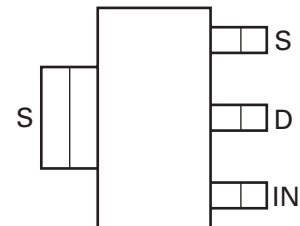


Description

Low input current self protected low side MOSFET intended for $V_{in}=5V$ applications. Monolithic over temperature, over current, over voltage (active clamp) and ESD protected logic level functionality. Intended as a general purpose switch.

Note:

The tab is connected to the source pin and must be electrically isolated from the drain pin. Connection of significant copper to the drain pin is recommended for best thermal performance.



SOT223

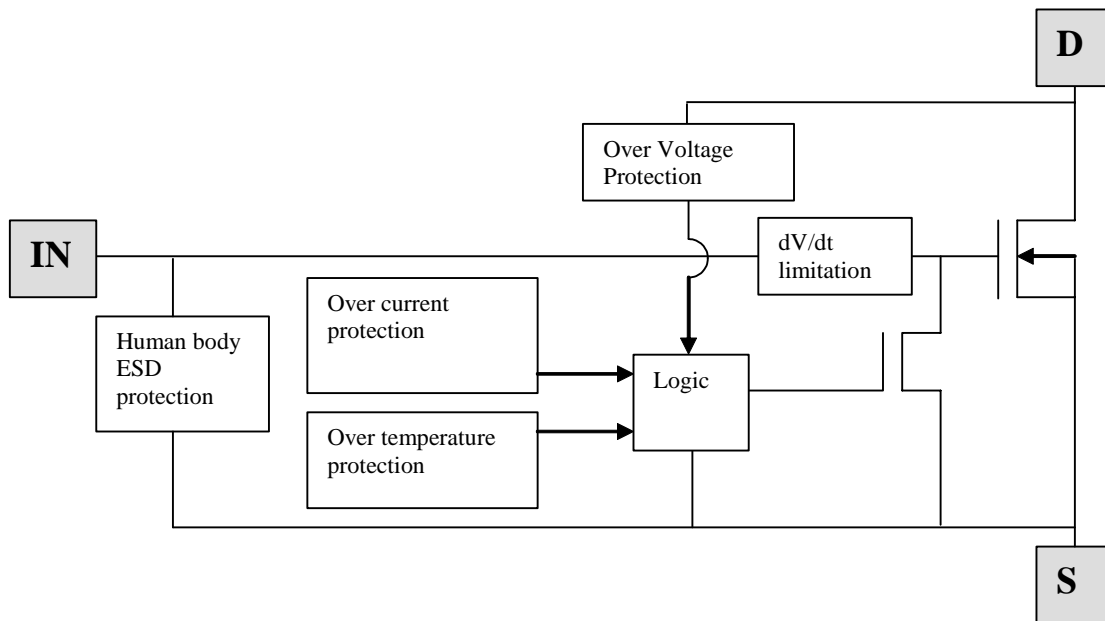
Features

- Short circuit protection with auto restart
- Over voltage protection (active clamp)
- Thermal shutdown with auto restart
- Over-current protection
- Input protection (ESD)
- Load dump protection (actively protects load)
- Low input current

Ordering information

Device	Package	Part mark	Reel size (inches)	Tape width (mm)	Quantity per reel
ZXMS6001N3TA	SOT223	ZXMS6001	7	12 embossed	1,000

Functional block diagram



Applications and information

- Especially suited for loads with a high in-rush current such as lamps and motors.
- All types of resistive, inductive and capacitive loads in switching applications.
- μC compatible power switch for 12V and 24V DC applications.
- Automotive rated.
- Replaces electromechanical relays and discrete circuits.

Linear Mode capability - the current-limiting protection circuitry is designed to de-activate at low V_{ds} , in order not to compromise the load current during normal operation. The design max DC operating current is therefore determined by the thermal capability of the package/board combination, rather than by the protection circuitry. This does not compromise the products ability to self protect itself at low V_{DS} .

ZXMS6001N3

Absolute maximum ratings

Parameter	Symbol	Limit	Unit
Continuous Drain-Source Voltage	V_{DS}	60	V
Drain-Source Voltage for short circuit protection $V_{IN} = 5V$	$V_{DS(SC)}$	36	V
Continuous Input Voltage	V_{IN}	-0.2 ... +10	V
Peak Input Voltage	V_{IN}	-0.2 ... +20	V
Continuous Input Current -0.2V= V_{IN} =10V $V_{IN}<-0.2V$ or $V_{IN}>10V$	I_{IN}	No limit I_{IN} ≤ 2	mA
Operating Temperature Range	$T_{j,r}$	-40 to +150	°C
Storage Temperature Range	T_{stg}	-55 to +150	°C
Power Dissipation at $T_A = 25^\circ C^{(a)}$	P_D	1.5	W
Power Dissipation at $T_A = 25^\circ C^{(c)}$	P_D	0.6	W
Continuous Drain Current @ $V_{IN}=5V$; $T_A=25^\circ C^{(a)}$	I_D	1.1	A
Continuous Drain Current @ $V_{IN}=5V$; $T_A=25^\circ C^{(c)}$	I_D	0.7	A
Continuous Source Current (Body Diode) ^(a)	I_S	2.0	A
Pulsed Source Current (Body Diode) ^(b)	I_S	3.3	A
Unclamped single pulse inductive energy	E_{AS}	550	mJ
Load dump protection	$V_{LoadDump}$	80	V
Electrostatic Discharge (Human Body Model)	V_{ESD}	4000	V
DIN humidity category, DIN 40 040		E	
IEC climatic category, DIN IEC 68-1		40/150/56	

Thermal resistance

Parameter	Symbol	Value	Unit
Junction to ambient ^(a)	$R_{\theta JA}$	83	°C/W
Junction to ambient ^(b)	$R_{\theta JA}$	45	°C/W
Junction to ambient ^(c)	$R_{\theta JA}$	208	°C/W

NOTES:

(a) For a device surface mounted on 25mm x 25mm x 1.6mm FR4 board with a high coverage of single sided 2oz weight copper. Allocation of 6cm² copper 33% to source tab and 66% to drain pin with source tab and drain pin electrically isolated.

(b) For a device surface mounted on FR4 board as (a) and measured at $t \leq 10s$.

(c) For a device surface mounted on FR4 board with the minimum copper required for electrical connections.

ZXMS6001N3

Recommended operating conditions

The ZXMS6001 is optimized for use with μC operating from 5V supplies.

Symbol	Description	Min	Max	Units
V_{IN}	Input voltage range	0	6	V
T_{A}	Ambient temperature range	-40	125	$^{\circ}\text{C}$
V_{IH}	High level input voltage for MOSFET ^(d)	4	6	V
V_{P}	Peripheral supply voltage (voltage to which load is referred)		60	V

Electrical characteristics (at $T_{\text{amb}} = 25^{\circ}\text{C}$ unless otherwise stated).

Parameter	Symbol	Min	Typ	Max	Unit	Conditions
Static Characteristics						
Drain-Source Clamp Voltage	$V_{\text{DS(AZ)}}$	60	70	75	V	$I_{\text{D}}=10\text{mA}$
Off state Drain Current	I_{DSS}		0.1	3	μA	$V_{\text{DS}}=12\text{V}$, $V_{\text{IN}}=0\text{V}$
Off state Drain Current	I_{DSS}		3	15	μA	$V_{\text{DS}}=32\text{V}$, $V_{\text{IN}}=0\text{V}$
Input Threshold Voltage ^(d)	$V_{\text{IN(th)}}$	1	1.8	2.5	V	$V_{\text{DS}}=V_{\text{GS}}$, $I_{\text{D}}=10\text{mA}$
Input Current	I_{IN}		150		μA	$V_{\text{IN}}=+3\text{V}$
Input Current	I_{IN}		335	500	μA	$V_{\text{IN}}=+5\text{V}$, all circumstances
Static Drain-Source On-State Resistance	$R_{\text{DS(on)}}$		1	2	Ω	$V_{\text{IN}}=3\text{V}$, $I_{\text{D}}=0.1\text{A}$
Static Drain-Source On-State Resistance	$R_{\text{DS(on)}}$		520	675	$\text{m}\Omega$	$V_{\text{IN}}=5\text{V}$, $I_{\text{D}}=0.7\text{A}$
Current Limit ^(e)	$I_{\text{D(LIM)}}$	1	1.8	3	A	$V_{\text{IN}}=5\text{V}$, $V_{\text{DS}}>5\text{V}$
Dynamic Characteristics						
Turn-On Time (V_{IN} to 90% I_{D})	t_{on}		27	40	μs	$R_{\text{L}}=22\Omega$, $V_{\text{IN}}=0$ to 5V, $V_{\text{DD}}=12\text{V}$
Turn-Off time (V_{IN} to 90% I_{D})	t_{off}		26	40	μs	$R_{\text{L}}=22\Omega$, $V_{\text{IN}}=5\text{V}$ to 0V, $V_{\text{DD}}=12\text{V}$
Slew Rate On (70 to 50% V_{DD})	$-dV_{\text{DS}}/dt_{\text{on}}$		1.4	10	$\text{V}/\mu\text{s}$	$R_{\text{L}}=22\Omega$, $V_{\text{IN}}=0$ to 5V, $V_{\text{DD}}=12\text{V}$
Slew Rate Off (50 to 70% V_{DD})	$dV_{\text{DS}}/dt_{\text{on}}$		1.2	10	$\text{V}/\mu\text{s}$	$R_{\text{L}}=22\Omega$, $V_{\text{IN}}=5\text{V}$ to 0V, $V_{\text{DD}}=12\text{V}$

NOTES:

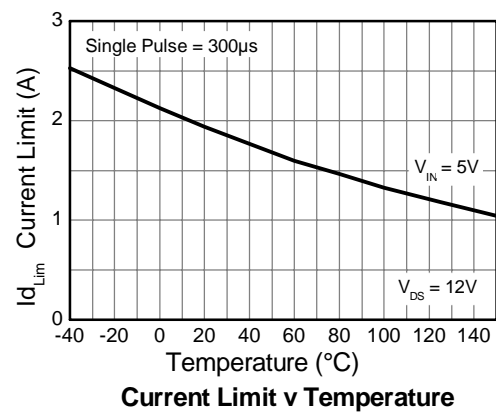
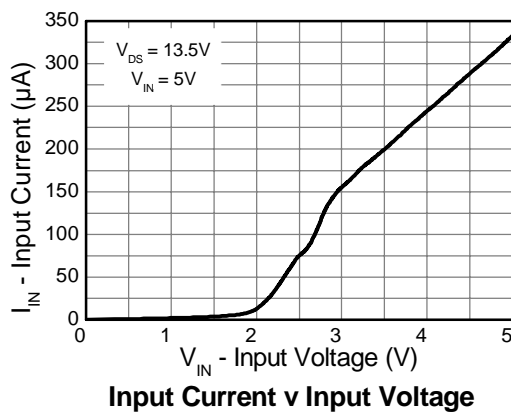
(d) Recommended input voltage range over which protection circuits function as specified.

(e) The drain current is limited to a reduced value when V_{DS} exceeds a safe level

ZXMS6001N3

Parameter	Symbol	Min	Typ	Max	Unit	Conditions
Protection Functions (f)						
Minimum input voltage for over temperature protection	V_{PROT}	4	3.5		V	$T_{trip} > 150^{\circ}C$
Maximum input voltage for over temperature protection	V_{PROT}		7	6	V	$T_{trip} > 150^{\circ}C$
Thermal Overload Trip Temperature	T_{JT}	150	175		$^{\circ}C$	
Thermal hysteresis			8		$^{\circ}C$	
Unclamped single pulse inductive energy $T_j = 25^{\circ}C$	E_{AS}	550			mJ	$I_{D(ISO)} = 0.7A, V_{DD} = 32V$
Unclamped single pulse inductive energy $T_j = 150^{\circ}C$	E_{AS}	200			mJ	$I_{D(ISO)} = 0.7A, V_{DD} = 32V$
Inverse Diode						
Source drain voltage	V_{SD}			1	V	$V_{IN} = 0V, -I_D = 1.4A$

- f Integrated protection functions are designed to prevent IC destruction under fault conditions described in the datasheet. Fault conditions are considered as "outside" normal operating range. Protection functions are not designed for continuous, repetitive operation.



Application information

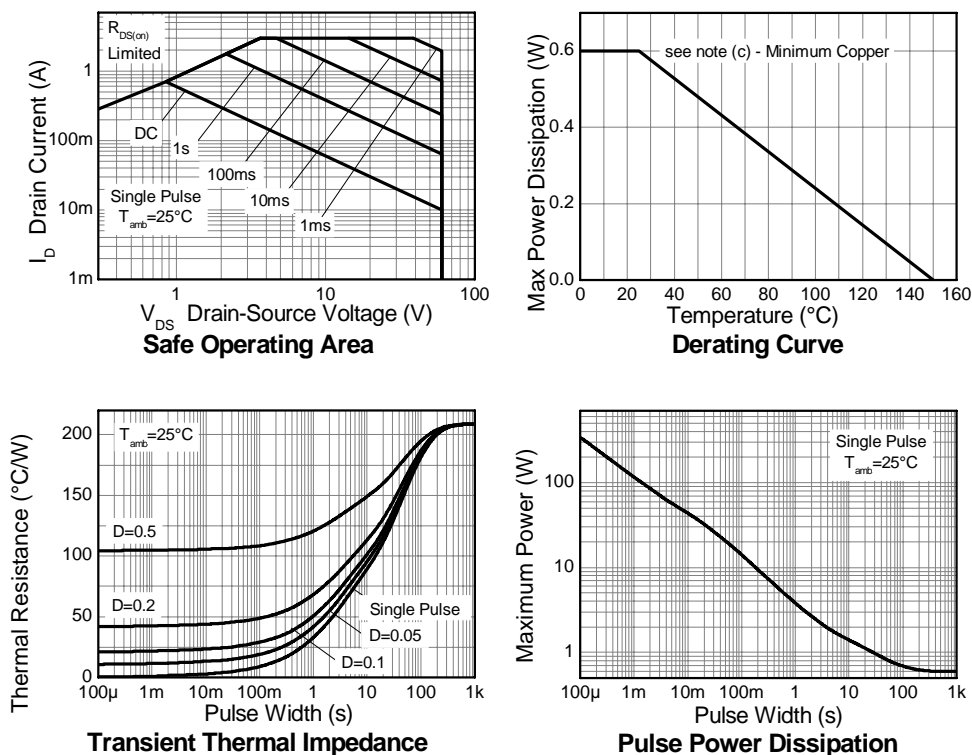
The current-limit protection circuitry is designed to de-activate at low V_{DS} to prevent the load current from being unnecessarily restricted during normal operation. The design max DC operating current is therefore determined by the thermal capability of the package/board combination, rather than by the protection circuitry (see graph page 8 'typical output characteristic'). This does not compromise the products ability to self protect at low V_{DS} .

The overtemperature protection circuit trips at a minimum of 150°C. So the available package dissipation reduces as the maximum required ambient temperature increases. This leads to the following maximum recommended continuous operating currents.

Minimum copper area characteristics

For minimum copper condition as described in note (c)

Max Ambient Temperature T_A	Maximum continuous current $V_{IN}=5V$
25°C at $V_{in}=5V$	720
70°C at $V_{in}=5V$	575
85°C at $V_{in}=5V$	520
125°C at $V_{in}=5V$	320

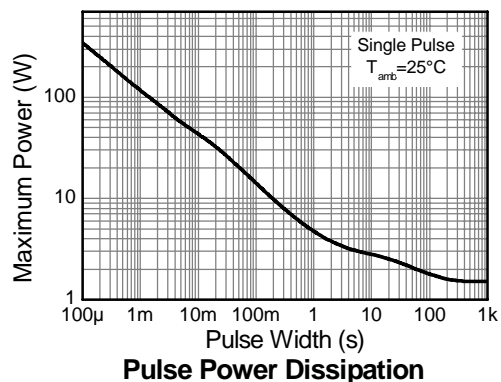
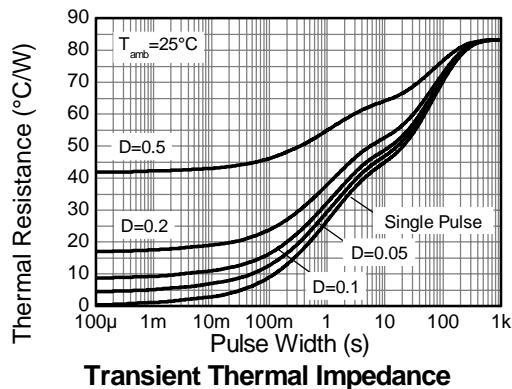
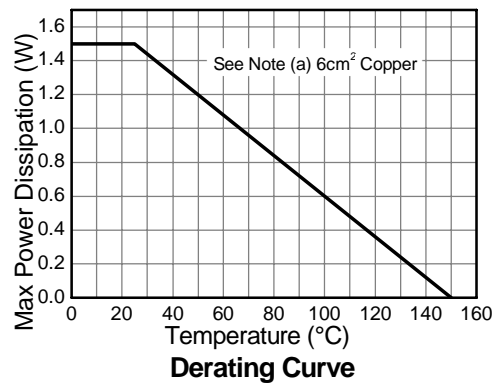
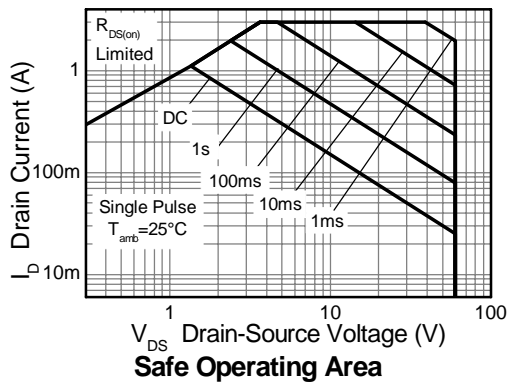


ZXMS6001N3

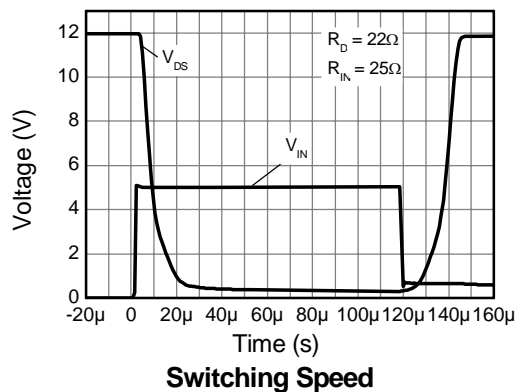
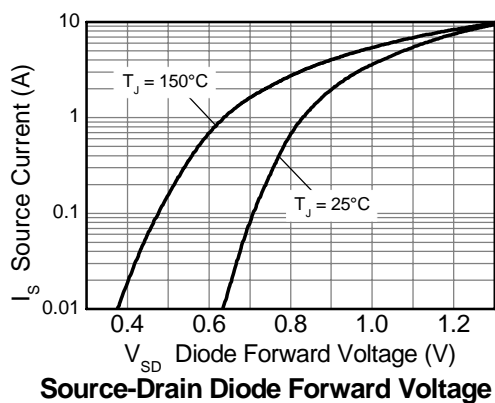
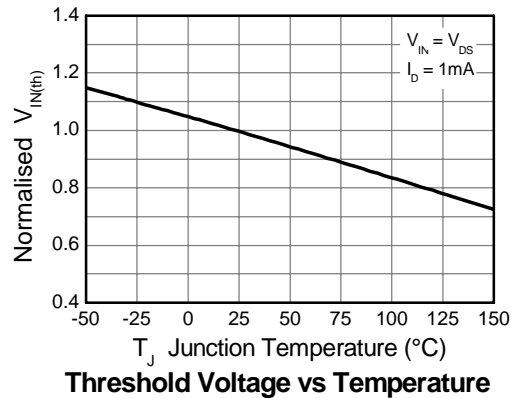
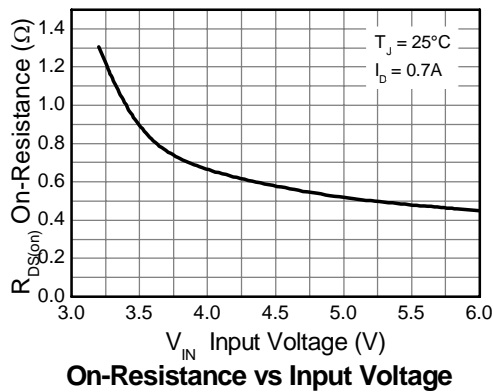
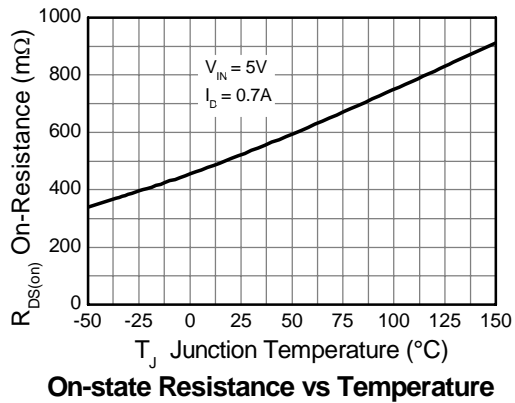
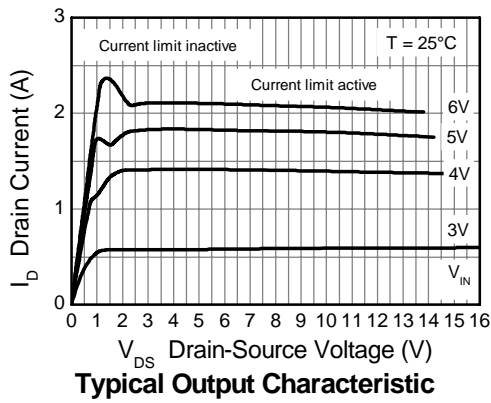
Large copper area characteristics

For large copper area as described in note (a)

Max Ambient Temperature T_A	Maximum continuous current $V_{IN}=5V$
25°C at $V_{in}=5V$	1140
70°C at $V_{in}=5V$	915
85°C at $V_{in}=5V$	825
125°C at $V_{in}=5V$	510

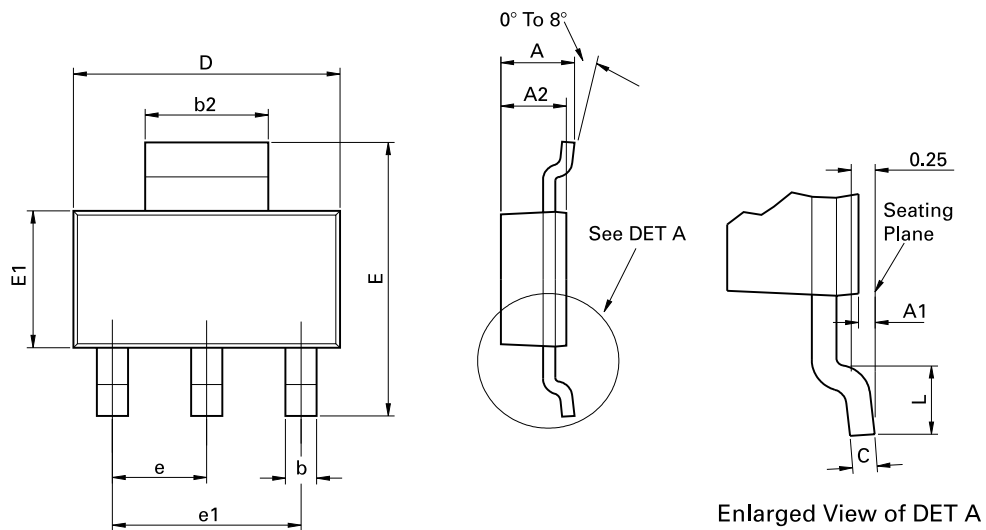


ZXMS6001N3



ZXMS6001N3

Package outline - SOT223



Conforms to JEDEC TO-261 AA Issue B

Dim.	Millimeters		Inches		Dim.	Millimeters		Inches	
	Min.	Max.	Min.	Max.		Min.	Max.	Min.	Max.
A	-	1.80	-	0.071	D	6.30	6.70	0.248	0.264
A1	0.02	0.10	0.0008	0.004	e	2.30 BSC		0.0905 BSC	
A2	1.55	1.65	0.0610	0.0649	e1	4.60 BSC		0.181 BSC	
b	0.66	0.84	0.026	0.033	E	6.70	7.30	0.264	0.287
b2	2.90	3.10	0.114	0.122	E1	3.30	3.70	0.130	0.146
C	0.23	0.33	0.009	0.013	L	0.90	-	0.355	-

Note: Controlling dimensions are in millimeters. Approximate dimensions are provided in inches

Definitions

Product change

Zetex Semiconductors reserves the right to alter, without notice, specifications, design, price or conditions of supply of any product or service. Customers are solely responsible for obtaining the latest relevant information before placing orders.

Applications disclaimer

The circuits in this design/application note are offered as design ideas. It is the responsibility of the user to ensure that the circuit is fit for the user's application and meets with the user's requirements. No representation or warranty is given and no liability whatsoever is assumed by Zetex with respect to the accuracy or use of such information, or infringement of patents or other intellectual property rights arising from such use or otherwise. Zetex does not assume any legal responsibility or will not be held legally liable (whether in contract, tort (including negligence), breach of statutory duty, restriction or otherwise) for any damages, loss of profit, business, contract, opportunity or consequential loss in the use of these circuit applications, under any circumstances.

Life support

Zetex products are specifically not authorized for use as critical components in life support devices or systems without the express written approval of the Chief Executive Officer of Zetex Semiconductors plc. As used herein:

A. Life support devices or systems are devices or systems which:

1. are intended to implant into the body

or

2. support or sustain life and whose failure to perform when properly used in accordance with instructions for use provided in the labeling can be reasonably expected to result in significant injury to the user.

B. A critical component is any component in a life support device or system whose failure to perform can be reasonably expected to cause the failure of the life support device or to affect its safety or effectiveness.

Reproduction

The product specifications contained in this publication are issued to provide outline information only which (unless agreed by the company in writing) may not be used, applied or reproduced for any purpose or form part of any order or contract or be regarded as a representation relating to the products or services concerned.

Terms and Conditions

All products are sold subjects to Zetex' terms and conditions of sale, and this disclaimer (save in the event of a conflict between the two when the terms of the contract shall prevail) according to region, supplied at the time of order acknowledgement.

For the latest information on technology, delivery terms and conditions and prices, please contact your nearest Zetex sales office.

Quality of product

Zetex is an ISO 9001 and TS16949 certified semiconductor manufacturer.

To ensure quality of service and products we strongly advise the purchase of parts directly from Zetex Semiconductors or one of our regionally authorized distributors. For a complete listing of authorized distributors please visit: www.zetex.com/salesnetwork

Zetex Semiconductors does not warrant or accept any liability whatsoever in respect of any parts purchased through unauthorized sales channels.

ESD (Electrostatic discharge)

Semiconductor devices are susceptible to damage by ESD. Suitable precautions should be taken when handling and transporting devices. The possible damage to devices depends on the circumstances of the handling and transporting, and the nature of the device. The extent of damage can vary from immediate functional or parametric malfunction to degradation of function or performance in use over time. Devices suspected of being affected should be replaced.

Green compliance

Zetex Semiconductors is committed to environmental excellence in all aspects of its operations which includes meeting or exceeding regulatory requirements with respect to the use of hazardous substances. Numerous successful programs have been implemented to reduce the use of hazardous substances and/or emissions.

All Zetex components are compliant with the RoHS directive, and through this it is supporting its customers in their compliance with WEEE and ELV directives.

Product status key:

"Preview"	Future device intended for production at some point. Samples may be available
"Active"	Product status recommended for new designs
"Last time buy (LTB)"	Device will be discontinued and last time buy period and delivery is in effect
"Not recommended for new designs"	Device is still in production to support existing designs and production
"Obsolete"	Production has been discontinued

Datasheet status key:

"Draft version"	This term denotes a very early datasheet version and contains highly provisional information, which may change in any manner without notice.
"Provisional version"	This term denotes a pre-release datasheet. It provides a clear indication of anticipated performance. However, changes to the test conditions and specifications may occur, at any time and without notice.
"Issue"	This term denotes an issued datasheet containing finalized specifications. However, changes to specifications may occur, at any time and without notice.

Zetex sales offices

Europe	Americas	Asia Pacific	Corporate Headquarters
Zetex GmbH Kustermann-park Balanstraße 59 D-81541 München Germany Telephone: (49) 89 45 49 49 0 Fax: (49) 89 45 49 49 49 europe.sales@zetex.com	Zetex Inc 700 Veterans Memorial Highway Hauppauge, NY 11788 USA Telephone: (1) 631 360 2222 Fax: (1) 631 360 8222 usa.sales@zetex.com	Zetex (Asia Ltd) 3701-04 Metroplaza Tower 1 Hing Fong Road, Kwai Fong Hong Kong Telephone: (852) 26100 611 Fax: (852) 24250 494 asia.sales@zetex.com	Zetex Semiconductors plc Zetex Technology Park, Chadderton Oldham, OL9 9LL United Kingdom Telephone: (44) 161 622 4444 Fax: (44) 161 622 4446 hq@zetex.com

© 2008 Published by Zetex Semiconductors plc

AMEYA360

Components Supply Platform

Authorized Distribution Brand :



Website :

Welcome to visit www.ameya360.com

Contact Us :

➤ Address :

401 Building No.5, JiuGe Business Center, Lane 2301, Yishan Rd
Minhang District, Shanghai , China

➤ Sales :

Direct +86 (21) 6401-6692

Email amall@ameya360.com

QQ 800077892

Skype [ameyasales1](#) [ameyasales2](#)

➤ Customer Service :

Email service@ameya360.com

➤ Partnership :

Tel +86 (21) 64016692-8333

Email mkt@ameya360.com