



## Features

- Current rating up to 1.6 A
- Inductance range: 10 to 6500  $\mu$ H
- Frequency up to 300 MHz
- Dimensions: 9.2 x 6 x 5 mm
- AEC-Q200 qualified
- RoHS compliant\* and halogen free\*\*

## Applications

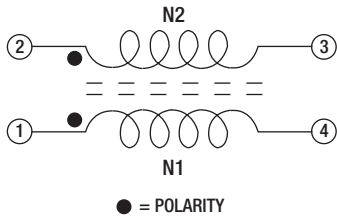
- Automotive systems:
  - Driver assistant
  - Information
  - Entertainment
  - Lighting
- EMI suppression

# SRF0905A Series - Line Filter

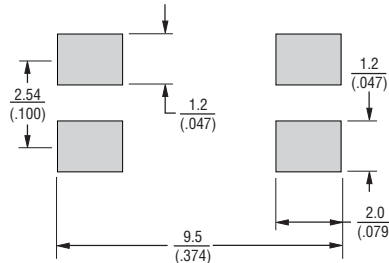
### Electrical Specifications @ 25 °C

Bourns Part Number	Inductance			DCR ( $\Omega$ ) Max.	Rated Voltage (Vdc)	I rms (A)	Freq. Range (MHz)	Imped. ( $\Omega$ ) Min.
	L ( $\mu$ H)	Tol. (%)	Test Freq./ Voltage					
SRF0905A-100Y	10	$\pm 30$	1 kHz / 0.1 V	0.08	80	1.6	20 - 300	200
SRF0905A-250Y	25	$\pm 30$	1 kHz / 0.1 V	0.16	80	1.0	20 - 150	600
SRF0905A-400Y	40	$\pm 30$	1 kHz / 0.1 V	0.25	80	0.9	20 - 100	800
SRF0905A-500Y	50	$\pm 30$	1 kHz / 0.1 V	0.32	80	0.8	20 - 100	1500
SRF0905A-251Y	250	$\pm 50$	100 kHz / 5 mV	0.13	80	1.2	3 - 20	600
SRF0905A-471Y	470	$\pm 50$	100 kHz / 5 mV	0.14	80	1.1	2 - 20	1000
SRF0905A-501Y	500	$\pm 50$	100 kHz / 5 mV	0.15	80	1.0	1 - 20	1000
SRF0905A-102Y	1000	$\pm 50$	100 kHz / 5 mV	0.31	80	0.8	1 - 15	1500
SRF0905A-202Y	2000	$\pm 50$	100 kHz / 5 mV	0.42	80	0.6	1 - 5	3000
SRF0905A-472Y	4700	$\pm 50$	100 kHz / 5 mV	0.9	80	0.4	0.3 - 3	4000
SRF0905A-652Y	6500	$\pm 50$	100 kHz / 5 mV	1.05	80	0.3	0.3 - 2	5000

### Electrical Schematic

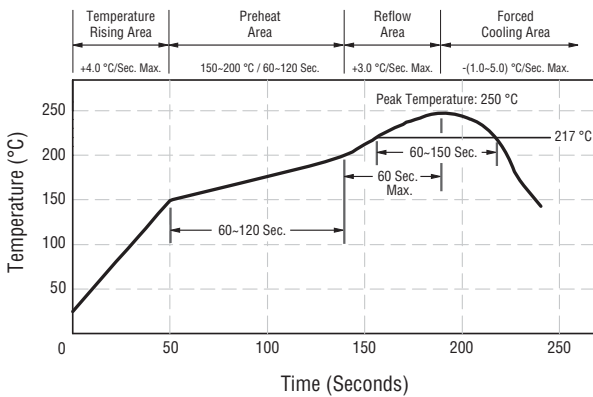


### Recommended Layout



DIMENSIONS:  $\frac{\text{MM}}{\text{(INCHES)}}$

### Soldering Profile



Peak Temperature: 250 °C max.  
 Max. Peak Temperature -5 °C: 30 sec. max.  
 Max. Time Above 217 °C: 90-150 sec. max.

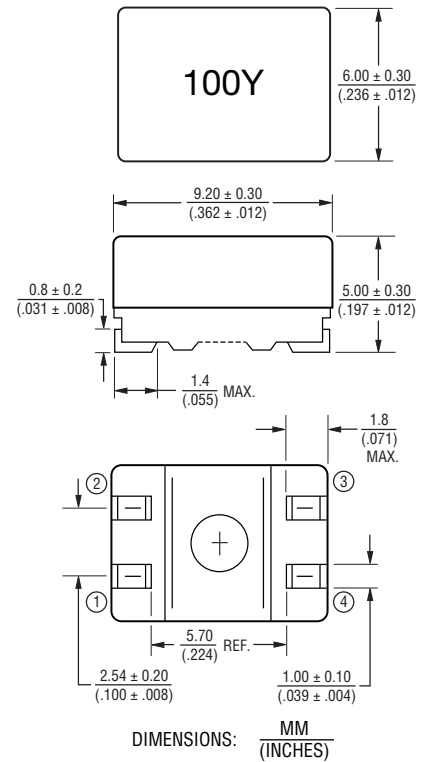
### General Specifications

Operating Temperature .....-40 °C to +105 °C  
 (Temperature rise included)  
 Storage Temperature .....-40 °C to +105 °C  
 Resistance to Solder Heat .....+250 °C for 10 sec.  
 Temperature Rise .....45 °C typ. at rated I rms  
 Hi-Pot ..... 500 VAC, 60 Hz,  
 3 mA max. for 3 seconds

### Materials

Core .....Ferrite, toroid  
 Wire .....Enameled copper  
 Terminal Finish .....Sn  
 Packaging ..... 1000 pcs. per reel

### Product Dimensions



DIMENSIONS:  $\frac{\text{MM}}{\text{(INCHES)}}$

### How to Order

**SRF0905A - 100Y**

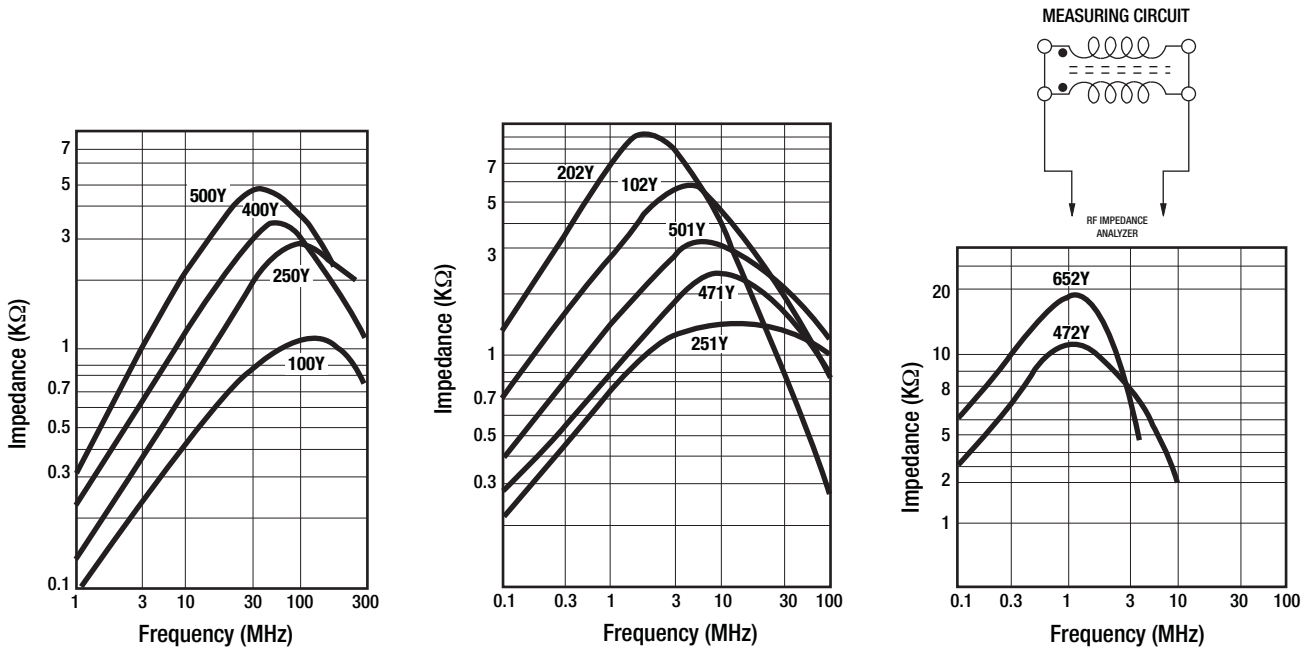
Model \_\_\_\_\_  
 Value Code (see table) \_\_\_\_\_

\* RoHS Directive 2002/95/EC Jan. 27, 2003 including annex and RoHS Recast 2011/65/EU June 8, 2011.  
 \*\* Bourns follows the prevailing definition of "halogen free" in the industry. Bourns considers a product to be "halogen free" if (a) the Bromine (Br) content is 900 ppm or less; (b) the Chlorine (Cl) content is 900 ppm or less; and (c) the total Bromine (Br) and Chlorine (Cl) content is 1500 ppm or less.  
 Specifications are subject to change without notice.  
 The device characteristics and parameters in this data sheet can and do vary in different applications and actual device performance may vary over time.  
 Users should verify actual device performance in their specific applications.

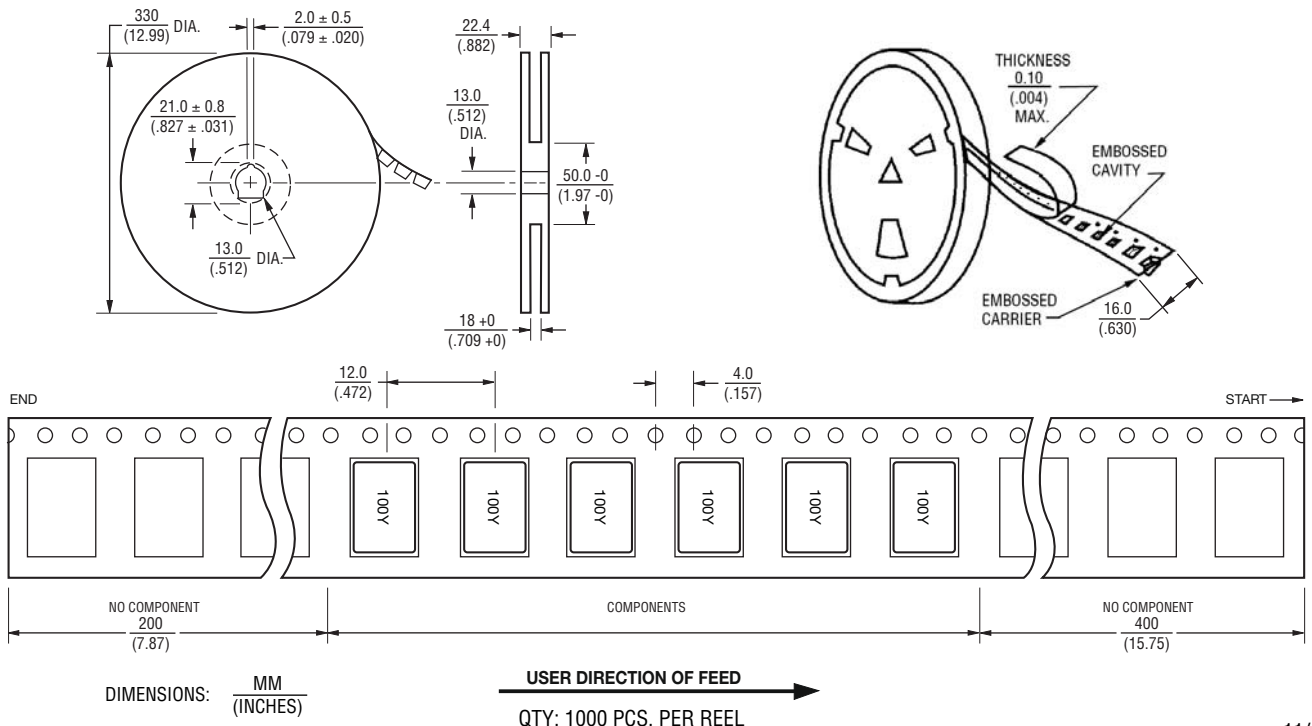
# SRF0905A Series - Line Filter

**BOURNS®**

## Impedance Graphs



## Packaging Specifications



# AMEYA360

## Components Supply Platform

Authorized Distribution Brand :



Website :

Welcome to visit [www.ameya360.com](http://www.ameya360.com)

Contact Us :

➤ Address :

401 Building No.5, JiuGe Business Center, Lane 2301, Yishan Rd  
Minhang District, Shanghai , China

➤ Sales :

Direct +86 (21) 6401-6692

Email [amall@ameya360.com](mailto:amall@ameya360.com)

QQ 800077892

Skype [ameyasales1](#) [ameyasales2](#)

➤ Customer Service :

Email [service@ameya360.com](mailto:service@ameya360.com)

➤ Partnership :

Tel +86 (21) 64016692-8333

Email [mkt@ameya360.com](mailto:mkt@ameya360.com)