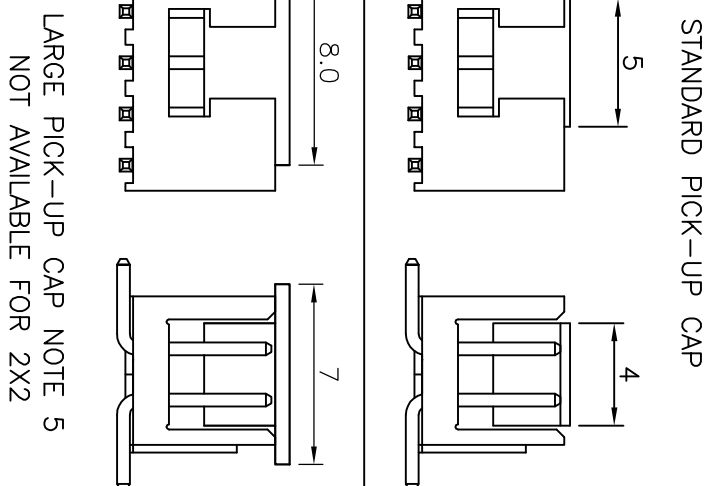
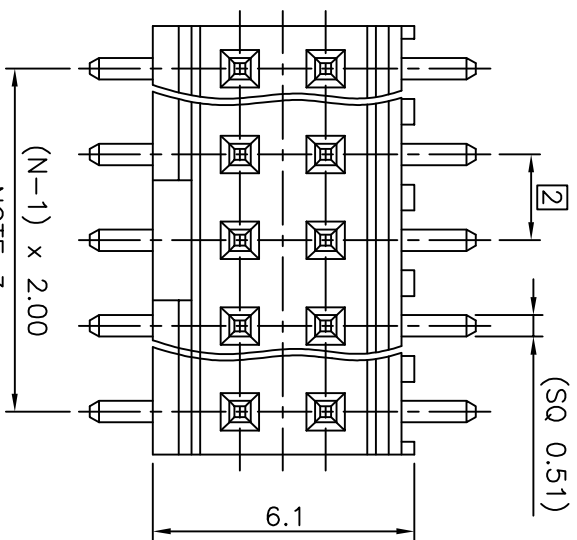


PRODUCT NUMBER  
95615-XXXXLF

PLATING \_\_\_\_\_ ROHS COMPATIBLE, SEE NOTE 6  
PACKAGING, SEE NOTE 5  
TOTAL NB OF POSITIONS, 08 TO 34

- 0 = 0.20µm GOLD/GXT ON CONTACT AREA  
2µm MIN MATTE TIN ON TAIL
  - 1 = 0.76µm GOLD/GXT ON CONTACT AREA  
2µm MIN MATTE TIN ON TAIL
  - 3 = 0.38µm GOLD/GXT ON CONTACT AREA  
2µm MIN MATTE TIN ON TAIL
  - 5 = 0.38µm GXT FULL PLATED
  - 6 = 0.76µm GXT FULL PLATED
  - 7 = 0.76µm GOLD/GXT FULL PLATED
  - 9 = 0.20µm GOLD/GXT FULL PLATED
- 1.27µm Ni MIN UNDERPLATING

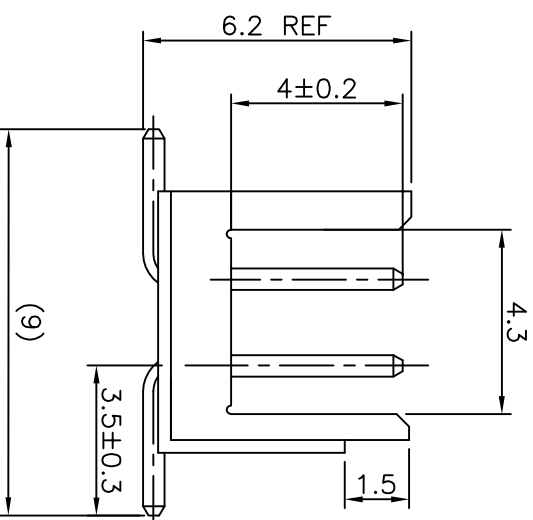
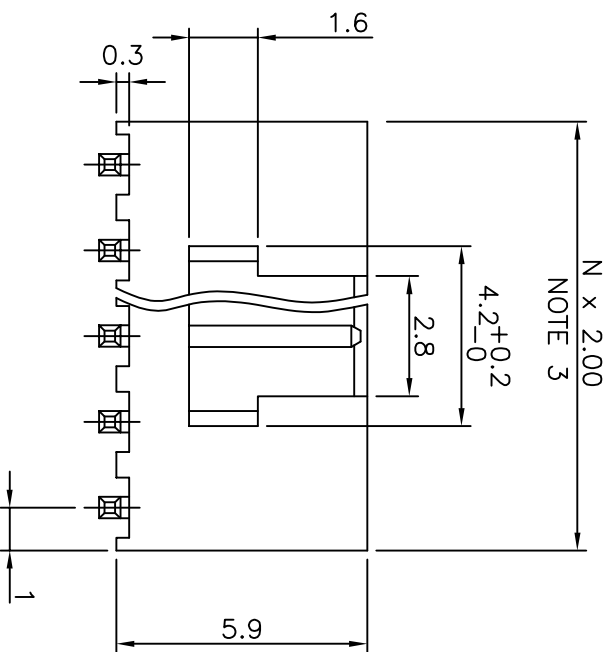
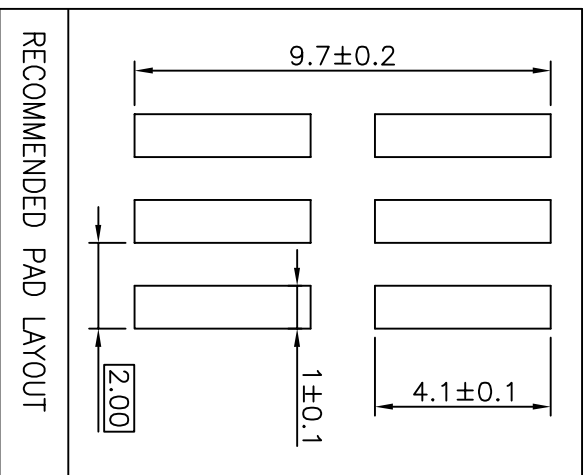


NOTES:

1. MATERIAL HOUSING: HIGH TEMP. THERMOPLASTIC  
UL 94V-0, COLOR CREAM
2. MATERIAL TERMINAL: COPPER ALLOY
3. TO DETERMINE DIMENSIONS:  
N = NUMBER OF POSITIONS PER ROW
4. 7N MIN. PIN RETENTION IN EITHER DIRECTION.
5. PACKAGING:  
= POLYBAGS  
T = TUBE AVAILABILITY : FROM 2x5 UP TO 2x 17  
B = TUBE WITH PICK UP CAP AVAILABLE FROM 2x5 UP TO 2x 17  
K = TAPE AND REEL WITHOUT PICK-UP CAP, AVAILABLE FROM TA-845  
A = TAPE AND REEL WITH LARGE PICK-UP CAP, NOT AVAILABLE FOR 2X2  
TR = TAPE AND REEL WITH PICK-UP CAP, AVAILABLE FROM TA-845.

6. ROHS COMPATIBLE PRODUCT SPECIFICATIONS

- a - PLATING:  
- "LF" MEANS THE PRODUCT IS LEAD-FREE,  
2µm MINIMUM MATTE TIN OVER 1.27µm  
MINIMUM NICKEL UNDERPLATE.
- b - MANUFACTURING PROCESS COMPATIBILITY  
- THE HOUSING WILL WITHSTAND EXPOSURE TO  
260°C PEAK TEMPERATURE FOR 30 SECONDS  
MAX IN A CONVECTION, INFRA-RED OR VAPOR  
PHASE OR REFLOW OVEN.
- c - LABELLING:  
- MEETS PACKAGING SPECS AS PER GS-14-920
- d - THIS PRODUCT MEETS EUROPEAN DIRECTIVES  
AND OTHER COUNTRY REGULATIONS AS DESCRIBED  
IN GS-47-0004.



mat'l. code		surface		tolerance		projection		product family	
SEE NOTES		ISO 1302	ISO 406	ISO 101	ISO 101	mm		MINITEK HEADER	
ltr	ecn no	dr	date	tolerances unless otherwise specified	linear	angular	linear	angular	title
K	F05-0128	LMU	05.02.21	.X	±0.3				SHR HEADER
L	F06-0210	LMU	06.07.05	.XX	±0.13				2.00mm SMT
M	F07-0191	JCO	07.09.05	±2°	.XXX	±0.05			
N	F08-0145	ELA	08.04.15	dr	JL.CORDIER	97.07.26			
P	F11-0071	JCO	11.06.17	engr	JL.COMPAGNON	97.07.26			
R	F11-0339	JCO	11.12.06	chr	JL.CORDIER	97.07.26			
S	B-19190	LMU	14.10.24	dppd	COMPAGNON	97.07.26			
Sheet index	revision	sheet							



product family  
MINITEK HEADER

dwg no  
95615

sheet 1 of 1

size  
A3

type  
CUSTOMER Drawing



FCIconnect.com

Copyright FCI

form: A3

# AMEYA360

Components Supply Platform

Authorized Distribution Brand :



Website :

Welcome to visit [www.ameya360.com](http://www.ameya360.com)

Contact Us :

➤ Address :

401 Building No.5, JiuGe Business Center, Lane 2301, Yishan Rd  
Minhang District, Shanghai , China

➤ Sales :

Direct +86 (21) 6401-6692

Email [amall@ameya360.com](mailto:amall@ameya360.com)

QQ 800077892

Skype [ameyasales1](#) [ameyasales2](#)

➤ Customer Service :

Email [service@ameya360.com](mailto:service@ameya360.com)

➤ Partnership :

Tel +86 (21) 64016692-8333

Email [mkt@ameya360.com](mailto:mkt@ameya360.com)