

PLEASE CHECK WWW.MOLEX.COM FOR LATEST PART INFORMATION

Part Number: [85502-5005](#)
Status: **Active**
Overview: [Modular Plugs - Jacks](#)
Description: Modular Jack, Right Angle, Low Profile, Surface Mount, 4/4, Gold (Au)

Documents:

[3D Model](#) [Test Summary STR-1413 \(PDF\)](#)
[Drawing \(PDF\)](#) [RoHS Certificate of Compliance \(PDF\)](#)
[Product Specification PS-95501 \(PDF\)](#)

Agency Certification

UL E107635

General

Product Family Modular Jacks/Plugs
 Series [85502](#)
 Component Type PCB Jack
 Magnetic No
 Overview [Modular Plugs - Jacks](#)
 Performance Category 3
 Power over Ethernet (PoE) N/A
 Product Name RJ11
 UPC 822350900287

Physical

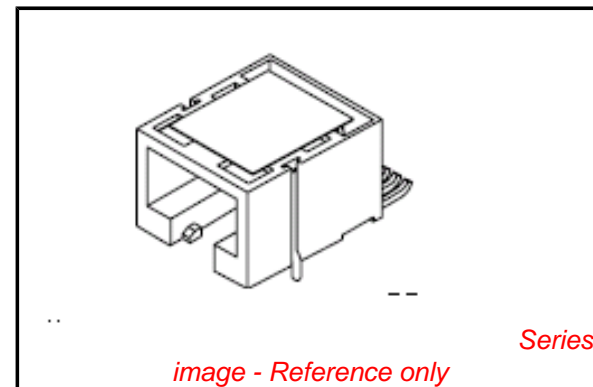
Color - Resin Black
 Durability (mating cycles max) 500
 Flammability 94V-0
 Inverted / Top Latch No
 Jack Height 11.50mm
 Lightpipes/LEDs None
 Material - Metal Copper Alloy
 Material - Plating Mating Gold
 Material - Plating Termination Tin
 Material - Resin High Temperature Thermoplastic
 Net Weight 1.867g
 Orientation Right Angle (Side Entry)
 PCB Locator No
 PCB Retention Yes
 Packaging Type Embossed Tape on Reel
 Pitch - Mating Interface 1.02mm
 Pitch - Termination Interface 1.27mm
 Ports 1
 Positions / Loaded Contacts 4/4
 Surface Mount Compatible (SMC) Yes
 Temperature Range - Operating -40°C to +80°C
 Termination Interface: Style Surface Mount
 Waterproof / Dustproof No
 Wire/Cable Type N/A

Electrical

Current - Maximum per Contact 1.5A
 Shielded No
 Voltage - Maximum 125V AC (RMS)

Solder Process Data

Duration at Max. Process Temperature (seconds) 45



EU RoHS

ELV and RoHS Compliant
REACH SVHC Contains SVHC: No
Low-Halogen Status Low-Halogen

China RoHS



Need more information on product environmental compliance?

Email productcompliance@molex.com
 For a multiple part number RoHS Certificate of Compliance, [click here](#)

Please visit the [Contact Us](#) section for any non-product compliance questions.

Search Parts in this Series

[85502Series](#)

Mates With

FCC 68 Plugs

Lead-free Process Capability
Max. Cycles at Max. Process Temperature
Process Temperature max. C

Reflow Capable (SMT only)
3
260

Material Info

Reference - Drawing Numbers

Product Specification
Sales Drawing
Test Summary

PS-95501
SD-85502-101
STR-1413

This document was generated on 03/09/2015

PLEASE CHECK WWW.MOLEX.COM FOR LATEST PART INFORMATION

AMEYA360

Components Supply Platform

Authorized Distribution Brand :



Website :

Welcome to visit www.ameya360.com

Contact Us :

➤ Address :

401 Building No.5, JiuGe Business Center, Lane 2301, Yishan Rd
Minhang District, Shanghai , China

➤ Sales :

Direct +86 (21) 6401-6692

Email amall@ameya360.com

QQ 800077892

Skype [ameyasales1](#) [ameyasales2](#)

➤ Customer Service :

Email service@ameya360.com

➤ Partnership :

Tel +86 (21) 64016692-8333

Email mkt@ameya360.com