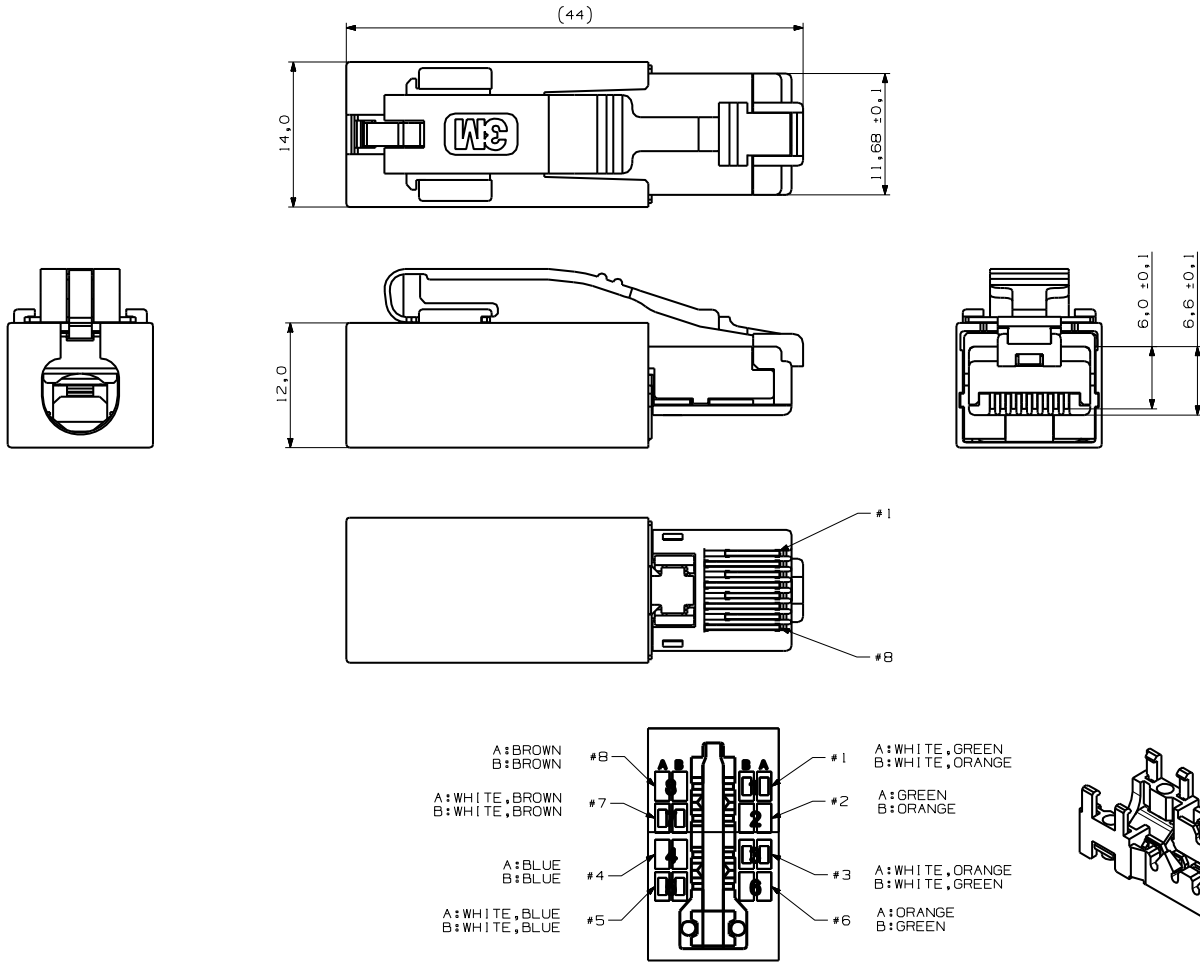


3M™ INDUSTRIAL RJ45 MODULAR PLUG FOR ENHANCED CATEGORY 5 CABLE, MODULAR, IDC, WIREMOUNT



PERFORMANCE

1) MECHANICAL
 INSERTION FORCE: 20N MAX.
 WITHDRAWAL FORCE: 20N MAX. (EXCLUDE LATCH MECHANISM)
 LATCH RETENTION FORCE: 49N MIN.

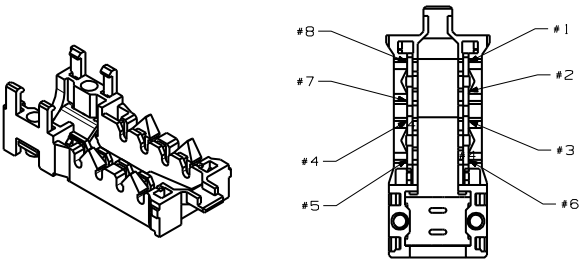
2) ELECTRICAL
 CURRENT RATING: 0.5A
 VOLTAGE RATING: 24V
 WITHSTANDING VOLTAGE: 100VACrms
 INSULATION RESISTANCE: 5×10^8 OHMS at 100VDC
 RETURN LOSS:
 TO MEET ENHANCED CATEGORY 5 REQUIREMENT (EIA/TIA-568 B.2 CAT5)
 NEAR END CROSS TALK:
 TO MEET ENHANCED CATEGORY 5 REQUIREMENT (EIA/TIA-568 B.2 CAT5)
 SHIELD RESISTANCE:
 100 MILLI OHM AT INITIAL CONDITION
 CONTACT RESISTANCE:
 100 MILLI OHM AT INITIAL CONDITION
 DELTA R 25 MILLI OHM MAX. AFTER EVALUATION TEST BASED ON 78-5102-0130-0

NOTE
 THE HIGH FREQ. ELECTRICAL PERFORMANCE OF CABLES DIFFERS ACCORDING TO FACTORS SUCH AS CABLE STRUCTURE, CABLE LENGTH, AND INSTALLATION LAYOUT. THEN TO CHECK THE HIGH FREQ. ELECTRICAL PERFORMANCE OF THE CABLE ASSEMBLY BEFORE INSTALLATION IS RECOMMENDED.

3) ENVIRONMENTAL
 TEMPERATURE RATING: -40°C TO 70°C

NOTE
 FOR LOW TEMPERATURE LIMIT:
 EXCLUDING CABLE PERFORMANCE, NO DEW CONDITION
 FOR HIGH TEMPERATURE LIMIT:
 INCLUDING TEMPERATURE RAISING BY CURRENT

- NOTES**
- MATERIAL:
 BODY: GLASS REINFORCED THERMOPLASTIC, UL 94V0
 CASE, COVER AND LATCH THERMOPLASTIC, UL 94V0
 CONTACT: COPPER ALLOY
 - PLATING
 UNDER NICKEL PLATING
 CONTACT AREA: 1.27um GOLD MIN.
 TERMINAL AREA: Sn PLATING
 - MATED WITH INDUSTRIAL RJ45 MODULAR JACK CONNECTOR
 - COMPATIBLE CABLE:
 ENHANCED CATEGORY 5 CABLE AS FOLLOWS
 1) WIRE
 AWG 24 SOLID
 AWG 24 STRANDED (7 WIRES)
 AWG 26 STRANDED (7 WIRES)
 2) CABLE GROUNDING
 BRAIDED SHIELD OR DRAIN WIRES
 3) CABLE OUTER DIAMETER
 6.8mm MAX.
 - RoHS COMPLIANT.
 SEE THE REGULATORY INFORMATION APPENDIX (RIA) IN THE "RoHS COMPLIANCE" SECTION OF WWW.3MCONNECTORS.COM FOR COMPLIANCE INFORMATION (RIA E1 & C1 APPLY).
 - FOR PRODUCT SPECIFICATIONS AND WARRANTY INFORMATION SEE 3M 78-5102-0130-0
 - IN THE EVENT OF CONFLICT BETWEEN THIS DATA AND THAT CONTAINED IN THE PRODUCT SPECIFICATION, THE PRODUCT SPECIFICATION TAKES PRECEDENT.



SIGNAL WIRING GUIDE ON SEAL (T568A/T568B)

ORDERING INFORMATION RJ45 MODULAR PLUG
3RI 08-0000-000 CE

PRODUCTION SERIES:
3RI: INDUSTRIAL RJ45 MODULAR PLUG

PLATING SUFFIX
CE: UNDER Ni PLATING
 CONTACT AREA: 1.27um GOLD MIN.
 TERMINAL AREA: Sn

CONTACT QUANTITY:
08: 8 PIN

3M™ ELECTRONIC SOLUTIONS DIVISION
 INTERCONNECT SOLUTIONS
 VISIT <http://www.3mconnectors.com>

3M IS A TRADEMARK OF 3M COMPANY.
 FOR TECHNICAL, SALES OR ORDERING INFORMATION
 CALL YOUR LOCAL SALES REPRESENTATIVE

DESIGN REFERENCE	NEXT ASSEMBLY	REV	ECO	ISSUE DATE AND DESCRIPTION	DRFT	CHKD
A	39561			MAR 20, 2012 PRODUCTION RELEASE	JNC	ULAB
DESIGN CODE	DIVISION CODE	DATE	BY	DATE	DATE	DATE
CASTIGLIONE	150	MAR 20, 2012	H. MATUSZAKA	MAR 29, 2012		

DO NOT SCALE DRAWING THIRD ANGLE PROJECTION INTERPRET PER ASME Y14.5 - 1994 DIM. SURFACE FINISHES UNLESS SPECIFIED OTHERWISE UNLESS OTHERWISE SPECIFIED ALL DIMENSIONS ARE IN MILLIMETERS	TOLERANCES EXCEPT AS NOTED INCHES .0000 + .0005 .0005 + .0010 .0010 + .0015 .0015 + .0020 .0020 + .0025 .0025 + .0030 .0030 + .0035 .0035 + .0040 .0040 + .0045 .0045 + .0050 .0050 + .0055 .0055 + .0060 .0060 + .0065 .0065 + .0070 .0070 + .0075 .0075 + .0080 .0080 + .0085 .0085 + .0090 .0090 + .0095 .0095 + .0100 .0100 + .0105 .0105 + .0110 .0110 + .0115 .0115 + .0120 .0120 + .0125 .0125 + .0130 .0130 + .0135 .0135 + .0140 .0140 + .0145 .0145 + .0150 .0150 + .0155 .0155 + .0160 .0160 + .0165 .0165 + .0170 .0170 + .0175 .0175 + .0180 .0180 + .0185 .0185 + .0190 .0190 + .0195 .0195 + .0200 .0200 + .0205 .0205 + .0210 .0210 + .0215 .0215 + .0220 .0220 + .0225 .0225 + .0230 .0230 + .0235 .0235 + .0240 .0240 + .0245 .0245 + .0250 .0250 + .0255 .0255 + .0260 .0260 + .0265 .0265 + .0270 .0270 + .0275 .0275 + .0280 .0280 + .0285 .0285 + .0290 .0290 + .0295 .0295 + .0300 .0300 + .0305 .0305 + .0310 .0310 + .0315 .0315 + .0320 .0320 + .0325 .0325 + .0330 .0330 + .0335 .0335 + .0340 .0340 + .0345 .0345 + .0350 .0350 + .0355 .0355 + .0360 .0360 + .0365 .0365 + .0370 .0370 + .0375 .0375 + .0380 .0380 + .0385 .0385 + .0390 .0390 + .0395 .0395 + .0400 .0400 + .0405 .0405 + .0410 .0410 + .0415 .0415 + .0420 .0420 + .0425 .0425 + .0430 .0430 + .0435 .0435 + .0440 .0440 + .0445 .0445 + .0450 .0450 + .0455 .0455 + .0460 .0460 + .0465 .0465 + .0470 .0470 + .0475 .0475 + .0480 .0480 + .0485 .0485 + .0490 .0490 + .0495 .0495 + .0500 .0500 + .0505 .0505 + .0510 .0510 + .0515 .0515 + .0520 .0520 + .0525 .0525 + .0530 .0530 + .0535 .0535 + .0540 .0540 + .0545 .0545 + .0550 .0550 + .0555 .0555 + .0560 .0560 + .0565 .0565 + .0570 .0570 + .0575 .0575 + .0580 .0580 + .0585 .0585 + .0590 .0590 + .0595 .0595 + .0600 .0600 + .0605 .0605 + .0610 .0610 + .0615 .0615 + .0620 .0620 + .0625 .0625 + .0630 .0630 + .0635 .0635 + .0640 .0640 + .0645 .0645 + .0650 .0650 + .0655 .0655 + .0660 .0660 + .0665 .0665 + .0670 .0670 + .0675 .0675 + .0680 .0680 + .0685 .0685 + .0690 .0690 + .0695 .0695 + .0700 .0700 + .0705 .0705 + .0710 .0710 + .0715 .0715 + .0720 .0720 + .0725 .0725 + .0730 .0730 + .0735 .0735 + .0740 .0740 + .0745 .0745 + .0750 .0750 + .0755 .0755 + .0760 .0760 + .0765 .0765 + .0770 .0770 + .0775 .0775 + .0780 .0780 + .0785 .0785 + .0790 .0790 + .0795 .0795 + .0800 .0800 + .0805 .0805 + .0810 .0810 + .0815 .0815 + .0820 .0820 + .0825 .0825 + .0830 .0830 + .0835 .0835 + .0840 .0840 + .0845 .0845 + .0850 .0850 + .0855 .0855 + .0860 .0860 + .0865 .0865 + .0870 .0870 + .0875 .0875 + .0880 .0880 + .0885 .0885 + .0890 .0890 + .0895 .0895 + .0900 .0900 + .0905 .0905 + .0910 .0910 + .0915 .0915 + .0920 .0920 + .0925 .0925 + .0930 .0930 + .0935 .0935 + .0940 .0940 + .0945 .0945 + .0950 .0950 + .0955 .0955 + .0960 .0960 + .0965 .0965 + .0970 .0970 + .0975 .0975 + .0980 .0980 + .0985 .0985 + .0990 .0990 + .0995 .0995 + .1000	TITLE INDUSTRIAL RJ45 MODULAR PLUG, FOR CAT 5-e CABLE, IDC, WMT, TS-2515
---	--	--

CAGE NUMBER: **78-5100-2515-4**
 MODEL: **150**
 REV. **1** OF **1**

AMEYA360

Components Supply Platform

Authorized Distribution Brand :



Website :

Welcome to visit www.ameya360.com

Contact Us :

➤ Address :

401 Building No.5, JiuGe Business Center, Lane 2301, Yishan Rd
Minhang District, Shanghai , China

➤ Sales :

Direct +86 (21) 6401-6692

Email amall@ameya360.com

QQ 800077892

Skype [ameyasales1](#) [ameyasales2](#)

➤ Customer Service :

Email service@ameya360.com

➤ Partnership :

Tel +86 (21) 64016692-8333

Email mkt@ameya360.com