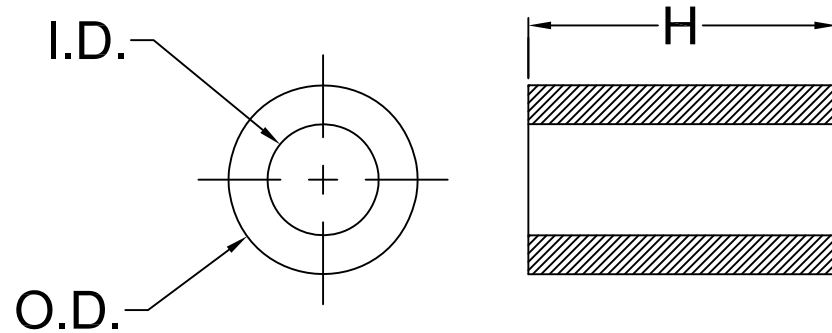


REV.	DESCRIPTION	DATE	APPROVED
A	Engineering Update w/o Changes	02/24/04	M. C.
B	Typo Correction	10/28/08	T. Y.
C	Remove 9910 P/N, Ref. EOL NOTICE 031215	06/15/15	J. C.



SERIES	SCREW SIZE	I.D.	O.D.	- XXX	H
9913	#2	.091(2.3mm)	.187(4.7mm)	-062	1/16 (1.6mm)
				-125	1/8 (3.2mm)
				-187	3/16 (4.8mm)
9908	#4	.125(3.2mm)	.187(4.7mm)	-250	1/4 (6.4mm)
				-312	5/16 (7.9mm)
				-375	3/8 (9.5mm)
9911	#4	.125(3.2mm)	.250(6.4mm)	-437	7/16 (11.1mm)
				-500	1/2 (12.7mm)
				-562	9/16 (14.3mm)
9905	#6	.147(3.7mm)	.250(6.4mm)	-625	5/8 (15.9mm)
				-750	3/4 (19.1mm)
				-812	13/16 (20.6mm)
9912	#8	.171(4.3mm)	.250(6.4mm)	-875	7/8 (22.2mm)
				-937	15/16 (23.8mm)
				-1000	1.0 (25.4mm)

3. TOLERANCE "H" DIMENSION:


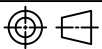
$H \leq 0.500$ (12.7mm) ± 0.005 (0.1mm)

$H > 0.500$ (12.7mm) ± 0.010 (0.3mm)

2. MATERIAL: NYLON 6, ULTRAMID 8270 HS, NATURAL. BIVAR MATERIAL CODE 01-NL-WE.

ALLIED CHEMICAL POLYAMID NYLON 6 WITH CLARIANT CNY02655 WHITE NYLON CONCENTRATE..

1. GENERAL SPECIFICATIONS: BIVAR EXTRUDED PRODUCT SPECIFICATION BV00-E103.

STANDARD TOLERANCE (UNLESS OTHERWISE SPECIFIED)		 4 THOMAS, IRVINE, CA. 92618 TEL: (949) 951-8808 FAX: (949) 951-3974	
DECIMALS	ANGULAR		
.X $\pm .1$	X° $\pm 1^\circ$		TITLE: NYLON TUBE SPACERS
.XX $\pm .01$			PART NO: 99XX-XXX
.XXX $\pm .005$			REVISION: C
DESIGNED: Ty Yin	DATE: 02/24/04	CAGE CODE : 32559	SHEET # 1 OF 1
CHECKED: D. Green	DATE: 02/24/04	CAD GENERATED DOCUMENT, DO NOT MEASURE DRAWING.	

AMEYA360

Components Supply Platform

Authorized Distribution Brand :



Website :

Welcome to visit www.ameya360.com

Contact Us :

➤ Address :

401 Building No.5, JiuGe Business Center, Lane 2301, Yishan Rd
Minhang District, Shanghai , China

➤ Sales :

Direct +86 (21) 6401-6692

Email amall@ameya360.com

QQ 800077892

Skype [ameyasales1](#) [ameyasales2](#)

➤ Customer Service :

Email service@ameya360.com

➤ Partnership :

Tel +86 (21) 64016692-8333

Email mkt@ameya360.com