

Evaluation Board for CS4361

Features

- ◆ Demonstrates recommended layout and grounding arrangements
- ◆ CS8416 receives S/PDIF, & EIAJ-340-compatible digital audio
- ◆ Header for External PCM Audio
- ◆ Requires only a digital signal source and power supplies for a complete digital-to-analog converter system

Description

The CDB4361 evaluation board is an excellent means for quickly evaluating the CS4361 24-bit, 20-pin, 6-channel D/A converter. Evaluation requires an analog signal analyzer, a digital signal source, and a power supply. Analog line-level outputs are provided via RCA phono jacks.

The CS8416 digital audio receiver IC provides the system timing necessary to operate the digital-to-analog converter and will accept S/PDIF, and EIAJ-340-compatible audio data. The evaluation board may also be configured to accept external timing and data signals for operation in a user application during system development.

ORDERING INFORMATION

CDB4361

Evaluation Board

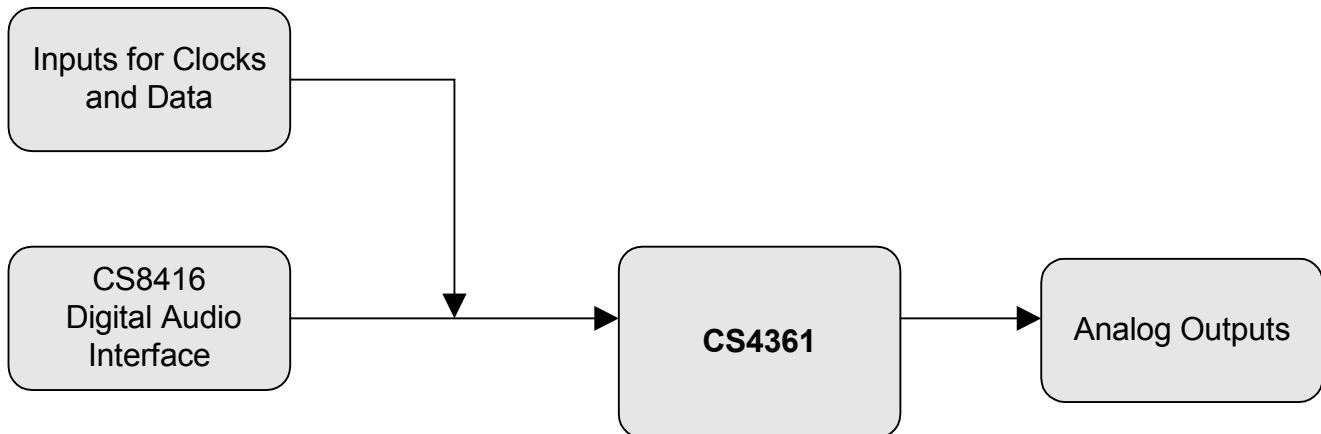


TABLE OF CONTENTS

1. CS4361 DIGITAL-TO-ANALOG CONVERTER	4
2. CS8416 DIGITAL AUDIO RECEIVER	4
3. INPUT FOR CLOCKS AND DATA	4
4. POWER SUPPLY CIRCUITRY	4
5. GROUNDING AND POWER SUPPLY DECOUPLING	4
6. ANALOG OUTPUT FILTERING	5
7. OPTIONAL MUTE CIRCUITRY	5
8. PERFORMANCE PLOTS	7
9. ERRATA	15
10. REVISION HISTORY	26

LIST OF FIGURES

Figure 1.FFT (48 kHz, 0 dB)	7
Figure 2.FFT (48 kHz, -60 dB)	7
Figure 3.FFT (48 kHz, No Input)	7
Figure 4.FFT (48 kHz Out-of-Band, No Input)	7
Figure 5.FFT (48 kHz, -60 dB Wideband)	8
Figure 6.FFT (IMD 48 kHz)	8
Figure 7.48 kHz THD+N vs. Input Freq	8
Figure 8.48 kHz THD+N vs. Level	8
Figure 9.48 kHz, Fade-to-Noise Linearity	8
Figure 10.48 kHz, Frequency Response	8
Figure 11.48 kHz, Crosstalk	9
Figure 12.48 kHz, Impulse Response	9
Figure 13.Dynamic Range 48 kHz	9
Figure 14.FFT (96 kHz, 0 dB)	10
Figure 15.FFT (96 kHz, -60 dB)	10
Figure 16.FFT (96 kHz, No Input)	10
Figure 17.FFT (96 kHz Out-of-Band, No Input)	10
Figure 18.FFT (96 kHz, -60 dB Wideband)	10
Figure 19.FFT (IMD 96 kHz)	10
Figure 20.96 kHz, THD+N vs. Input Freq	11
Figure 21.96 kHz, THD+N vs. Level	11
Figure 22.96 kHz, Fade-to-Noise Linearity	11
Figure 23.96 kHz, Frequency Response	11
Figure 24.96 kHz, Crosstalk	11
Figure 25.96 kHz, Impulse Response	11
Figure 26.Dynamic Range 96 kHz	12
Figure 27.FFT (192 kHz, 0 dB)	12
Figure 28.FFT (192 kHz, -60 dB)	12
Figure 29.FFT (192 kHz, No Input)	13
Figure 30.FFT (192 kHz Out-of-Band, No Input)	13
Figure 31.FFT (192 kHz, -60 dB Wideband)	13
Figure 32.FFT (IMD 192 kHz)	13
Figure 33.192 kHz, THD+N vs. Input Freq	13
Figure 34.192 kHz, THD+N vs. Level	13
Figure 35.192 kHz, Fade-to-Noise Linearity	14
Figure 36.192 kHz, Frequency Response	14
Figure 37.192 kHz, Crosstalk	14
Figure 38.192 kHz, Impulse Response	14
Figure 39.Dynamic Range 192 kHz	15

Figure 40. System Block Diagram and Signal Flow	16
Figure 41. CS4361	17
Figure 42. CS8416 S/PDIF Input and Clock Control	18
Figure 43. PCM Input Header and MUX	19
Figure 44. Passive Outputs	20
Figure 45. Mute Circuitry	21
Figure 46. Power Supply Connections	22
Figure 47. Silkscreen Top	23
Figure 48. Top Side	24
Figure 49. Bottom Side	25

CDB4361 SYSTEM OVERVIEW

The CDB4361 evaluation board is an excellent means of quickly evaluating the CS4361. The CS8416 digital audio interface receiver provides an easy interface to digital audio signal sources including the majority of digital audio test equipment. The evaluation board also allows the user to supply external PCM clocks and data through a PCB header for system development.

The CDB4361 schematic has been partitioned into six schematics shown in [Figures 41](#) through [46](#). Each partitioned schematic is represented in the system diagram shown in [Figure 40](#). Notice that the system diagram also includes the interconnections between the partitioned schematics.

1. CS4361 DIGITAL-to-ANALOG CONVERTER

A description of the CS4361 is included in the CS4361 datasheet.

2. CS8416 DIGITAL AUDIO RECEIVER

The system receives and decodes the standard S/PDIF data format using a CS8416 Digital Audio Receiver, [Figure 42](#). The outputs of the CS8416 include a serial bit clock, serial data, left-right clock, and a 128/256 Fs master clock. The CS8416 data format is selected using switch S3. The operation of the CS8416 and a discussion of the digital audio interface is included in the CS8416 datasheet.

The evaluation board has been designed such that the input can be either optical or coaxial, see [Figure 42](#). However, both inputs cannot be driven simultaneously.

The bottom switch of S3 sets the output MCLK to LRCK ratio of the CS8416. This switch should be set to 256 (closed) for inputs $F_s \leq 96$ kHz and 128 (open) for $F_s \geq 64$ kHz. The 8416 must be manually reset using RESET (S1) when this switch is changed.

3. INPUT FOR CLOCKS AND DATA

The evaluation board has been designed to allow interfacing to external systems via the header J37. Header J37 allows the evaluation board to accept externally generated PCM clocks and data. The schematic for the clock/data input is shown in [Figure 43](#). The top switch of S3 selects the source as either CS8416 (open) or header J37 (closed).

Please see the CS4361 datasheet for more information.

4. POWER SUPPLY CIRCUITRY

Power is supplied to the evaluation board by two binding posts (GND and +5 V), see [Figure 46](#). VL and VA can be jumpered separately to either the on board +3.3 V regulator or the +5 V binding post.

WARNING: Refer to the CS4361 datasheet for maximum allowable voltages levels. Operation outside of this range can cause permanent damage to the device.

5. GROUNDING AND POWER SUPPLY DECOUPLING

As with any high-performance converter, the CS4361 requires careful attention to power supply and grounding arrangements to optimize performance. [Figure 41](#) details the connections to the CS4361 and [Figures 47](#), [48](#), and [49](#) show the component placement and top and bottom layout. The decoupling capacitors are located as close to the CS4361 as possible. Extensive use of ground plane fill in the evaluation board yields large reductions in radiated noise.

6. ANALOG OUTPUT FILTERING

The analog output on the CDB4361 has been designed according to the CS4361 datasheet. This output circuit includes an AC coupling cap and a single pole R and C. An additional load resistance may be added by shunting J23, J24, J38, J39, J42, and J43 to test the CS4361's load-driving capability. See [Figure 44 on page 20](#) for more details.

7. OPTIONAL MUTE CIRCUITRY

The CDB4361 contains the optional, recommended mute circuitry for the CS4361. This circuitry is designed to minimize the potential for clicks and pops. In order for this circuitry to operate properly, a negative supply is required. This supply is provided by U18. See [Figure 45 on page 21](#) for more details.

CONNECTOR	INPUT/OUTPUT	SIGNAL PRESENT
+5 V	Input	+ 5 V power
GND	Input	Ground connection from power supply
S/PDIF INPUT - J1	Input	Digital audio interface input via coax
S/PDIF INPUT - OPT1	Input	Digital audio interface input via optical
PCM INPUT - J37	Input	Input for master, serial, left/right clocks and serial data
AOUT1 - 6	Output	RCA line level analog outputs

Table 1. System Connections

JUMPER / SWITCH	PURPOSE	POSITION	FUNCTION SELECTED
J46	Selects source of voltage for the CS4361 VA supply	+3.3 V *+5 V	Voltage source is a +3.3 V regulator Voltage source is +5 V binding post
J17	Provides contact points to measure VA current	-	Measure voltage across these nodes and divide result by 10 to get current in amps
J45	Selects source of voltage for the CS4361 VL supply	+3.3 V *+5 V	Voltage source is a +3.3 V regulator Voltage source is +5 V binding post
J20	Provides contact points to measure VL current	-	Measure voltage across these nodes and divide result by 10 to get current in Amps
J52	CS4361 Mode Select	*I2S LJ RJ16 RJ24	Sets the mode of the CS4361 by placing a shunt across the desired setting
J63	Global Mute Enable	*shunted open	Connects the CS4361 MUTE pin to the mute circuitry Disconnect for VA power-down current measurements
J53, J54 J55, J56 J57, J58	Mute Enable	*shunted open	When shunted, the mute circuit is active When open, the mute circuit is inactive
J24, J23 J39, J38 J43, J42	AC Load	shunted *open	When shunted, a 3 kΩ AC load is added to the output Leave open for normal operation
S1	Resets CS4361 and CS8416		The CS8416 must be reset if switch S2 is changed
S2	SDIN Control	*All closed All open	Connects SDIN1 to SDIN2 and SDIN3 SDIN1, 2, and 3 are discrete

JUMPER / SWITCH	PURPOSE	POSITION	FUNCTION SELECTED
S3	Sets clock source	<u>1</u> (top) EXT/8416	Sets clock source for CS4361 (*open = CS8416, closed = J37)
	CS8416 Mode 0	2 RX_SF0	Sets CS8416 serial data format (SF1, SF0) 00 = LJ24 *01 = I2S 10 = RJ24
	CS8416 Mode 1	3 RX_SF1	
	Sets MCLK ratio of CS8416	4 (bottom)	Selects 128x (open) or 256x (*closed) MCLK/LRCK ratio output for CS8416

*Default Factory Settings

Table 2. CDB4361 Jumper Settings

8. PERFORMANCE PLOTS

The plots in the following section were achieved using an Audio Precision System 2700 and a randomly chosen production CDB4361. In some cases the performance may be limited by the CDB4361. All measurements were taken at room temp using the standard AP filter options (20 Hz to 22 kHz) with default board settings and nominal datasheet voltages applied unless otherwise noted.

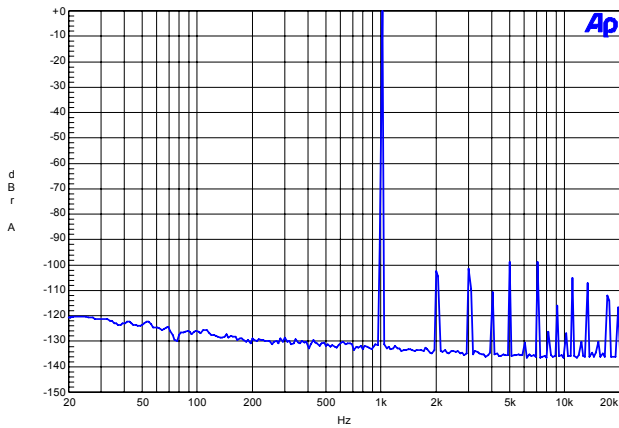


Figure 1. FFT (48 kHz, 0 dB)

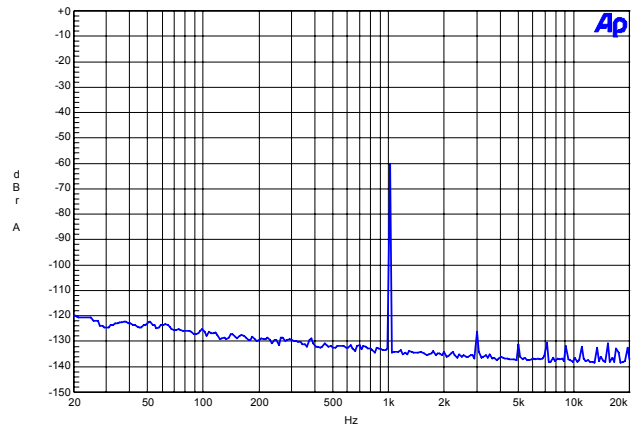


Figure 2. FFT (48 kHz, -60 dB)

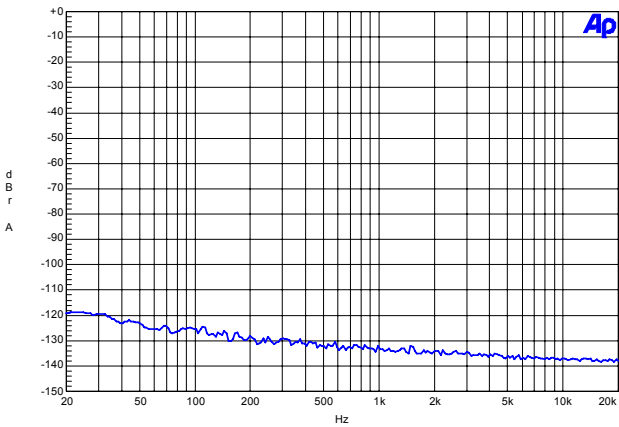


Figure 3. FFT (48 kHz, No Input)

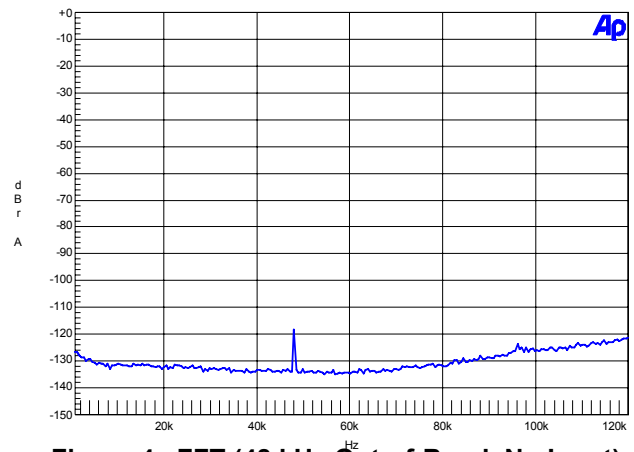
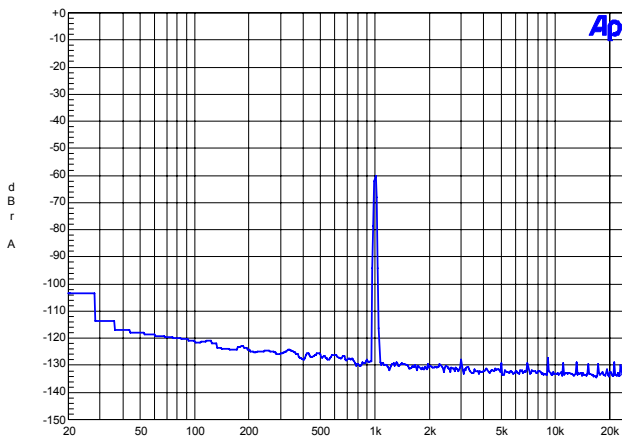
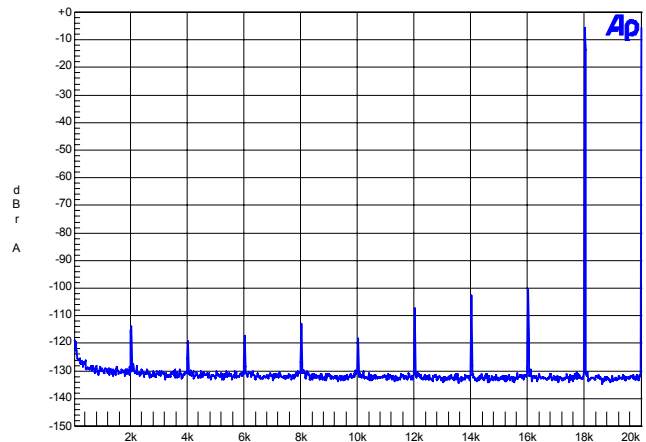
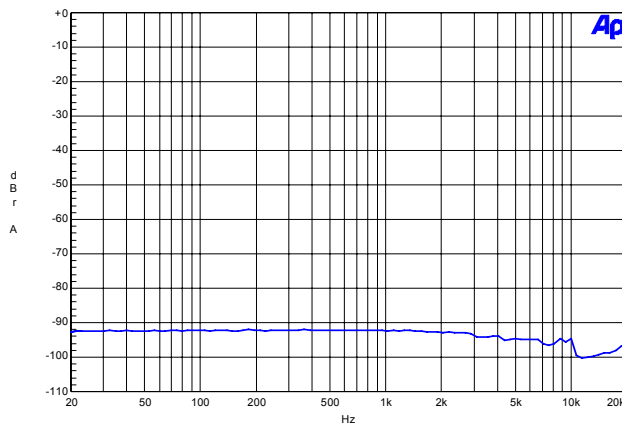
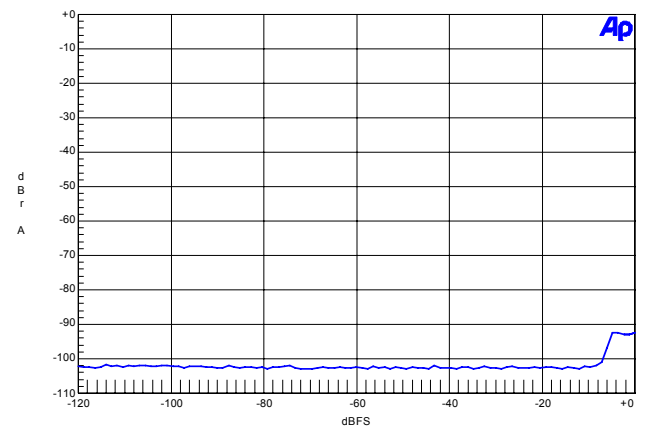
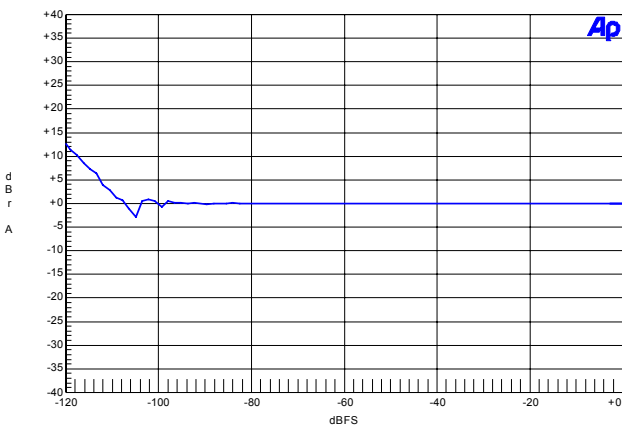
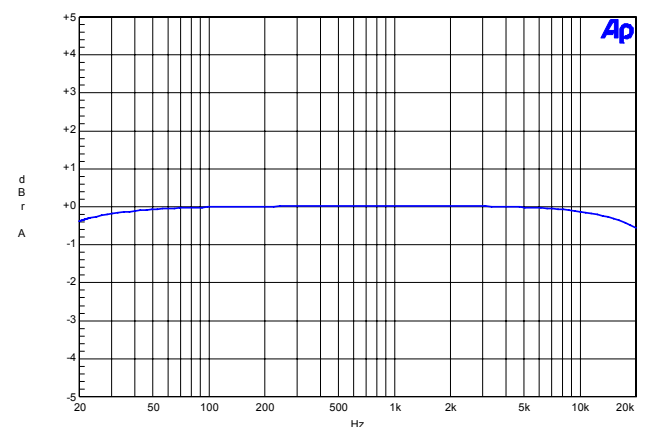
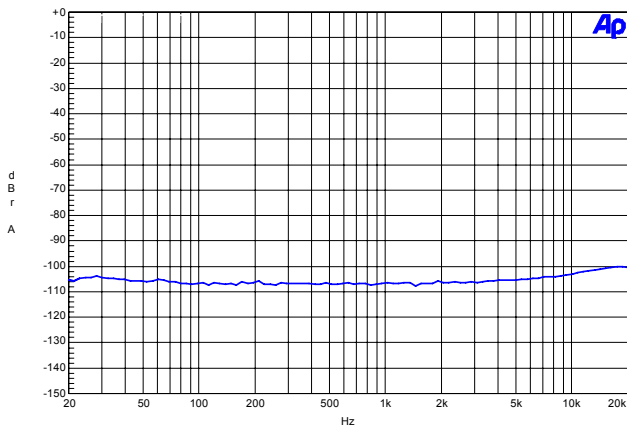
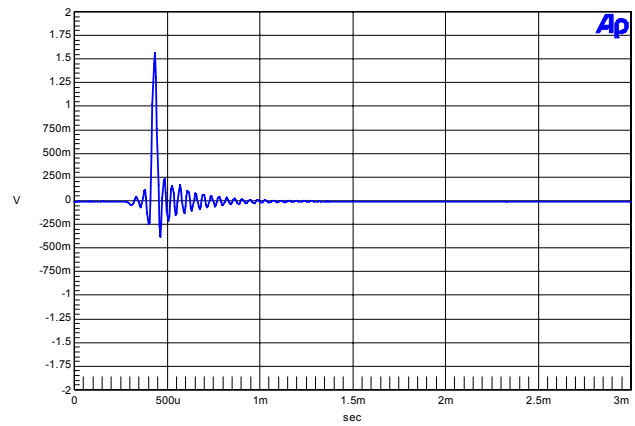
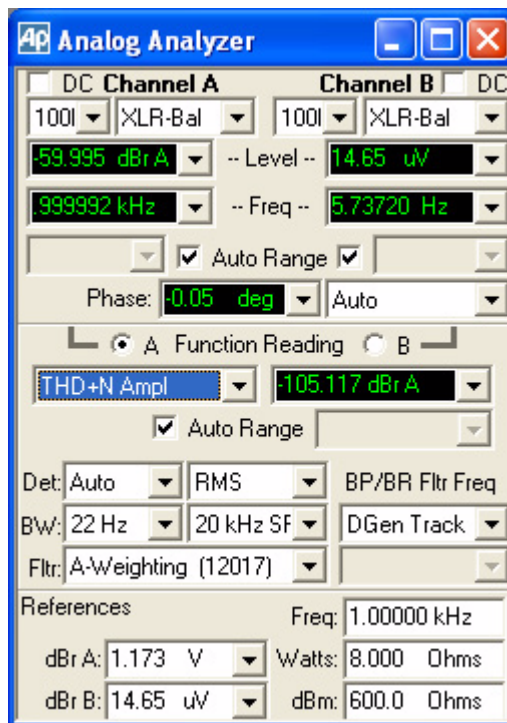
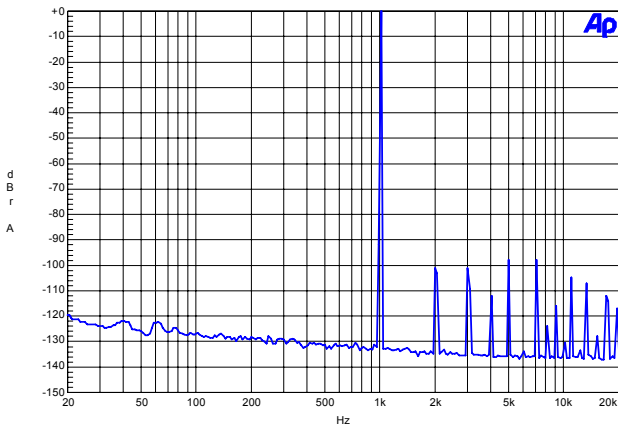
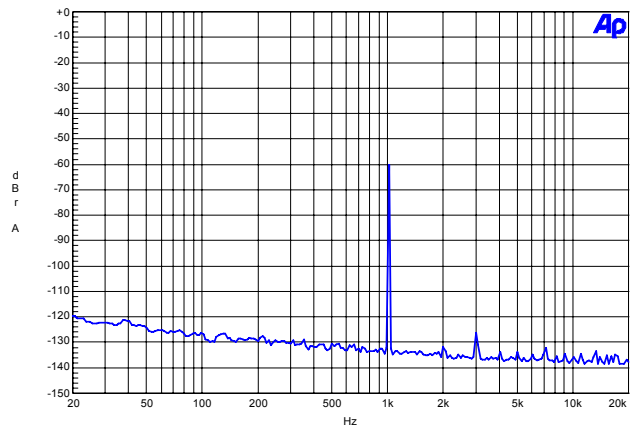
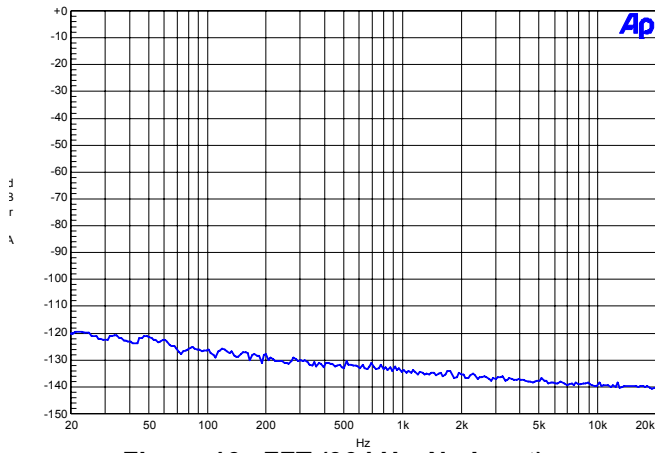
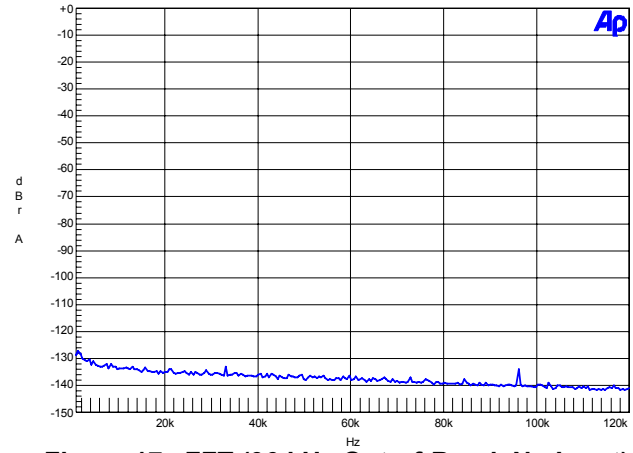
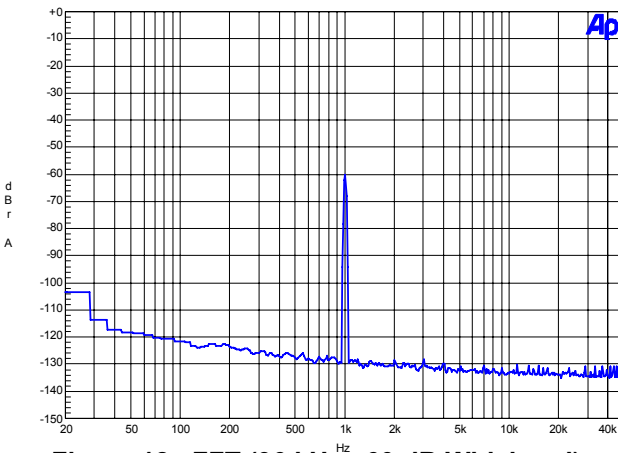
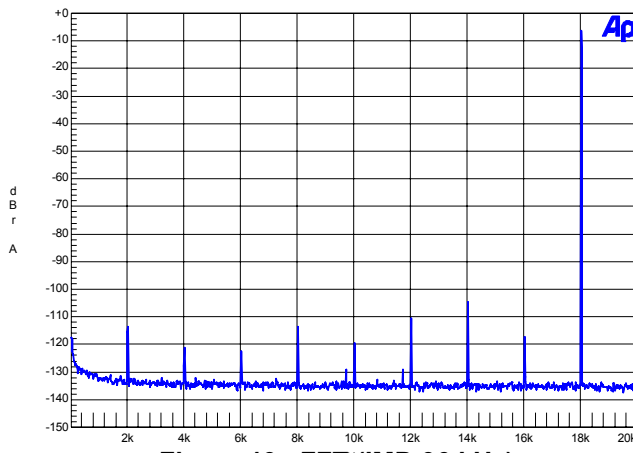
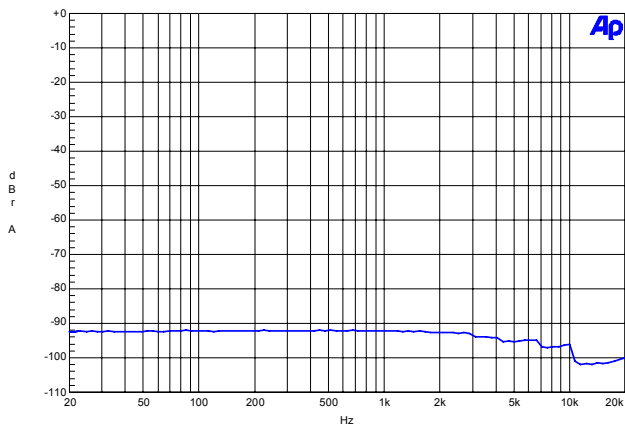
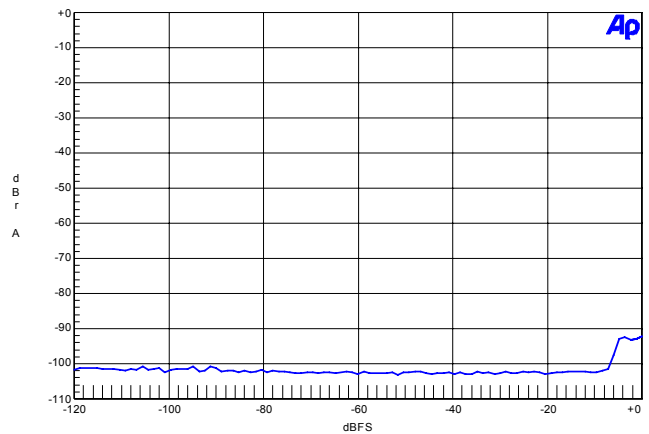
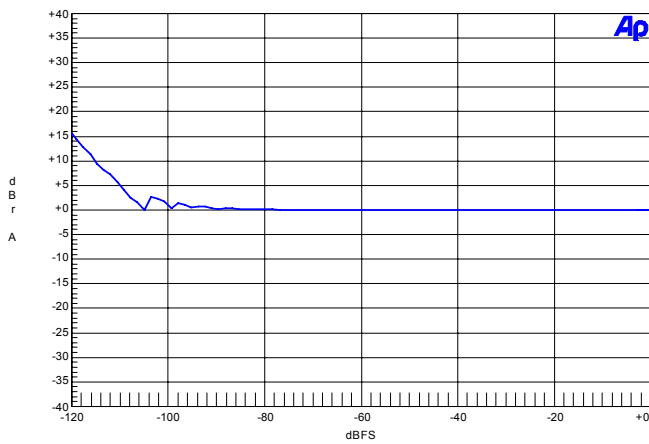
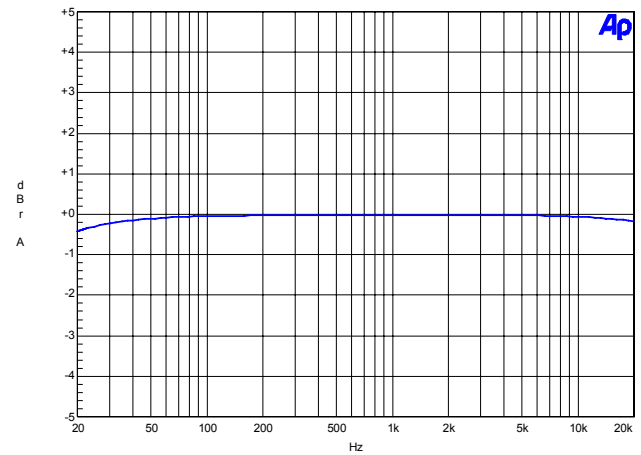
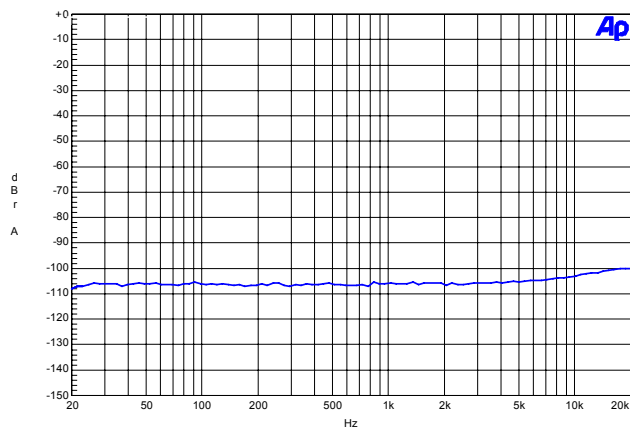
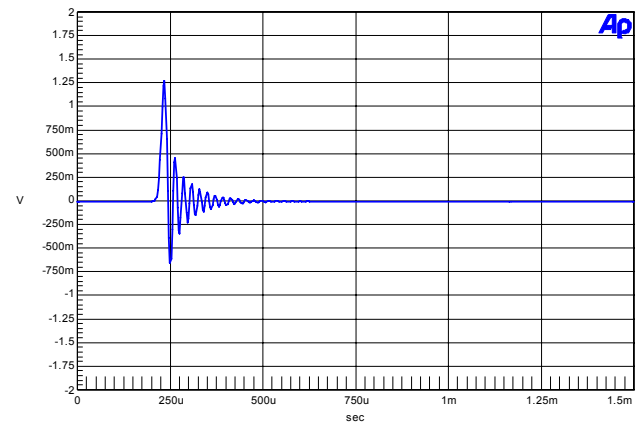


Figure 4. FFT (48 kHz Out-of-Band, No Input)


Figure 5. FFT (48 kHz, -60 dB Wideband)

Figure 6. FFT (IMD 48 kHz)

Figure 7. 48 kHz THD+N vs. Input Freq

Figure 8. 48 kHz THD+N vs. Level

Figure 9. 48 kHz, Fade-to-Noise Linearity

Figure 10. 48 kHz, Frequency Response


Figure 11. 48 kHz, Crosstalk

Figure 12. 48 kHz, Impulse Response

Figure 13. Dynamic Range 48 kHz


Figure 14. FFT (96 kHz, 0 dB)

Figure 15. FFT (96 kHz, -60 dB)

Figure 16. FFT (96 kHz, No Input)

Figure 17. FFT (96 kHz Out-of-Band, No Input)

Figure 18. FFT (96 kHz, -60 dB Wideband)

Figure 19. FFT (IMD 96 kHz)


Figure 20. 96 kHz, THD+N vs. Input Freq

Figure 21. 96 kHz, THD+N vs. Level

Figure 22. 96 kHz, Fade-to-Noise Linearity

Figure 23. 96 kHz, Frequency Response

Figure 24. 96 kHz, Crosstalk

Figure 25. 96 kHz, Impulse Response

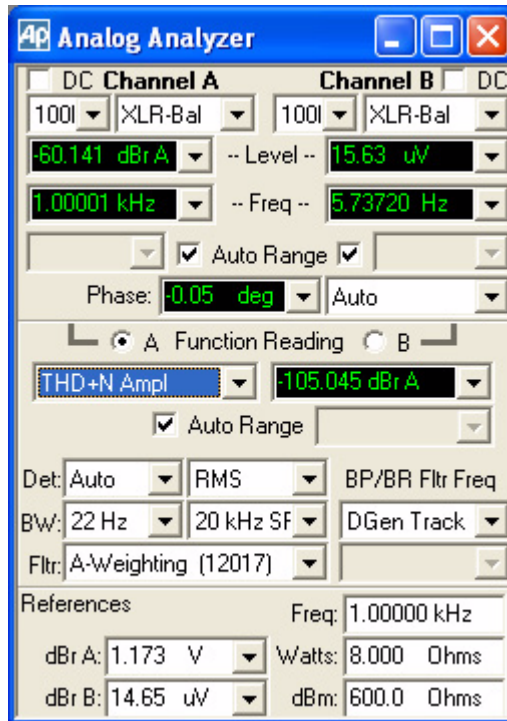


Figure 26. Dynamic Range 96 kHz

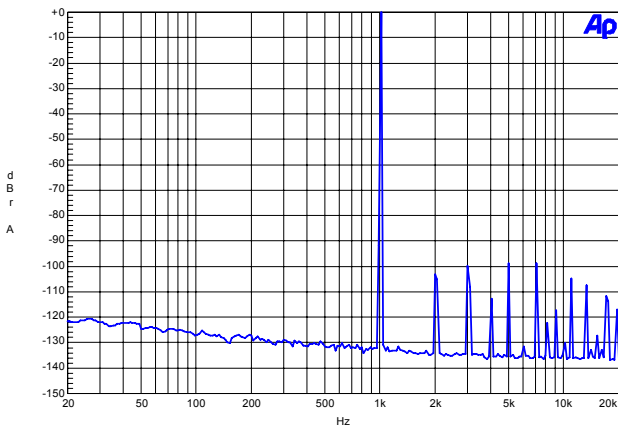


Figure 27. FFT (192 kHz, 0 dB)

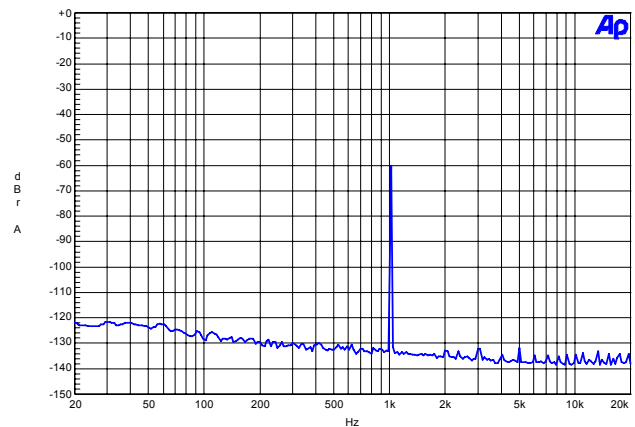
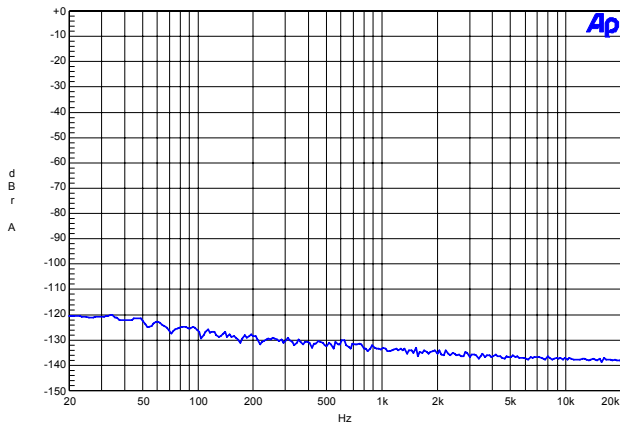
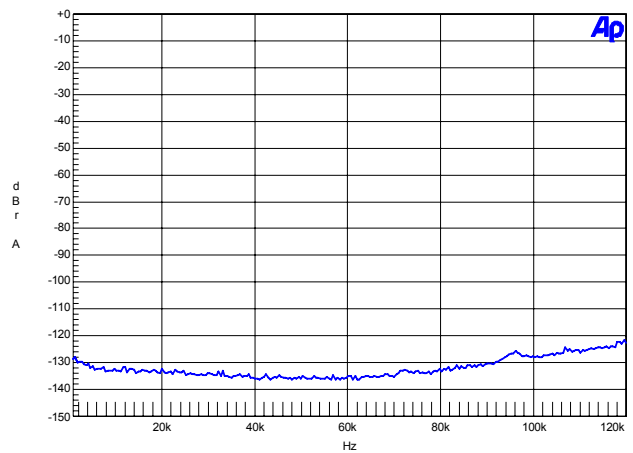
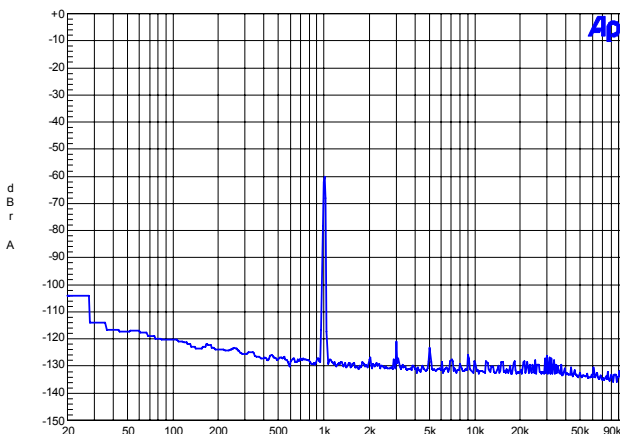
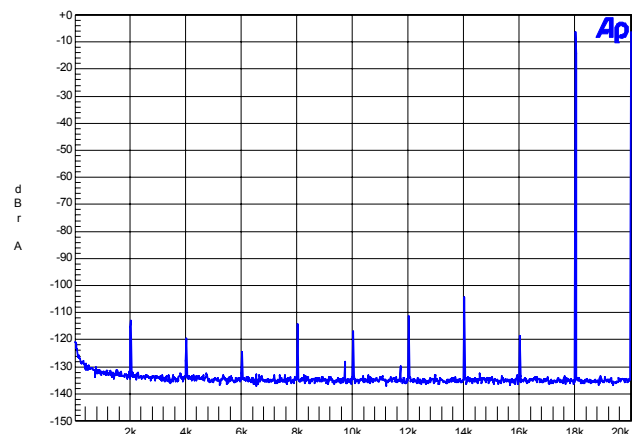
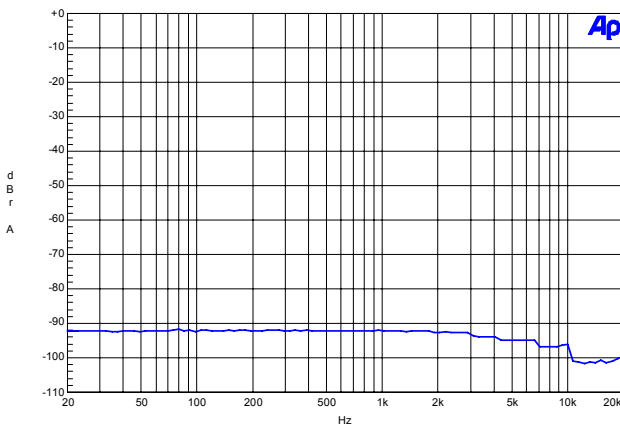
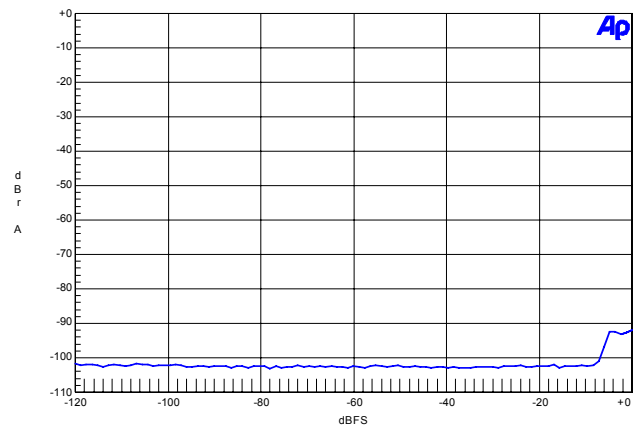


Figure 28. FFT (192 kHz, -60 dB)


Figure 29. FFT (192 kHz, No Input)

Figure 30. FFT (192 kHz Out-of-Band, No Input)

Figure 31. FFT (192 kHz, -60 dB Wideband)

Figure 32. FFT (IMD 192 kHz)

Figure 33. 192 kHz, THD+N vs. Input Freq

Figure 34. 192 kHz, THD+N vs. Level

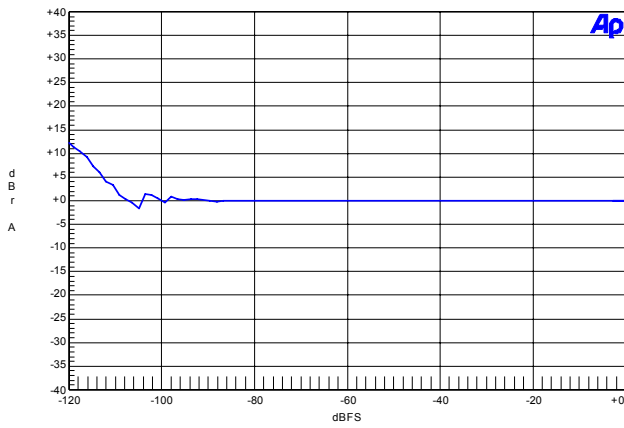


Figure 35. 192 kHz, Fade-to-Noise Linearity

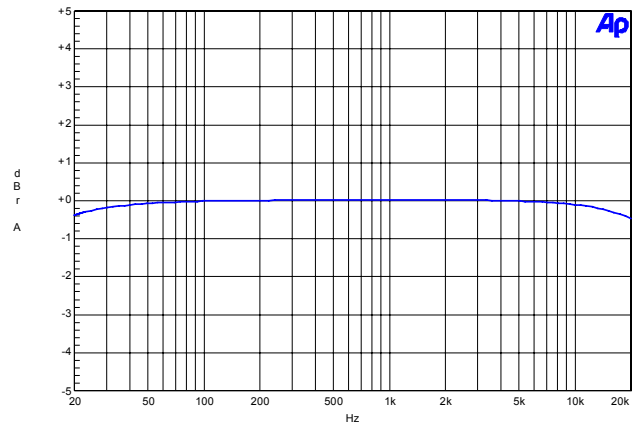


Figure 36. 192 kHz, Frequency Response

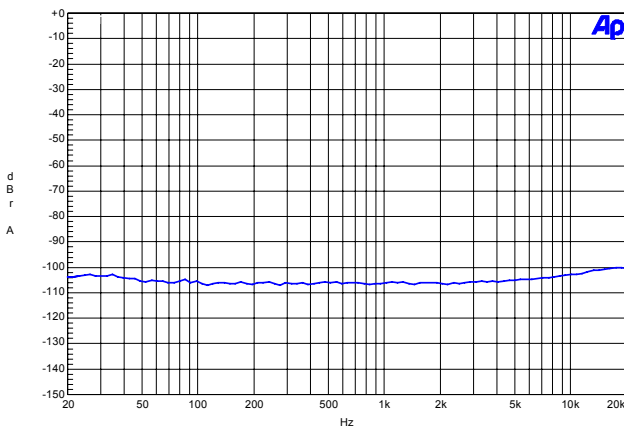


Figure 37. 192 kHz, Crosstalk

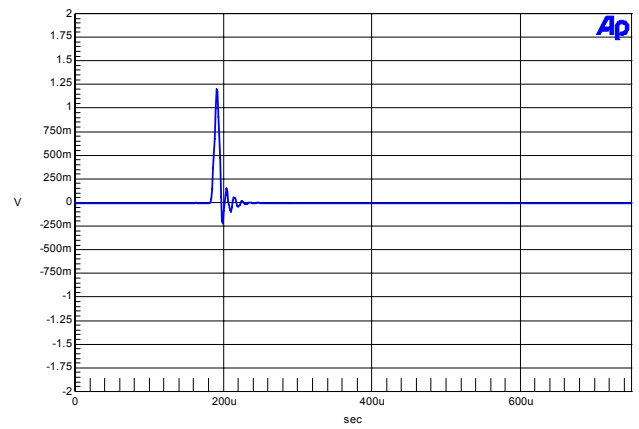


Figure 38. 192 kHz, Impulse Response

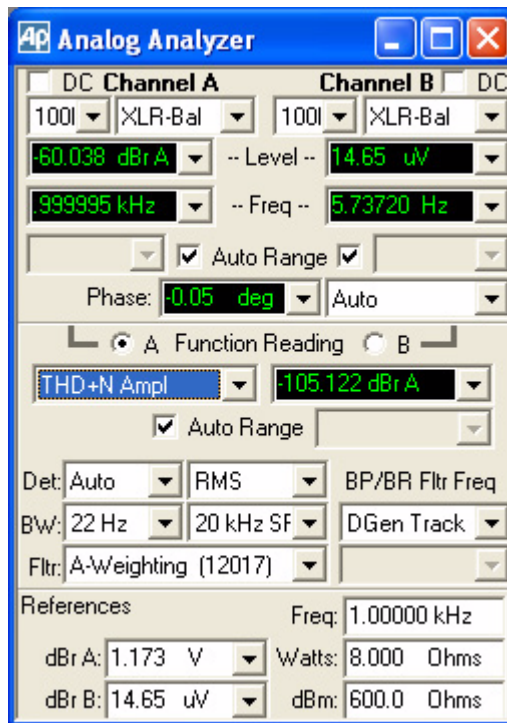


Figure 39. Dynamic Range 192 kHz

9. ERRATA

None at this time.

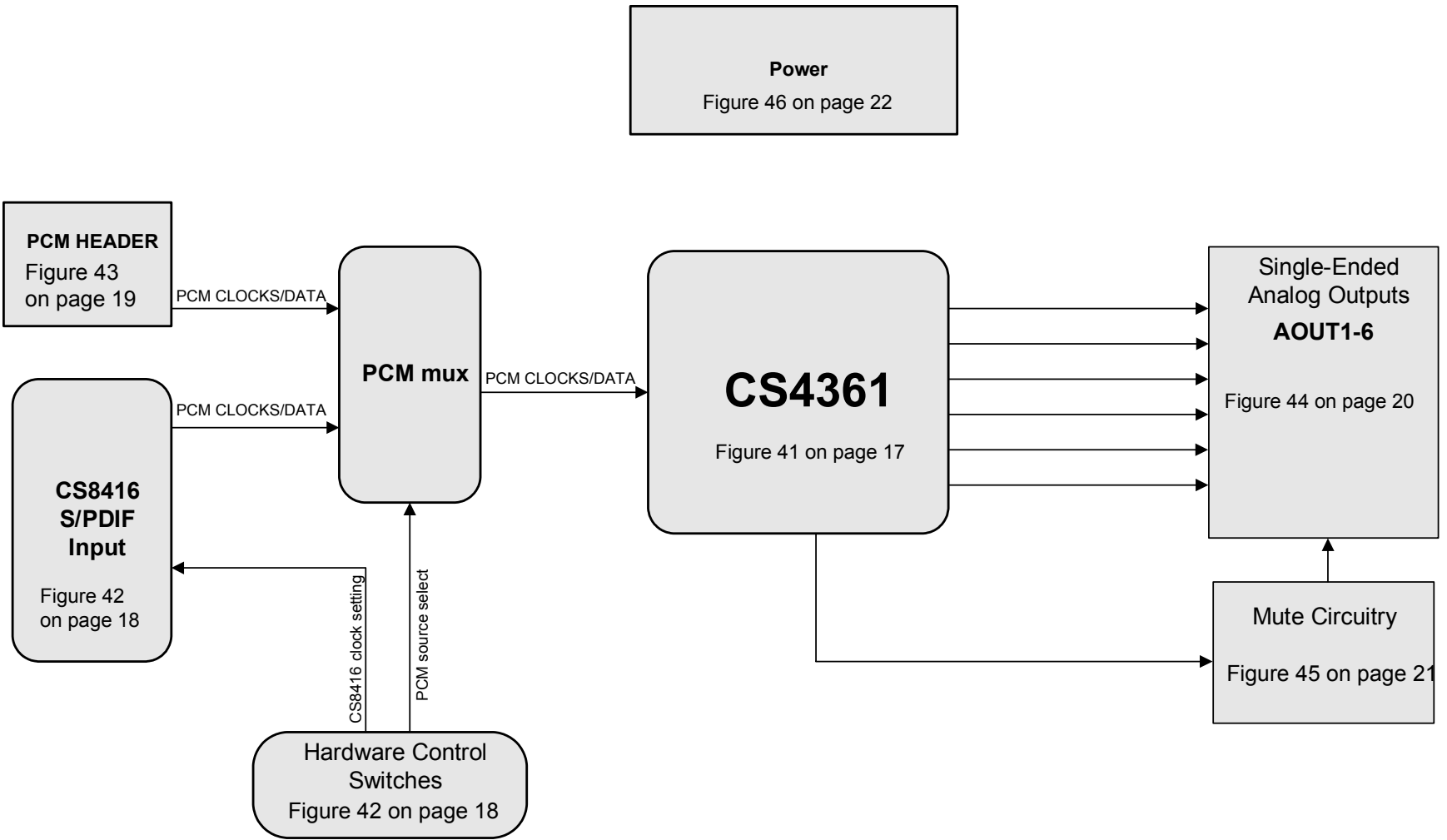


Figure 40. System Block Diagram and Signal Flow



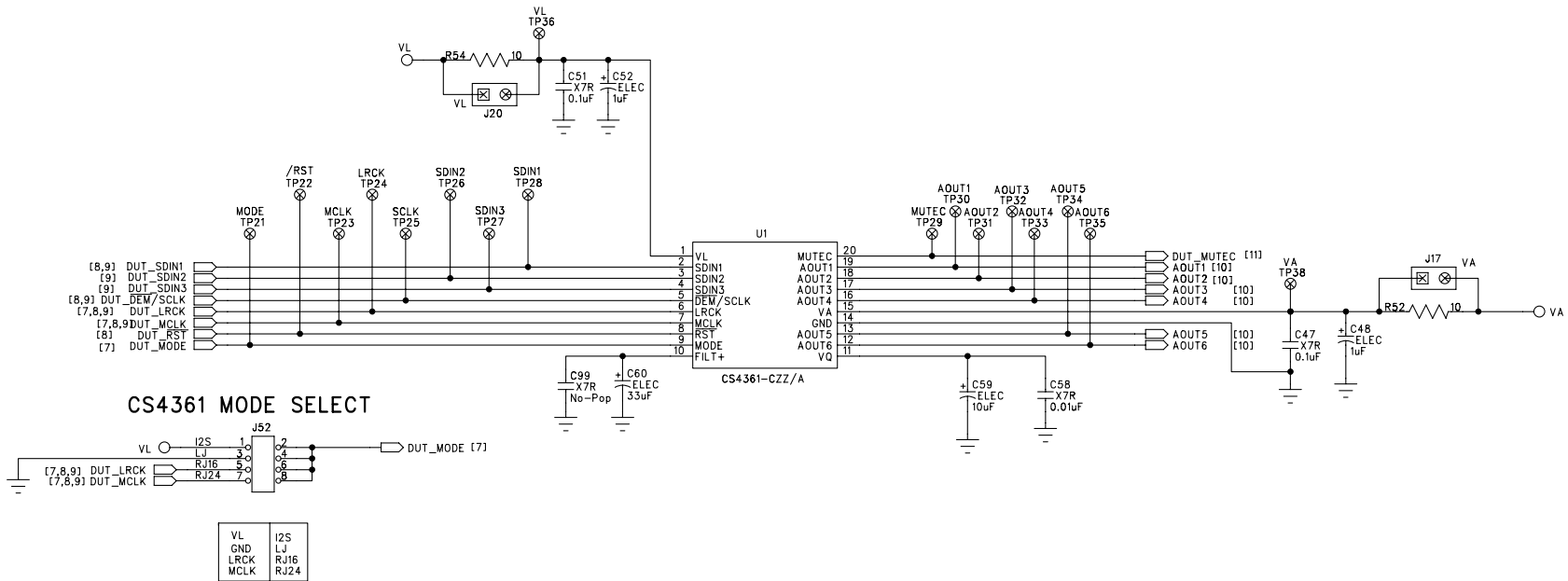


Figure 41. CS4361

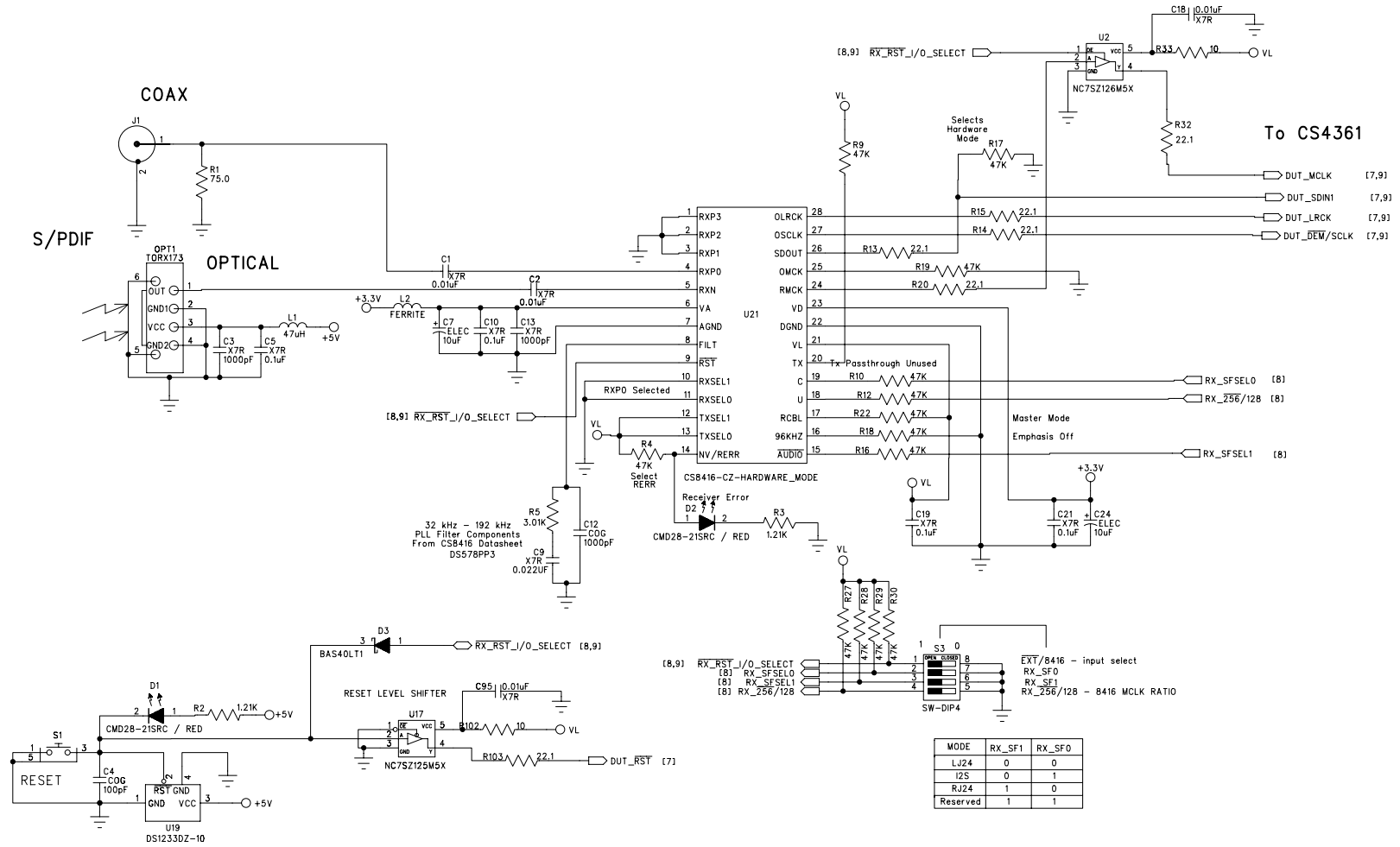


Figure 42. CS8416 S/PDIF Input and Clock Control



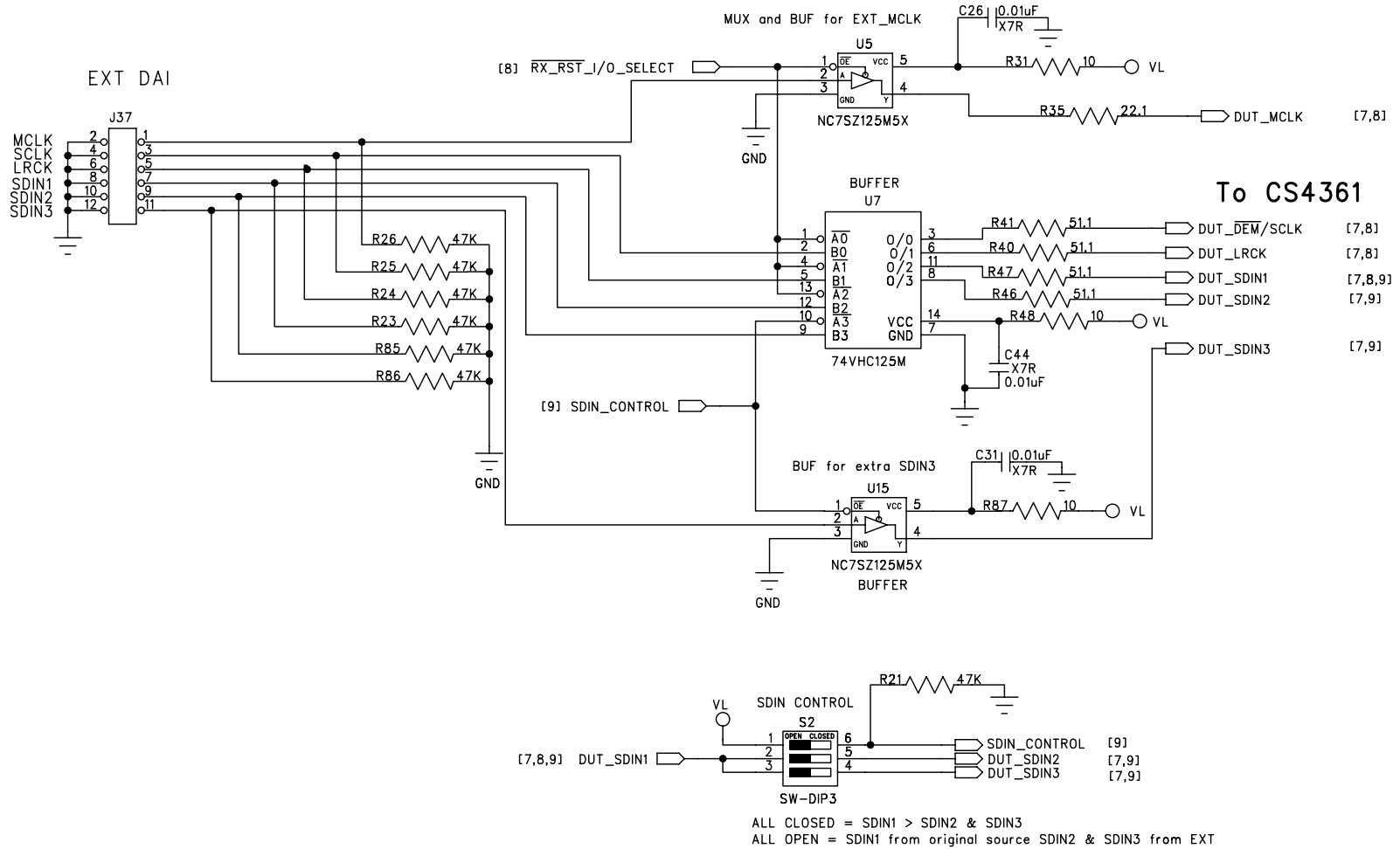


Figure 43. PCM Input Header and MUX



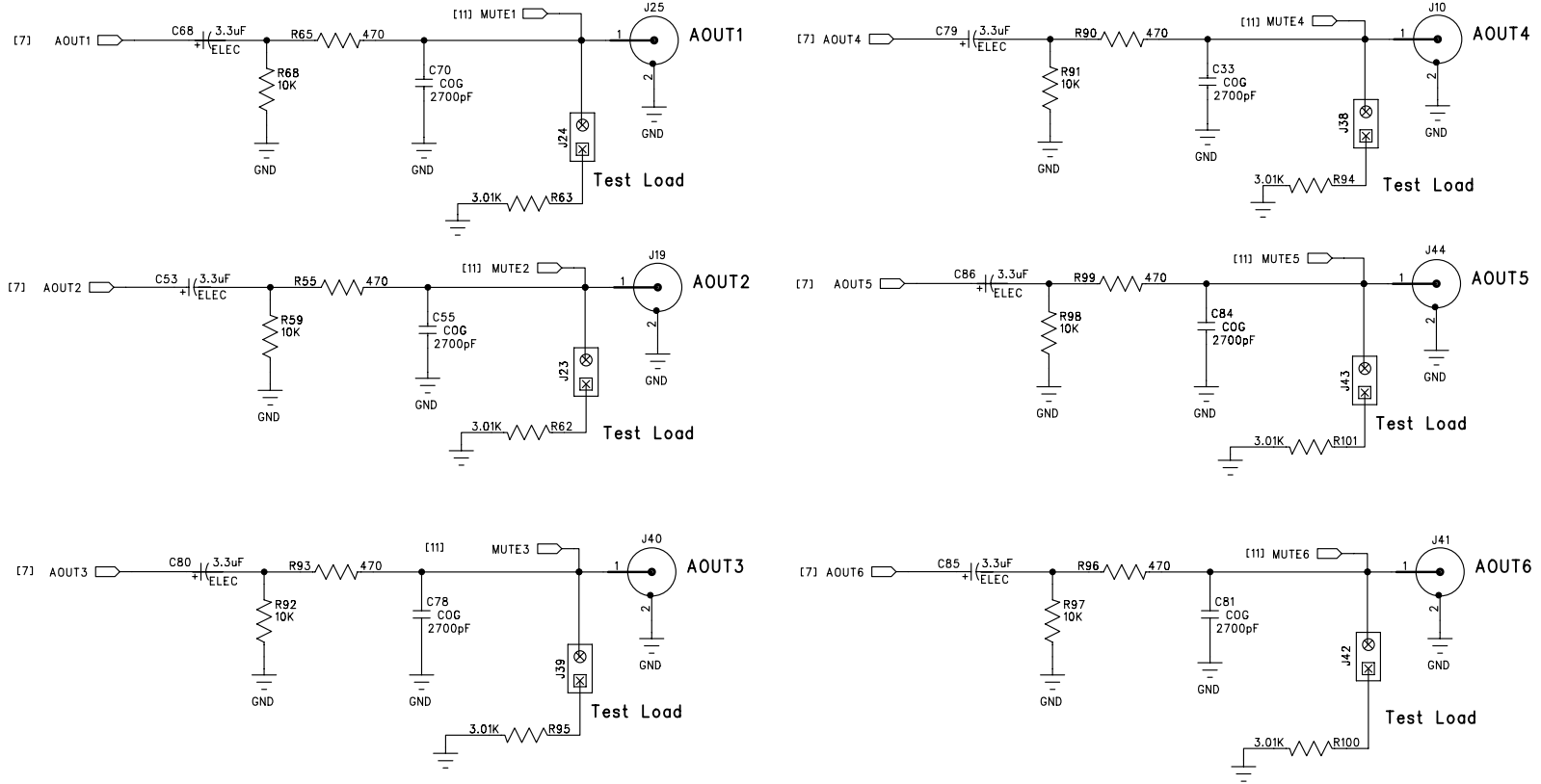
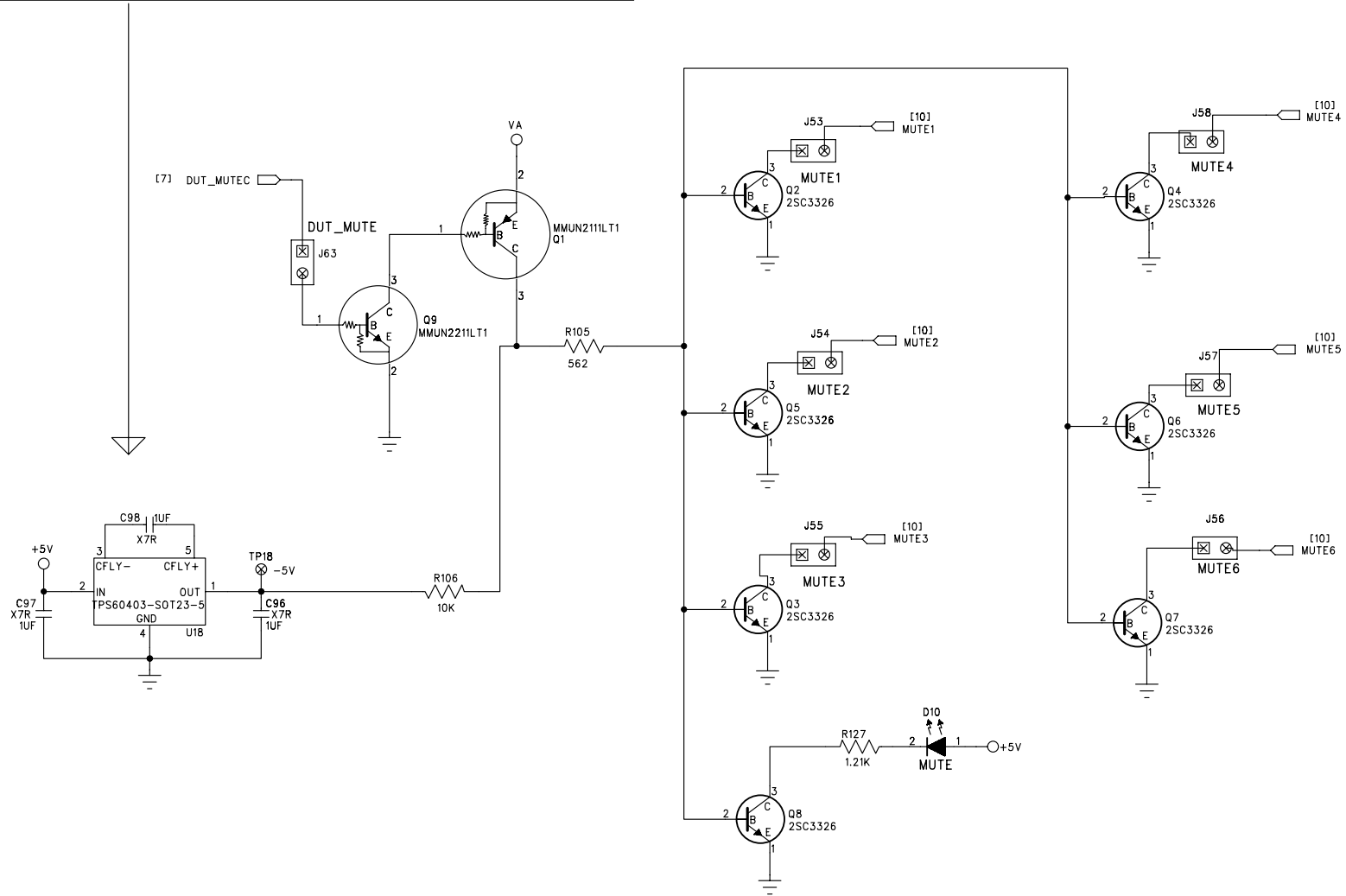


Figure 44. Passive Outputs



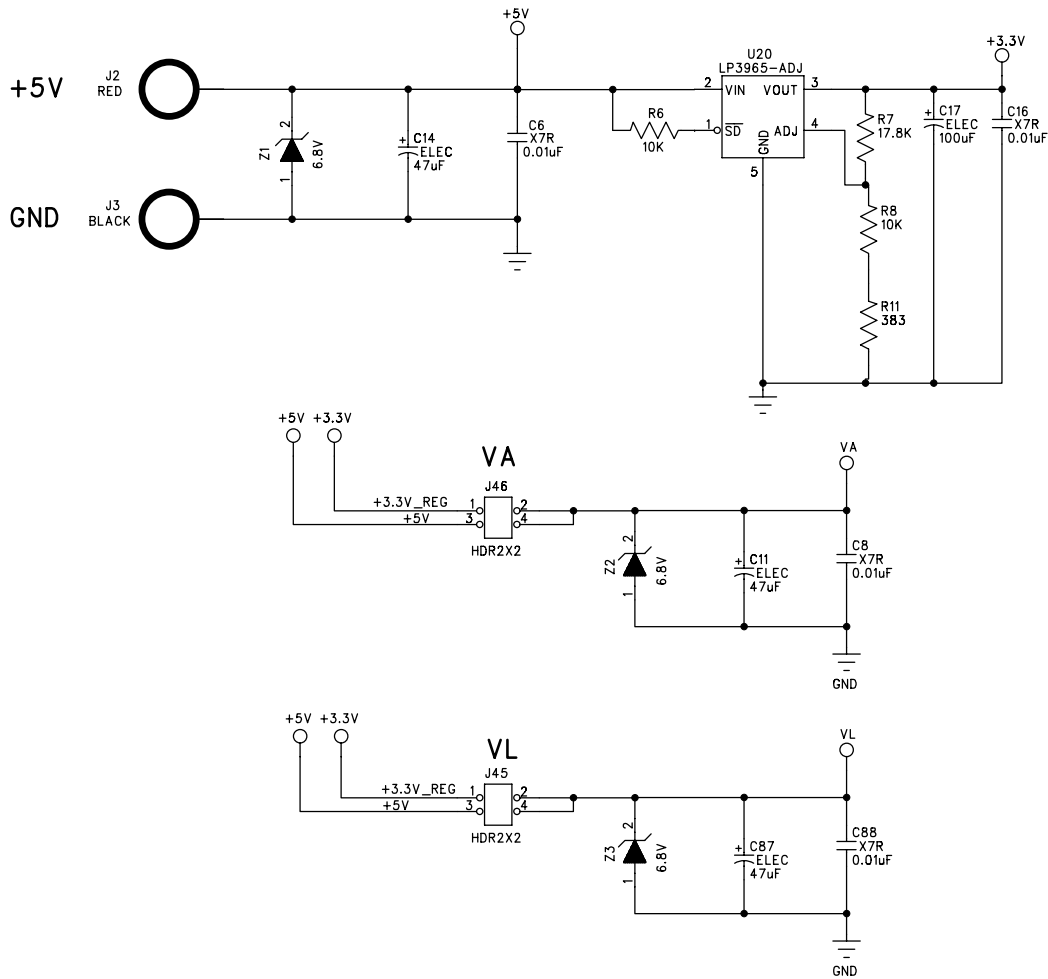
This mute circuit requires a negative power supply for proper operation. A switching inverter is used to derive this supply on this demonstration board and would not be required in a system already containing a bi-polar supply.



Optional Mute Circuit

Figure 45. Mute Circuitry





STANDOFFS

- ⊗ MH1
- ⊗ MH2
- ⊗ MH3
- ⊗ MH4

- ⊗ FD1
- ⊗ FD2
- ⊗ FD3
- ⊗ FD4
- ⊗ FD5

Ground Test Points

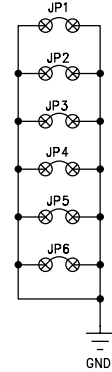
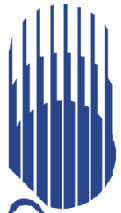
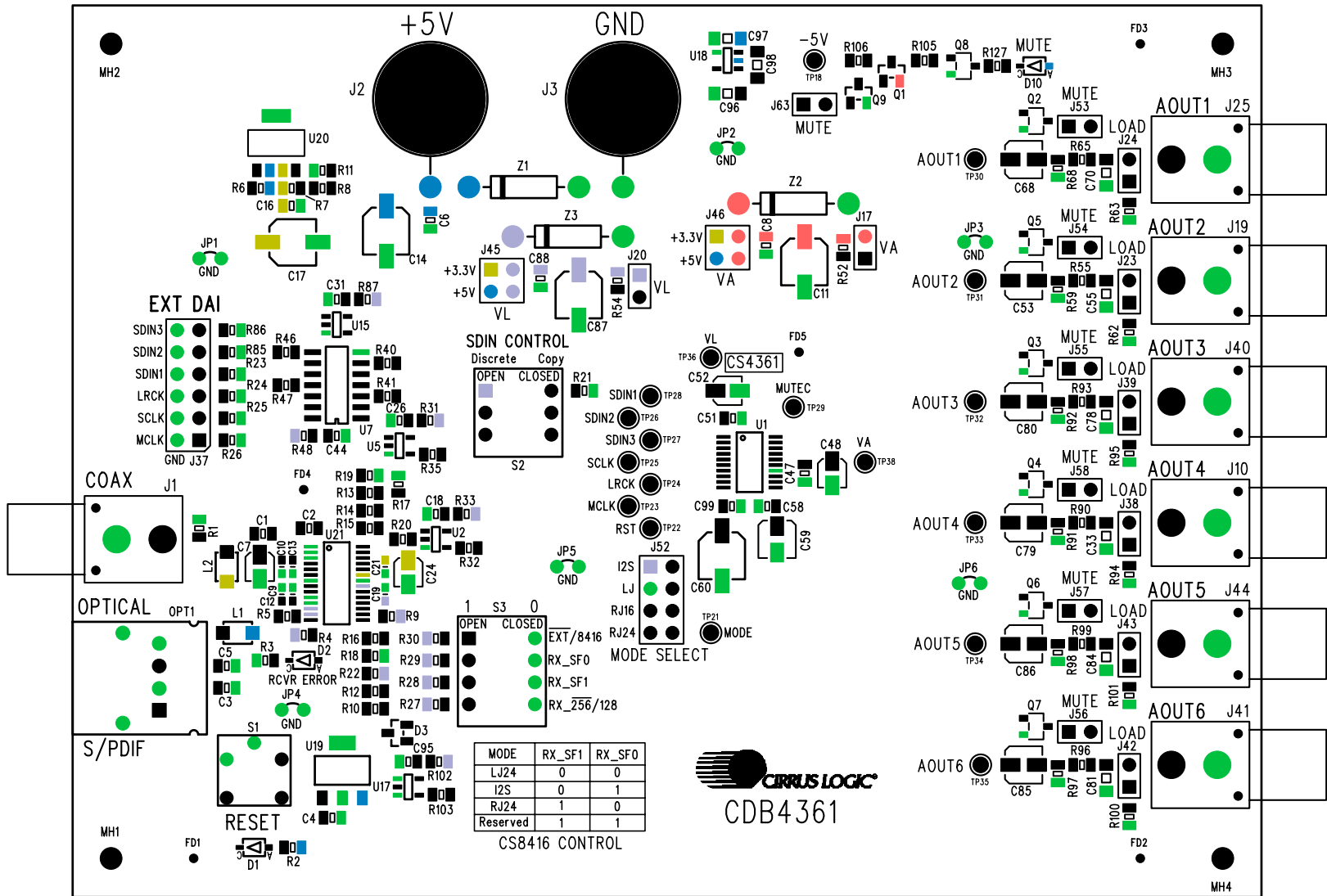


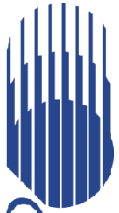
Figure 46. Power Supply Connections





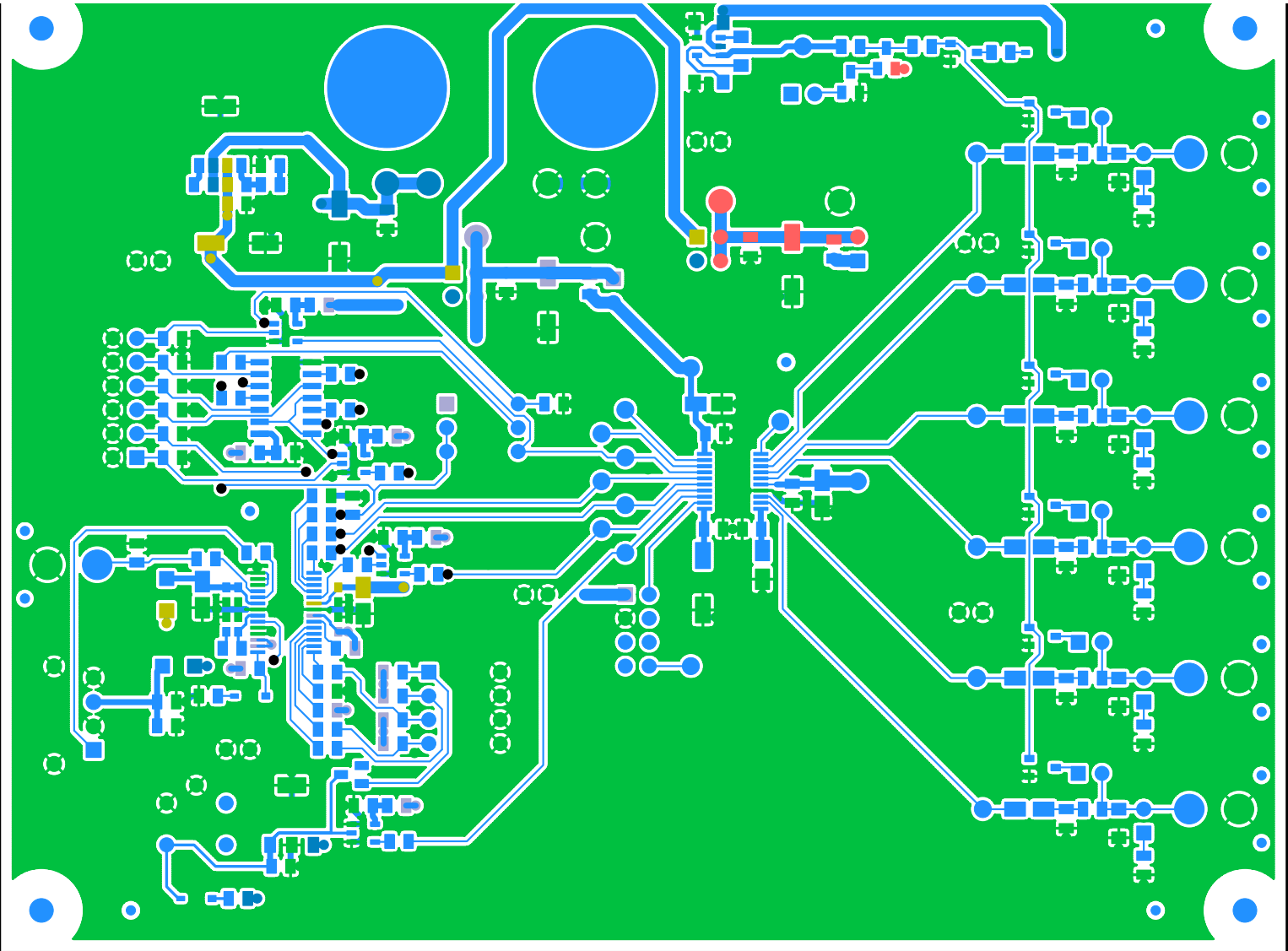
CIRRUS LOGIC CDB4361 PCB 240-00149-01 Rev A

Figure 47. Silkscreen Top



CIRRUS LOGIC®

CDB4361



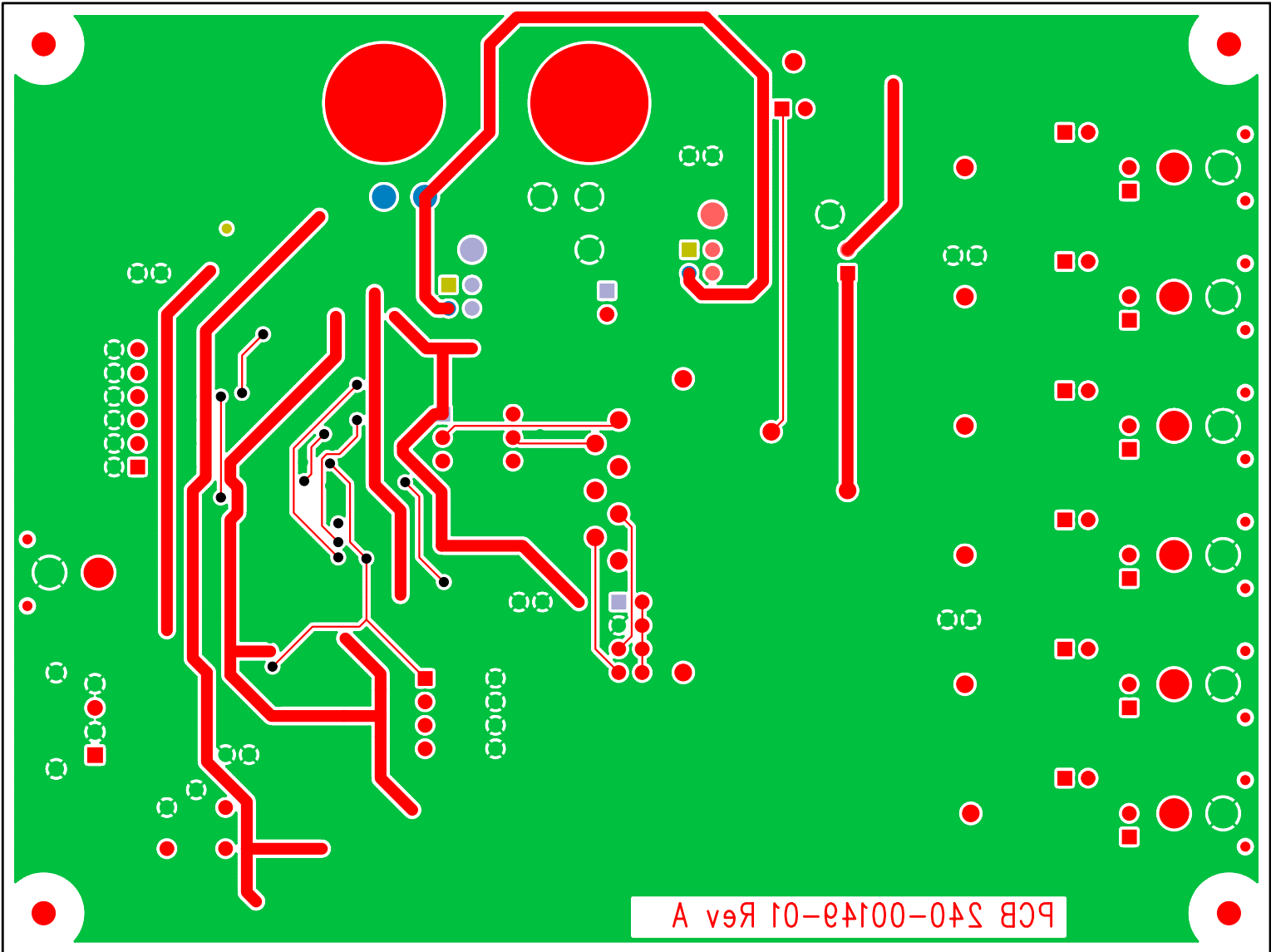
CIRRUS LOGIC CDB4361 PCB 240-00149-01 Rev A

Figure 48. Top Side



CIRUS LOGIC®

CDB4361



CIRRUS LOGIC CDB4361 PCB 240-00149-01 Rev A

Figure 49. Bottom Side

10. REVISION HISTORY

Release	Changes
DB1	Initial Release
DB2	Added Performance Plots

Contacting Cirrus Logic Support

For all product questions and inquiries, contact a Cirrus Logic Sales Representative.

To find the one nearest you, go to www.cirrus.com.

IMPORTANT NOTICE

Cirrus Logic, Inc. and its subsidiaries ("Cirrus") believe that the information contained in this document is accurate and reliable. However, the information is subject to change without notice and is provided "AS IS" without warranty of any kind (express or implied). Customers are advised to obtain the latest version of relevant information to verify, before placing orders, that information being relied on is current and complete. All products are sold subject to the terms and conditions of sale supplied at the time of order acknowledgment, including those pertaining to warranty, indemnification, and limitation of liability. No responsibility is assumed by Cirrus for the use of this information, including use of this information as the basis for manufacture or sale of any items, or for infringement of patents or other rights of third parties. This document is the property of Cirrus and by furnishing this information, Cirrus grants no license, express or implied under any patents, mask work rights, copyrights, trademarks, trade secrets or other intellectual property rights. Cirrus owns the copyrights associated with the information contained herein and gives consent for copies to be made of the information only for use within your organization with respect to Cirrus integrated circuits or other products of Cirrus. This consent does not extend to other copying such as copying for general distribution, advertising or promotional purposes, or for creating any work for resale.

CERTAIN APPLICATIONS USING SEMICONDUCTOR PRODUCTS MAY INVOLVE POTENTIAL RISKS OF DEATH, PERSONAL INJURY, OR SEVERE PROPERTY OR ENVIRONMENTAL DAMAGE ("CRITICAL APPLICATIONS"). CIRRUS PRODUCTS ARE NOT DESIGNED, AUTHORIZED OR WARRANTED FOR USE IN AIRCRAFT SYSTEMS, MILITARY APPLICATIONS, PRODUCTS SURGICALLY IMPLANTED INTO THE BODY, AUTOMOTIVE SAFETY OR SECURITY DEVICES, LIFE SUPPORT PRODUCTS OR OTHER CRITICAL APPLICATIONS. INCLUSION OF CIRRUS PRODUCTS IN SUCH APPLICATIONS IS UNDERSTOOD TO BE FULLY AT THE CUSTOMER'S RISK AND CIRRUS DISCLAIMS AND MAKES NO WARRANTY, EXPRESS, STATUTORY OR IMPLIED, INCLUDING THE IMPLIED WARRANTIES OF MERCHANTABILITY AND FITNESS FOR PARTICULAR PURPOSE, WITH REGARD TO ANY CIRRUS PRODUCT THAT IS USED IN SUCH A MANNER. IF THE CUSTOMER OR CUSTOMER'S CUSTOMER USES OR PERMITS THE USE OF CIRRUS PRODUCTS IN CRITICAL APPLICATIONS, CUSTOMER AGREES, BY SUCH USE, TO FULLY INDEMNIFY CIRRUS, ITS OFFICERS, DIRECTORS, EMPLOYEES, DISTRIBUTORS AND OTHER AGENTS FROM ANY AND ALL LIABILITY, INCLUDING ATTORNEYS' FEES AND COSTS, THAT MAY RESULT FROM OR ARISE IN CONNECTION WITH THESE USES.

Cirrus Logic, Cirrus, and the Cirrus Logic logo designs are trademarks of Cirrus Logic, Inc. All other brand and product names in this document may be trademarks or service marks of their respective owners.

AMEYA360

Components Supply Platform

Authorized Distribution Brand :



Website :

Welcome to visit www.ameya360.com

Contact Us :

➤ Address :

401 Building No.5, JiuGe Business Center, Lane 2301, Yishan Rd
Minhang District, Shanghai , China

➤ Sales :

Direct +86 (21) 6401-6692

Email amall@ameya360.com

QQ 800077892

Skype [ameyasales1](#) [ameyasales2](#)

➤ Customer Service :

Email service@ameya360.com

➤ Partnership :

Tel +86 (21) 64016692-8333

Email mkt@ameya360.com