

MICRO SWITCH

A DIVISION OF MINNEAPOLIS-HONEYWELL REGULATOR COMPANY

FREDPORT, MINNESOTA

FED. MFR. CODE 91929

ACTUATOR - SWITCH

CATALOG LISTING

AD5721

(M)AD5721
ISSUE 4

AD5721
M
DRAWING NUMBER
8
ISSUE
X8

REVISIONS

A	CO 8520	R. L. Z.	28 SEPT. 56
B	0021727	M B F	26 AUG 66
C	0044130	S J S	25 APR 78
D	CO79303	DAW	7 MAR 95

REPLACES

RELEASE NO.

CHECK 50 OCT. 56

CHECK 1 OCT. 56

CHECK 11 OCT. 56

CHECK 28 SEPT. 56

OPERATING POSITION ADJUSTMENT TAB

.375 REF

(2) 6-32 NC HEX. NUT

(2) LOCKWASHER

.75

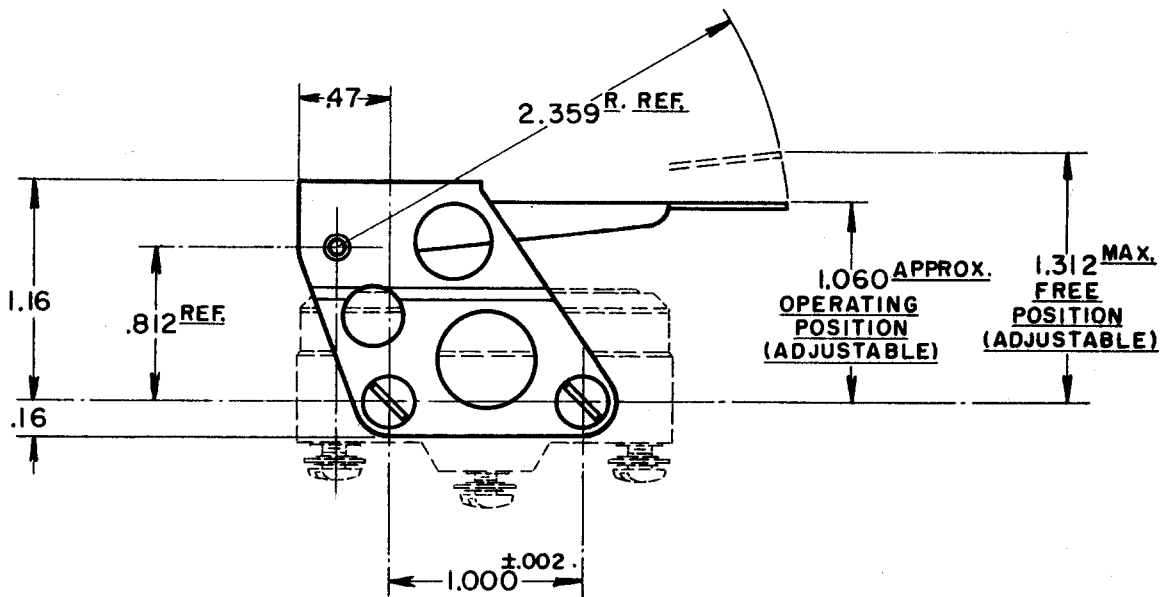
.31

FREE POSITION ADJUSTMENT TAB

(2) 6-32 NC x 1.125^{REF} ROUND HEAD MACHINE SCREW

.359 REF

.92



NOTE-

1- SCREWS, NUTS, AND LOCKWASHERS FURNISHED UNASSEMBLED.

THIS DRAWING COVERS A PROPRIETARY ITEM AND IS THE PROPERTY OF MICRO SWITCH, A DIVISION OF HONEYWELL. THIS DRAWING IS NOT TO BE COPIED OR USED WITHOUT THE APPROVAL OF MICRO SWITCH.

CHARACTERISTICS

ELECTRICAL DATA

SCALE - FULL

OVERTRAVEL ----- .531 APPROX.

CONTACT ARRANGEMENT

BREAK DISTANCE

DO NOT SCALE PRINT

UNLESS OTHERWISE SPECIFIED
DIMENSIONS ARE IN INCHES
TOLERANCES ARE:
ONE PLACE (.0) ±.030
TWO PLACE (.00) ±.015
THREE PLACE (.000) ±.005
ANGLES ±

WEIGHT .064 LB.

AMEYA360

Components Supply Platform

Authorized Distribution Brand :



Website :

Welcome to visit www.ameya360.com

Contact Us :

➤ Address :

401 Building No.5, JiuGe Business Center, Lane 2301, Yishan Rd
Minhang District, Shanghai , China

➤ Sales :

Direct +86 (21) 6401-6692

Email amall@ameya360.com

QQ 800077892

Skype [ameyasales1](#) [ameyasales2](#)

➤ Customer Service :

Email service@ameya360.com

➤ Partnership :

Tel +86 (21) 64016692-8333

Email mkt@ameya360.com