

PART NAME

NEMA 4X ENCLOSURE

PART No.

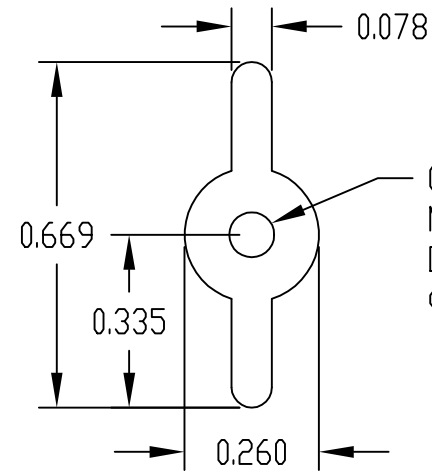
PN-1330, PN-1330-C AND PN-1330-DG

REV. DATE

11-17-08

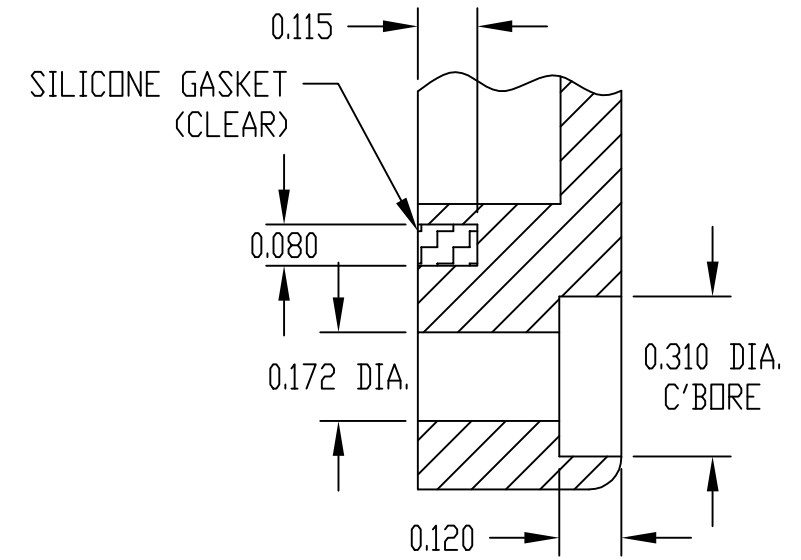
INDUSTRY STANDARDS:

- POLYCARBONATE (LIGHT GRAY AND CLEAR)
- UL94-HB FLAMMABILITY RATING (UL FILE #E41613)
- UV STABILIZED
- SERVICE TEMPERATURE RANGE: -40°C TO +120°C
- ABS (DARK GRAY)
- UL94-HB FLAMMABILITY RATING (UL FILE #E56070)
- SERVICE TEMPERATURE RANGE: -40°C TO +80°C

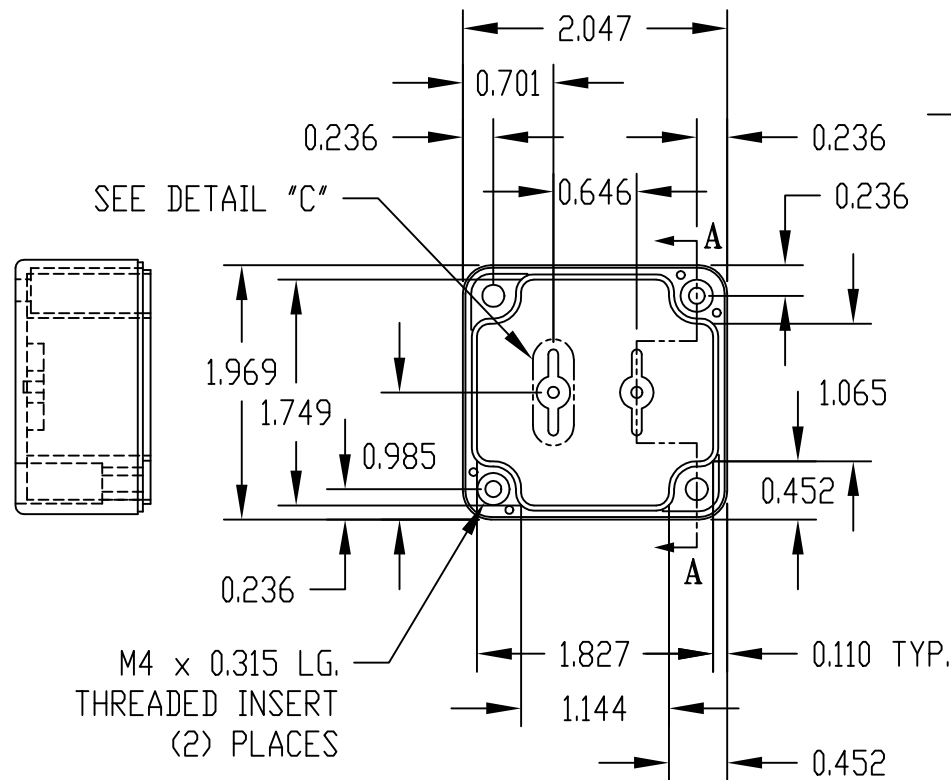


0.090 DIA. HOLE x 0.156 DEEP
MOUNTING BOSSES USE EITHER M2.5 METRIC
OR #4 STD. SHEET METAL SCREWS x 0.188 LG.
(NOT SUPPLIED)

DETAIL "C"
(2 PLACES)

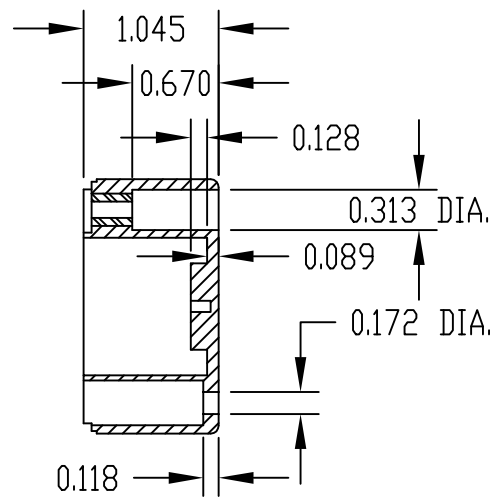


DETAIL "D"

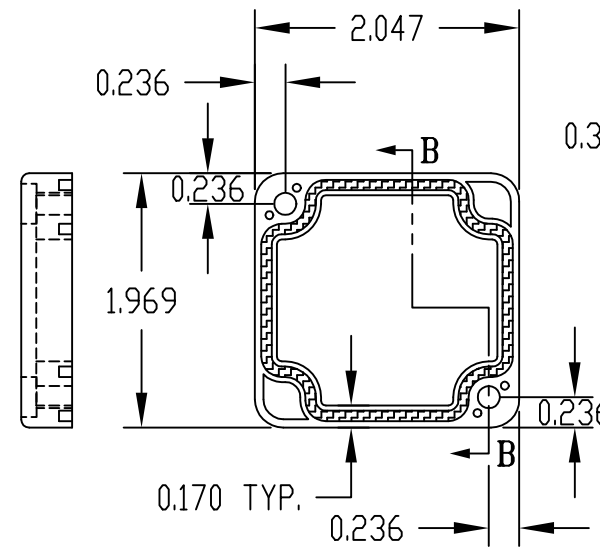


M4 x 0.315 LG. THREADED INSERT (2) PLACES

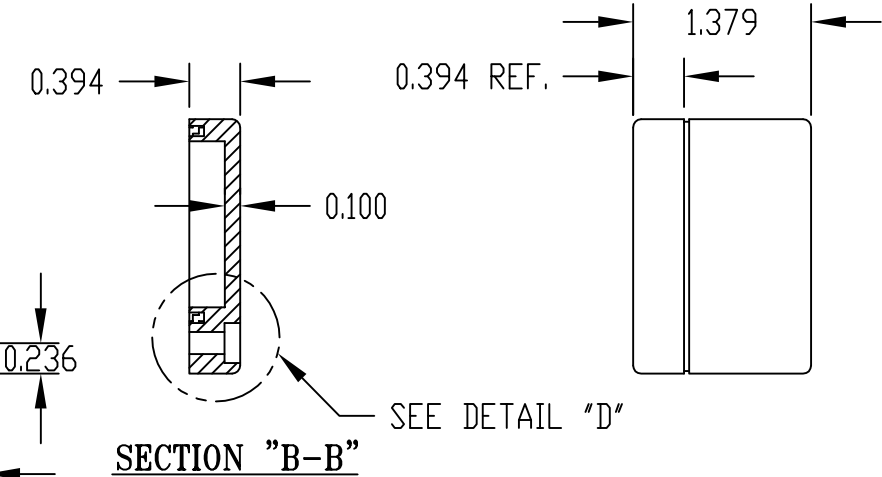
BODY



SECTION "A-A"



COVER



SECTION "B-B"

SEE DETAIL "D"

NOTE: ALL DIMENSIONS HAVE ±0.015 TOLERANCE UNLESS OTHERWISE SPECIFIED.

| PART NUMBER | MATERIAL | | FINISH | | HARDWARE KIT |
|-------------|-----------------|-------|------------|-------|---|
| | BODY | COVER | BODY | COVER | |
| PN-1330 | POLYCARBONATE | | LIGHT GRAY | | KIT CONTAINS (2) M4 x 20mm (0.787") LG. SCREWS FOR ASSEMBLY |
| PN-1330-C | POLYCARBONATE | | LIGHT GRAY | CLEAR | |
| PN-1330-DG | HIGH-IMPACT ABS | | DARK GRAY | | |

Authorized Distribution Brand :



Website :

Welcome to visit www.ameya360.com

Contact Us :

➤ Address :

401 Building No.5, JiuGe Business Center, Lane 2301, Yishan Rd
Minhang District, Shanghai , China

➤ Sales :

Direct +86 (21) 6401-6692

Email amall@ameya360.com

QQ 800077892

Skype ameyasales1 ameyasales2

➤ Customer Service :

Email service@ameya360.com

➤ Partnership :

Tel +86 (21) 64016692-8333

Email mkt@ameya360.com