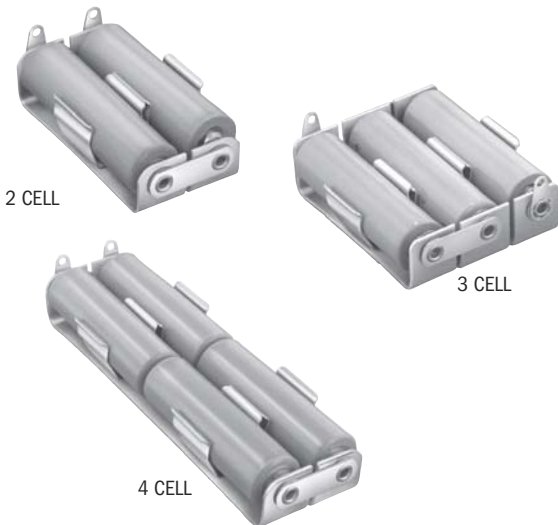


# ALUMINUM HOLDERS CONNECTED IN SERIES

## ELIMINATES WIRING · LABOR SAVING

Features pre-connected jumper strap insulated from the Aluminum base. Batteries held in series circuit without need of additional wiring.

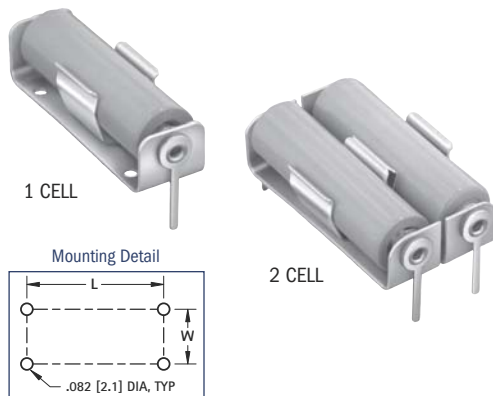


| CAT. NO.         | HOLDS NO. OF CELLS | BATTERY CROSS REFERENCE  |           |  |
|------------------|--------------------|--|-----------|--|
|                  |                    | IEC  | ANSI/NEDA |  |
| <b>"AA" CELL</b> |                    | ( BATTERY .531 (13.4) O.D. × 1.906 (48.4) L )<br>SIZE .565 (14.5) 1.988 (50.5)   |           |  |
| 146              | 2                  | LR6  | 15A       | Energizer, Duracell, Panasonic, Sanyo, Varta, Rayovac, Tadiran |
| 147              | 3                  |  |           |  |
| 148              | 4                  |  |           |  |
| <b>"C" CELL</b>  |                    | ( BATTERY .875 (22.2) O.D. × 1.875 (47.6) L )<br>SIZE 1.125 (28.6) 1.969 (50.0)  |           |  |
| 149              | 2                  | LR14   | 14A       | Energizer, Duracell, Panasonic, Sanyo, Varta, Rayovac, Tadiran |
| 150              | 3                  |  |           |  |
| 151              | 4                  |  |           |  |
| <b>"D" CELL</b>  |                    | ( BATTERY 1.187 (30.1) O.D. × 2.312 (58.7) L )<br>SIZE 1.375 (34.9) 2.412 (61.3) |           |  |
| 152              | 2                  | LR20   | 13A       | Energizer, Duracell, Panasonic, Sanyo, Varta, Rayovac, Tadiran |
| 153              | 3                  |  |           |  |
| 158              | 4                  |  |           |  |

## ALUMINUM HOLDERS WITH PC LUGS

### ELIMINATES WIRING · LABOR SAVING

For printed circuitry we have standardized our most popular holders with PC Lugs. Choice of single or multiple holders "AA" assembled with Cat. No. 4002 lug, "C" and "D" assembled with Cat. No. 4003 lug.

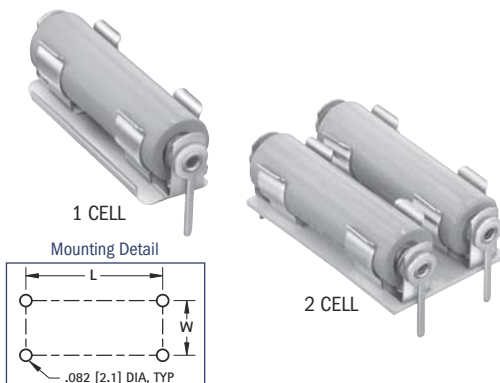


| CAT. NO.         | HOLDS NO. OF CELLS | MOUNTING HOLE DETAILS  |              | BATTERY CROSS REFERENCE |           |
|------------------|--------------------|--|--------------|-------------------------|-----------|
|                  |                    | L  | W            | IEC                     | ANSI/NEDA |
| <b>"AA" CELL</b> |                    | ( BATTERY .531 (13.4) O.D. × 1.906 (48.4) L )<br>SIZE .565 (14.5) 1.988 (50.5)   |              |                         |           |
| 2222             | 1                  | 2.250 (57.2)   | —            | LR6                     | 15A       |
| 2223             | 2                  | 2.250 (57.2)   | .625 (15.9)  |                         |           |
| <b>"C" CELL</b>  |                    | ( BATTERY .875 (22.2) O.D. × 1.875 (47.6) L )<br>SIZE 1.125 (28.6) 1.969 (50.0)  |              |                         |           |
| 2224             | 1                  | 2.218 (56.3)   | —            | LR14                    | 14A       |
| 2225             | 2                  | 2.218 (56.3)   | 1.000 (25.4) |                         |           |
| <b>"D" CELL</b>  |                    | ( BATTERY 1.187 (30.1) O.D. × 2.312 (58.7) L )<br>SIZE 1.375 (34.9) 2.412 (61.3) |              |                         |           |
| 2226             | 1                  | 2.687 (68.3)   | —            | LR20                    | 13A       |
| 2227             | 2                  | 2.687 (68.3)   | 1.312 (33.3) |                         |           |

## STEEL HOLDERS WITH PC LUGS

### ELIMINATES WIRING · LABOR SAVING

For printed circuitry we have standardized our most popular holders with PC Lugs. Choice of single or multiple holders "AA" assembled with Cat. No. 4002 lug, "C" and "D" assembled with Cat. No. 4003 lug.



| CAT. NO.         | HOLDS NO. OF CELLS | MOUNTING HOLE PATTERN  |              | BATTERY CROSS REFERENCE |           |
|------------------|--------------------|--|--------------|-------------------------|-----------|
|                  |                    | L  | W            | IEC                     | ANSI/NEDA |
| <b>"AA" CELL</b> |                    | ( BATTERY .531 (13.4) O.D. × 1.906 (48.4) L )<br>SIZE .565 (14.5) 1.988 (50.5)   |              |                         |           |
| 2228             | 1                  | 2.203 (56.0)   | —            | LR6                     | 15A       |
| 2229             | 2                  | 2.203 (56.0)   | .750 (19.1)  |                         |           |
| <b>"C" CELL</b>  |                    | ( BATTERY .875 (22.2) O.D. × 1.875 (47.6) L )<br>SIZE 1.125 (28.6) 1.969 (50.0)  |              |                         |           |
| 2230             | 1                  | 2.343 (59.5)   | —            | LR14                    | 14A       |
| 2231             | 2                  | 2.343 (59.5)   | 1.187 (30.2) |                         |           |
| <b>"D" CELL</b>  |                    | ( BATTERY 1.187 (30.1) O.D. × 2.312 (58.7) L )<br>SIZE 1.375 (34.9) 2.412 (61.3) |              |                         |           |
| 2232             | 1                  | 2.625 (66.7)   | —            | LR20                    | 13A       |
| 2233             | 2                  | 2.625 (66.7)   | 1.562 (39.7) |                         |           |

# AMEYA360

Components Supply Platform

Authorized Distribution Brand :



Website :

Welcome to visit [www.ameya360.com](http://www.ameya360.com)

Contact Us :

➤ Address :

401 Building No.5, JiuGe Business Center, Lane 2301, Yishan Rd  
Minhang District, Shanghai , China

➤ Sales :

Direct +86 (21) 6401-6692

Email [amall@ameya360.com](mailto:amall@ameya360.com)

QQ 800077892

Skype [ameyasales1](#) [ameyasales2](#)

➤ Customer Service :

Email [service@ameya360.com](mailto:service@ameya360.com)

➤ Partnership :

Tel +86 (21) 64016692-8333

Email [mkt@ameya360.com](mailto:mkt@ameya360.com)