

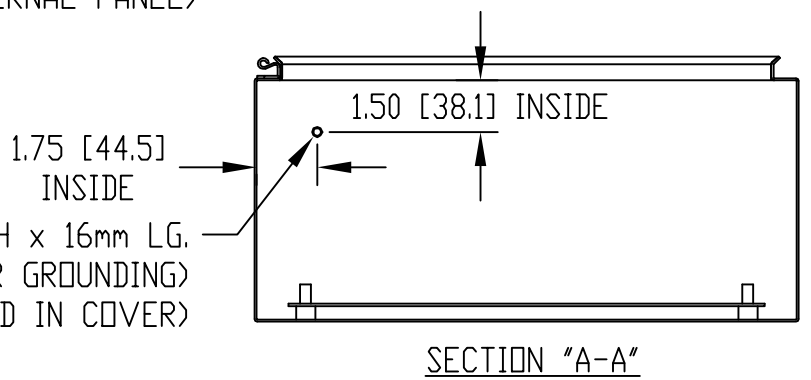
MATERIAL:
 BODY & COVER - 16 GA. [1.5mm] C.R.S.
 INTERNAL PANEL - 14 GA. [2.0mm] C.R.S.
 WALL MTG. BRKTS - 14 GA. [2.0mm] TYPE 430 STAINLESS STEEL
 STRIKER - C.R.S.
 HINGE PINS & WALL MTG. HARDWARE - TYPE 201 STAINLESS STEEL
 LATCH - ZINC DIE CAST
 GASKET - 0.38 [9.5] THK. ROGERS CORP. PORDON #4701-30-15375-04 (BLACK)
 SEALING WASHERS - BLACK NEOPRENE
 HOLE PLUGS - LIGHT GRAY NEOPRENE

FINISH:
 BODY & COVER - LIGHT GRAY SMOOTH POWDER COAT
 INTERNAL PANEL - ZINC PLATED
 WALL MOUNTING BRACKETS & HINGE PINS - NATURAL
 STRIKER - ZINC PLATED
 LATCH - CHROME PLATED

WALL MOUNTING BRACKET KIT SUPPLIED WITH THE FOLLOWING:
 (4) BRACKETS, (4) M10x1.5 x 19.5mm LG. BOLTS,
 (4) SEALING WASHERS, (4) FLAT WASHERS,
 (4) SPLIT LOCKWASHERS & (4) HEX NUTS

M8x1.25 PITCH x 16mm LG. WELD STUD/STANDOFF (4x)
 (WITH FLAT WASHER, SPLIT LOCKWASHER & HEX NUT FOR MOUNTING INTERNAL PANEL)

M6x1.0 PITCH x 16mm LG. WELD STUD (FOR GROUNDING)
 (SAME STUD IN COVER)



BOXES SUPPLIED WITH GROUNDING KIT THAT CONTAINS THE FOLLOWING: (1) GROUND WIRE, (4) FLAT WASHERS, (2) SPLIT LOCKWASHERS AND (2) HEX NUTS

PART NO.	"A"	"B"	"C"	"D"	"E"	"F"	"G"	"H"	"J"	"K"	"L"	"M"
SNB-3730	9.84 [250]	7.87 [200]	5.91 [150]	5.33 [135.4]	11.12 [282.3]	6.42 [163]	8.25 [209.6]	6.28 [159.6]	6.89 [175]	4.92 [125]	8.46 [215]	5.91 [150]
SNB-3738	7.87 [200]	5.91 [150]	5.91 [150]	5.33 [135.4]	9.15 [232.3]	4.45 [113]	6.28 [159.6]	4.31 [109.6]	4.92 [125]	2.95 [75]	6.50 [165]	3.94 [100]
SNB-3739	7.87 [200]	7.87 [200]	3.98 [101]	3.40 [86.4]	9.15 [232.3]	6.42 [163]	6.28 [159.6]	6.28 [159.6]	4.92 [125]	4.92 [125]	6.50 [165]	5.91 [150]
SNB-3740	9.84 [250]	9.84 [250]	5.91 [150]	5.33 [135.4]	11.12 [282.3]	8.39 [213]	8.25 [209.6]	8.25 [209.6]	6.89 [175]	6.89 [175]	8.46 [215]	7.87 [200]
SNB-3741	9.84 [250]	7.87 [200]	3.98 [101]	3.40 [86.4]	11.12 [282.3]	6.42 [163]	8.25 [209.6]	6.28 [159.6]	6.89 [175]	4.92 [125]	8.46 [215]	5.91 [150]

Authorized Distribution Brand :



Website :

Welcome to visit www.ameya360.com

Contact Us :

➤ Address :

401 Building No.5, JiuGe Business Center, Lane 2301, Yishan Rd
Minhang District, Shanghai , China

➤ Sales :

Direct +86 (21) 6401-6692

Email amall@ameya360.com

QQ 800077892

Skype ameyasales1 ameyasales2

➤ Customer Service :

Email service@ameya360.com

➤ Partnership :

Tel +86 (21) 64016692-8333

Email mkt@ameya360.com