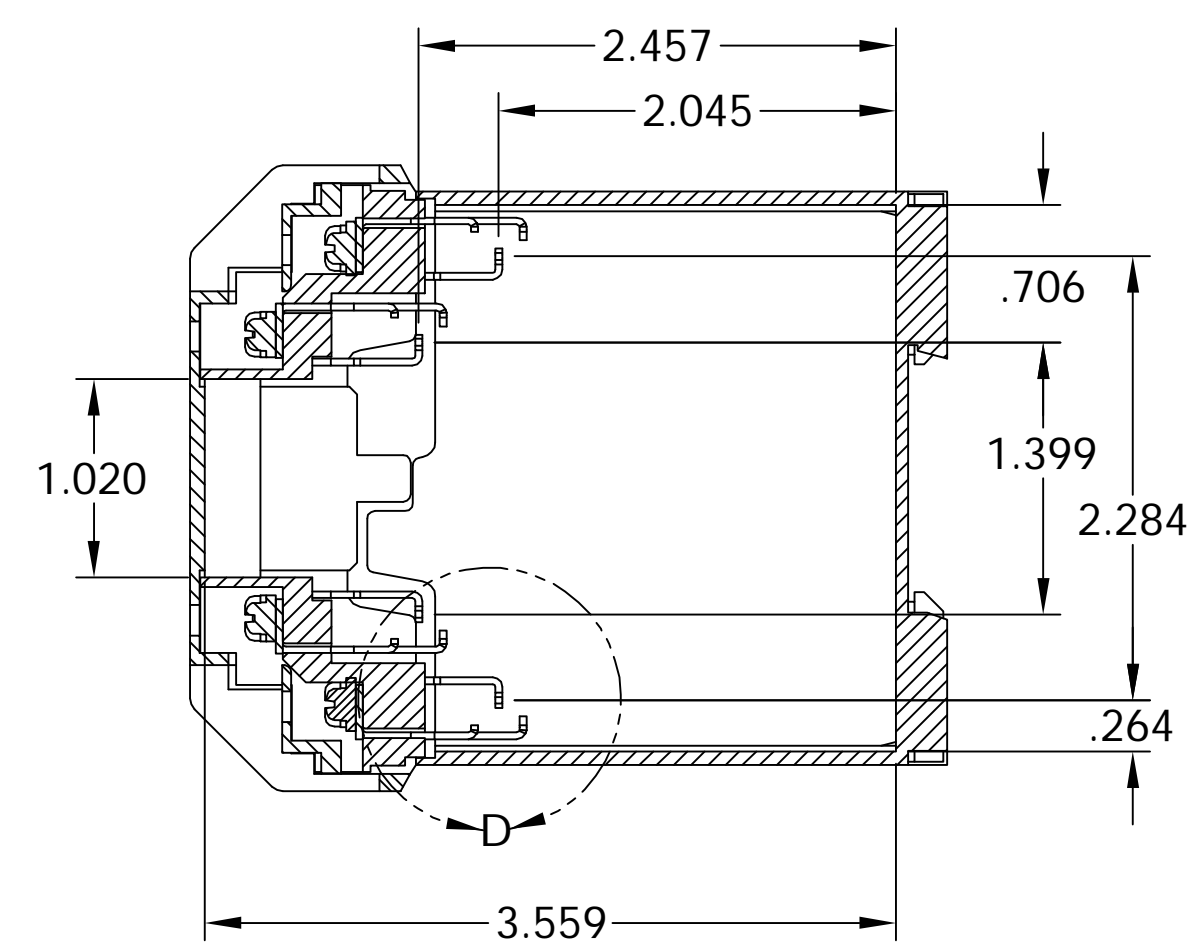
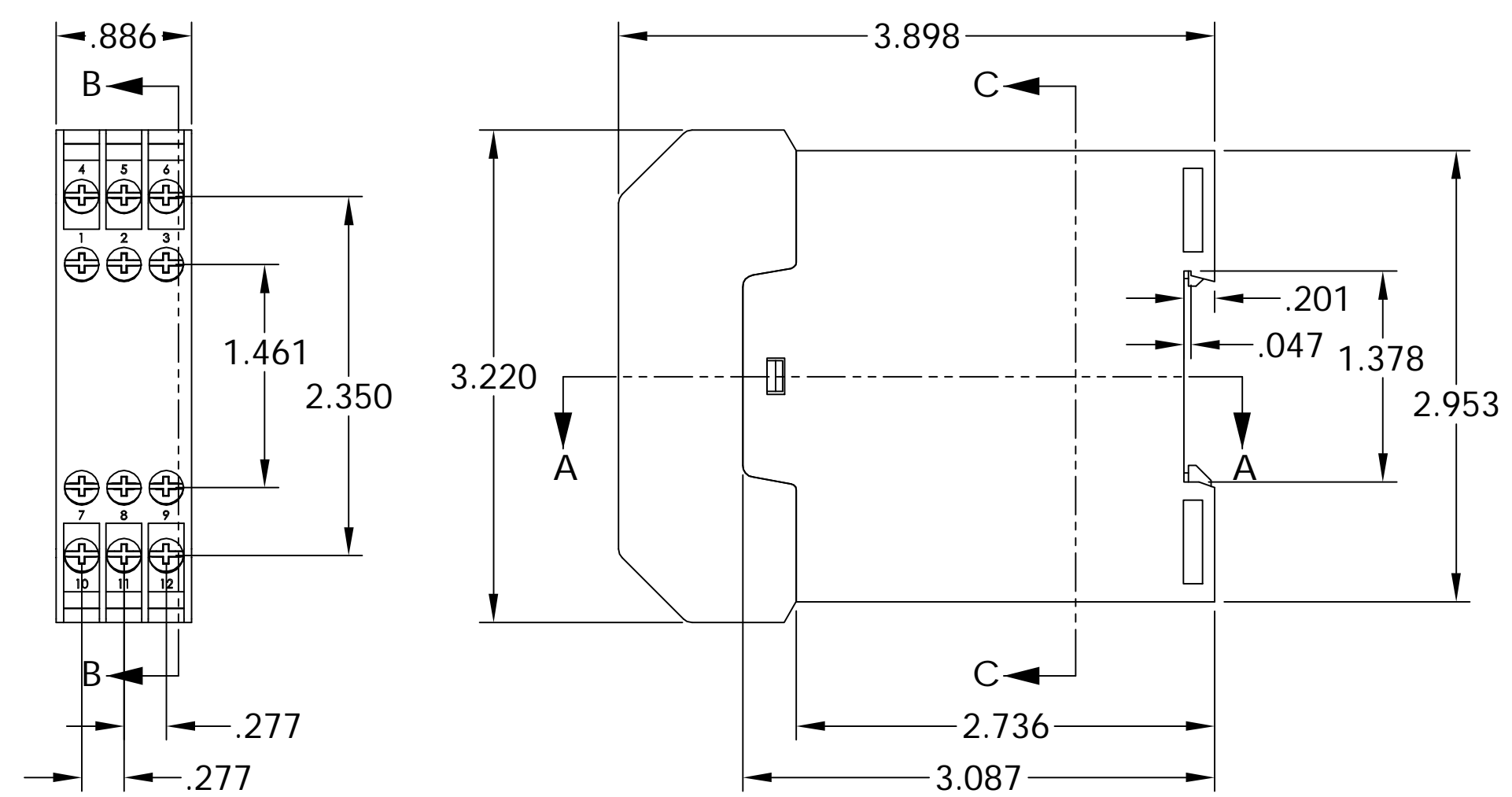
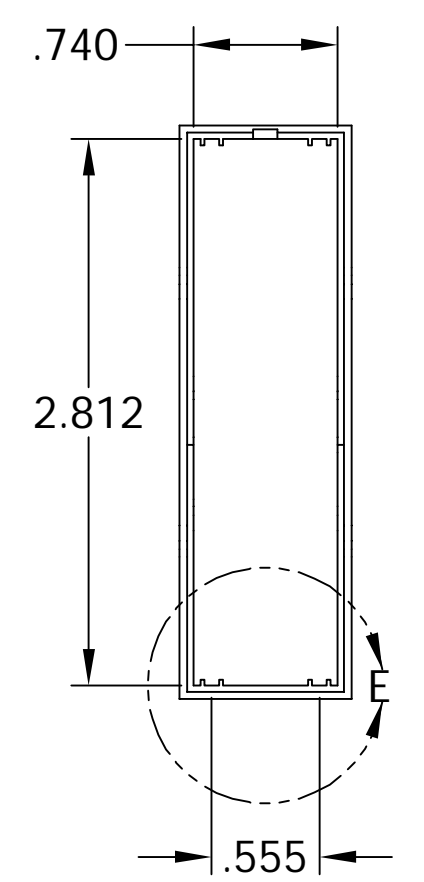


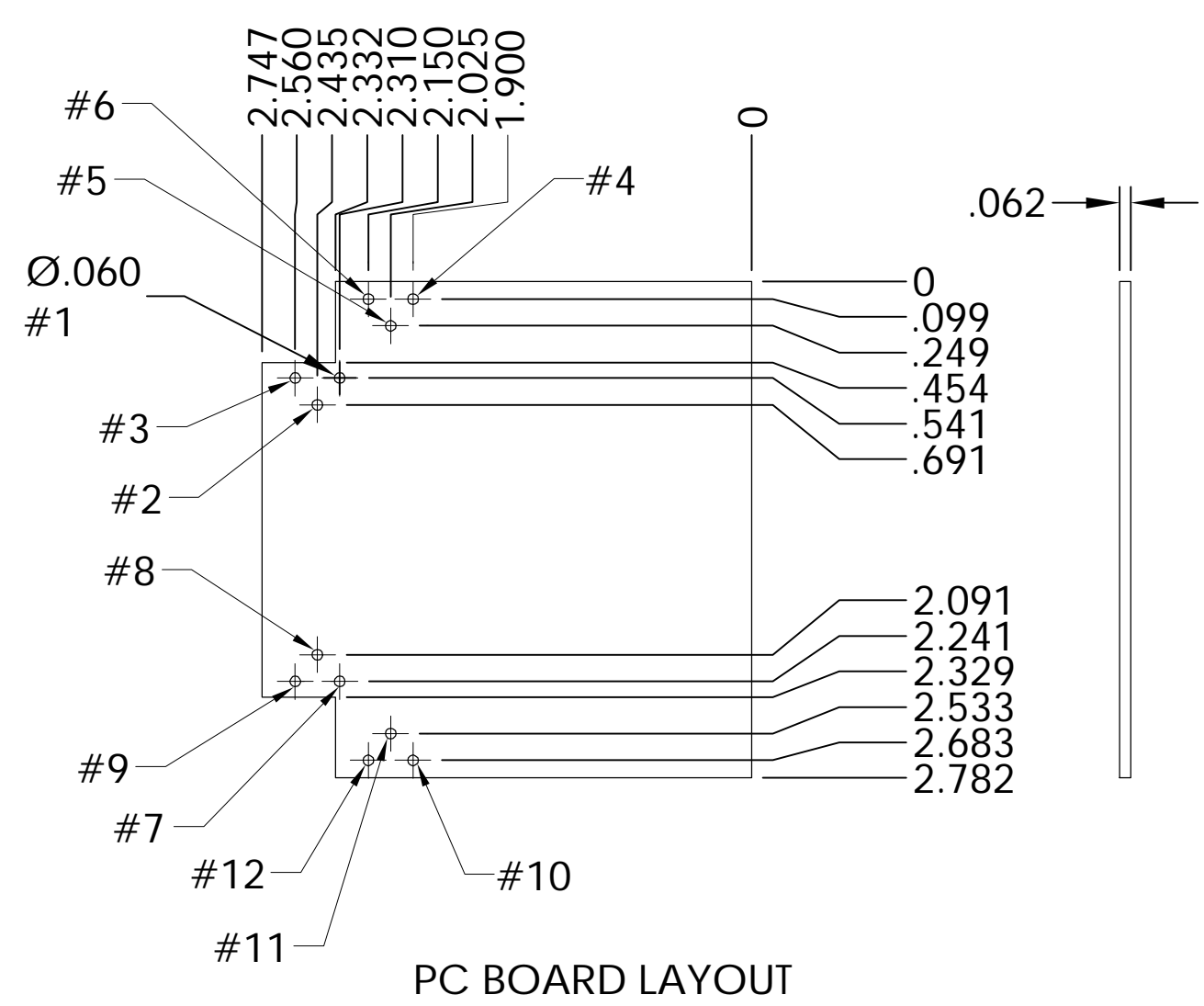
SECTION A-A



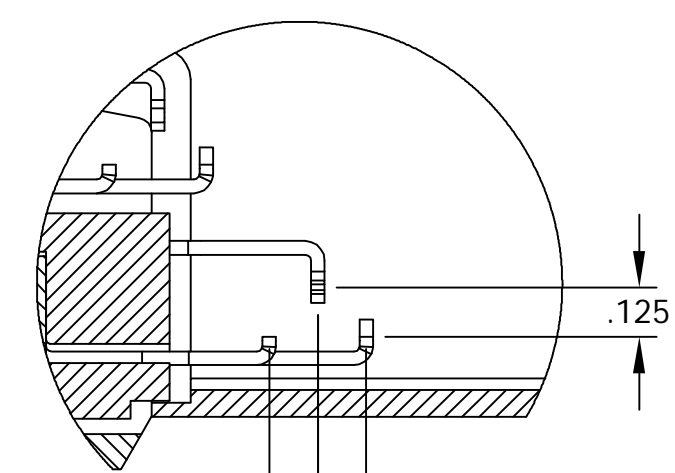
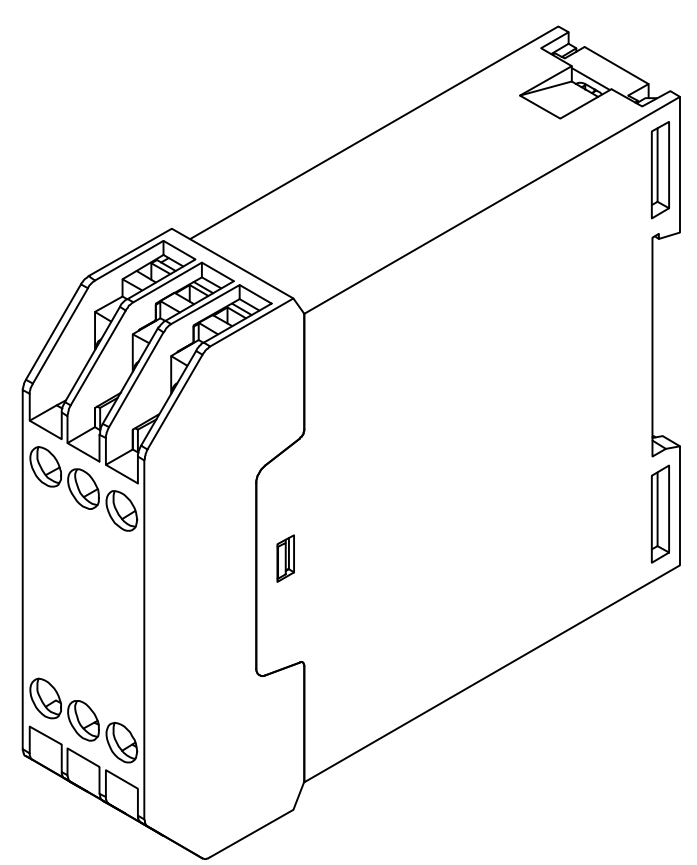
SECTION B-B



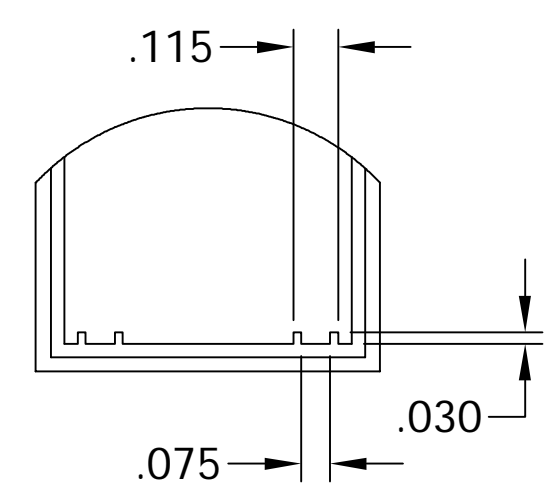
SECTION C-C



PC BOARD LAYOUT



DETAIL D



DETAIL E

MATERIAL: UL94V-0 RATED ABS

FINISH: LIGHT GRAY

ALL DIMENSIONS HAVE A $\pm .015$ TOLERANCE UNLESS OTHERWISE SPECIFIED

ALL CONTACTS ARE TIN PLATED BRASS RATED AT 10 AMPS

NOTE: HOLE NUMBERS CORRESPOND TO CONTACT POSITION

Authorized Distribution Brand :



Website :

Welcome to visit www.ameya360.com

Contact Us :

➤ Address :

401 Building No.5, JiuGe Business Center, Lane 2301, Yishan Rd
Minhang District, Shanghai , China

➤ Sales :

Direct +86 (21) 6401-6692

Email amall@ameya360.com

QQ 800077892

Skype ameyasales1 ameyasales2

➤ Customer Service :

Email service@ameya360.com

➤ Partnership :

Tel +86 (21) 64016692-8333

Email mkt@ameya360.com