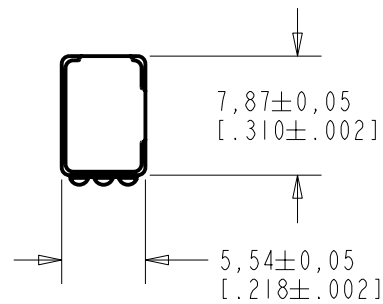
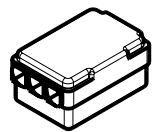
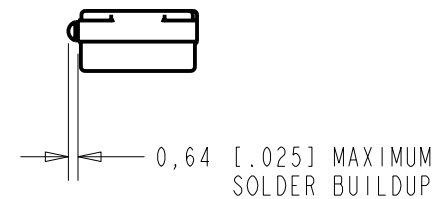
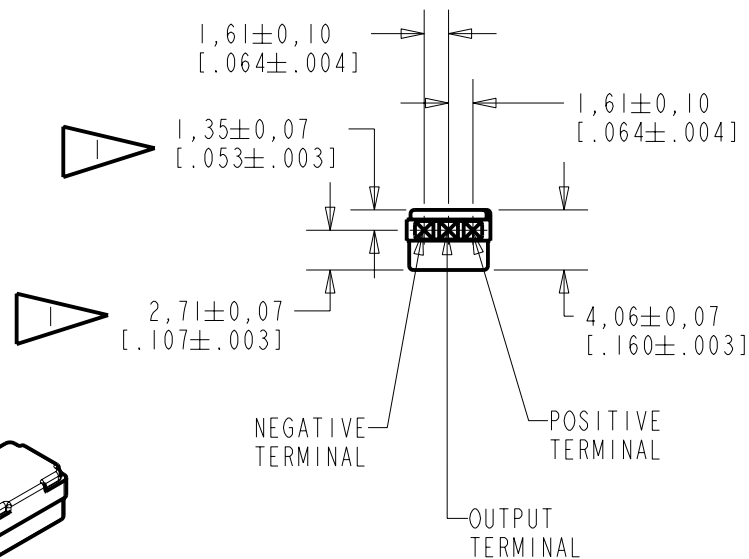


BU-21771-000
SHT 1.1



NOTE:

LOCATED FROM TWO SURFACES FOR CUSTOMER CONVENIENCE ONLY APPLICABLE FROM ONE SURFACE, NOT TO BE USED TOGETHER. HORIZONTAL LOCATION FOR TERMINAL CENTERED TO $\pm 0,17$ [0.007].



NOMINAL WEIGHT
.28 GRAM

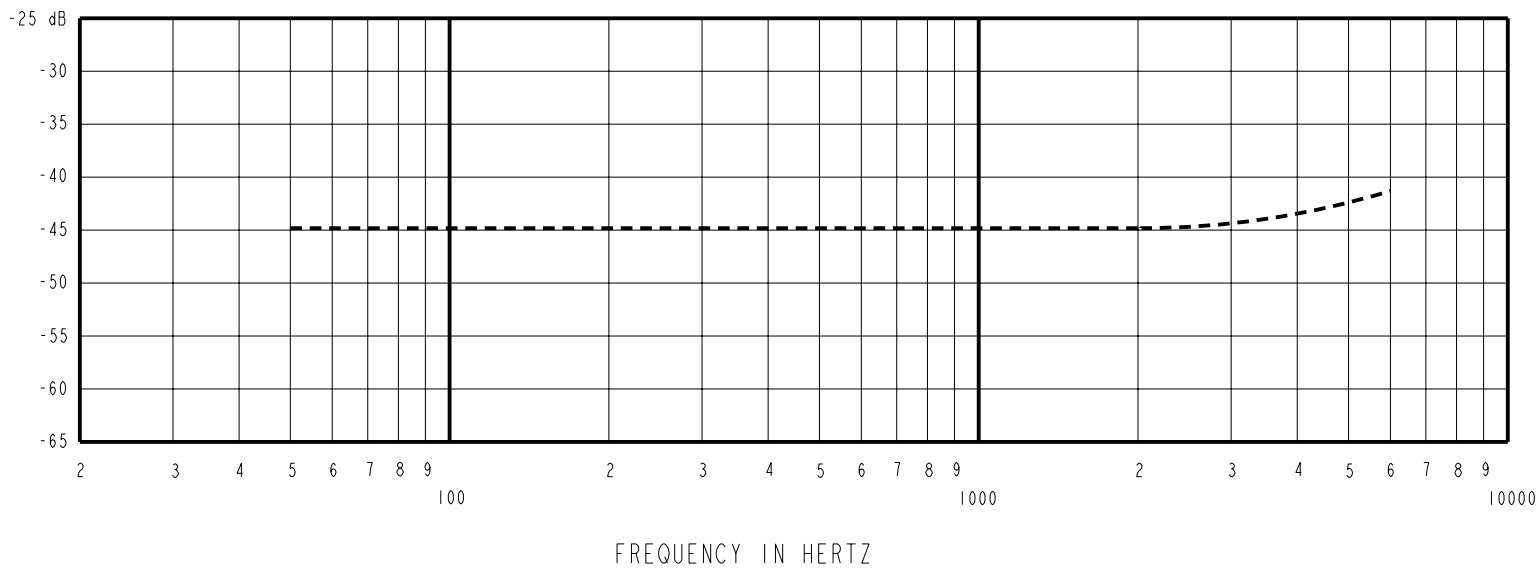
DIMENSIONS IN MILLIMETERS [INCHES]

| Revision | C.O. # | Implementation Date | RELEASE LEVEL | REVISION |
|----------|-----------|---------------------|---------------|----------|
| B | MI0101515 | 7-16-07 | Released | B |
| A | MI0101175 | 9-13-06 | | |

| | | | |
|-----------------------------|--|---------|---------|
| SCALE: 2:1 | | DR. BY | DATE |
| DO NOT SCALE DRAWING | | AB | 9-13-06 |
| TITLE: VIBRATION TRANSDUCER | | CK. BY | DATE |
| OUTLINE DRAWING | | GJP | 9-18-06 |
| BU-21771-000 | | APP. BY | DATE |
| SHT 1.1 | | GJP | 9-18-06 |

KNOWLES ELECTRONICS
ITASCA, ILLINOIS U.S.A.

SENSITIVITY IN dB RELATIVE TO 1.0 VOLT/g
FOR CONDITIONS SHOWN BELOW



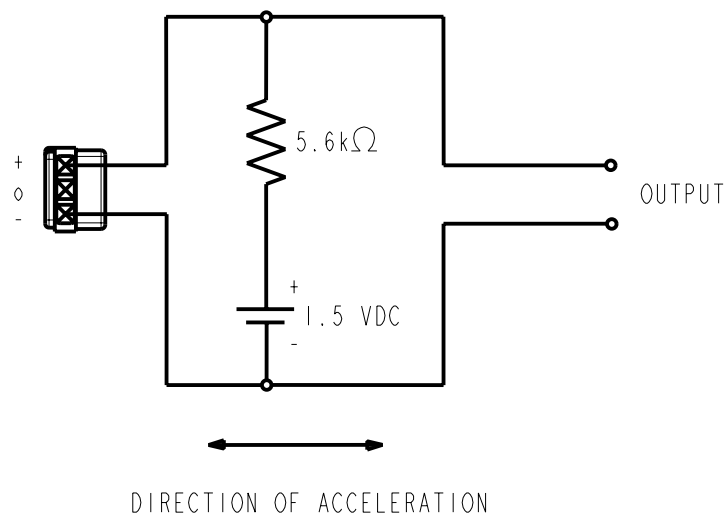
| FREQUENCY | SENSITIVITY | | | DEVICE CONFORMITY | |
|-----------|-------------|-------|-------|-------------------------------|------|
| | MIN. | NOM. | MAX. | RANGE OF DEVIATION FROM 1 kHz | |
| 300 | --- | -45.0 | --- | -1.5 | +1.5 |
| 1000 | -49.5 | -45.0 | -40.5 | 0 | 0 |
| 3000 | --- | -44.5 | --- | -1.0 | +2.0 |

NOTES:

- ALL DATA MEASURED WITH CIRCUIT CONFIGURATION SHOWN BELOW.
- CASE CONNECTED TO NEGATIVE TERMINAL.

| DC SUPPLY | BATTERY CURRENT DRAIN | "A" WEIGHTED NOISE (RE 1.0V) | OUTPUT IMPEDANCE OHMS (AT 1 kHz) | | |
|-----------|-----------------------|------------------------------|----------------------------------|------|------|
| | | | MIN. | NOM. | MAX. |
| 1.5 V | 50 μ A MAX. | -103 dB MAX. | 4900 | 5200 | 5500 |

3. TEST CONDITIONS:



| Revision | C.O. # | Implementation Date | RELEASE LEVEL | REVISION |
|----------|-----------|---------------------|---------------|----------|
| B | M10101515 | 7-16-07 | Released | B |
| A | M10101175 | 9-13-06 | | |

KNOWLES ELECTRONICS
ITASCA, ILLINOIS U.S.A.

WHEN TEST LIMITS ARE USED TO ESTABLISH INCOMING INSPECTION ACCEPTANCE/REJECTION CRITERIA, CORRELATION OF TEST EQUIPMENT WITH KNOWLES IS ALSO REQUIRED FOR ELIMINATION OF EQUIPMENT AND TEST METHOD VARIATION

TITLE: **VIBRATION TRANSDUCER** **BU-21771-000**
PERFORMANCE SPECIFICATION **SHT 2.1**

| DR. BY | DATE |
|---------|---------|
| AB | 9-13-06 |
| CK. BY | DATE |
| GJP | 9-18-06 |
| APP. BY | DATE |
| GJP | 9-18-06 |

AMEYA360

Components Supply Platform

Authorized Distribution Brand :



Website :

Welcome to visit www.ameya360.com

Contact Us :

➤ Address :

401 Building No.5, JiuGe Business Center, Lane 2301, Yishan Rd
Minhang District, Shanghai , China

➤ Sales :

Direct +86 (21) 6401-6692

Email amall@ameya360.com

QQ 800077892

Skype [ameyasales1](#) [ameyasales2](#)

➤ Customer Service :

Email service@ameya360.com

➤ Partnership :

Tel +86 (21) 64016692-8333

Email mkt@ameya360.com