

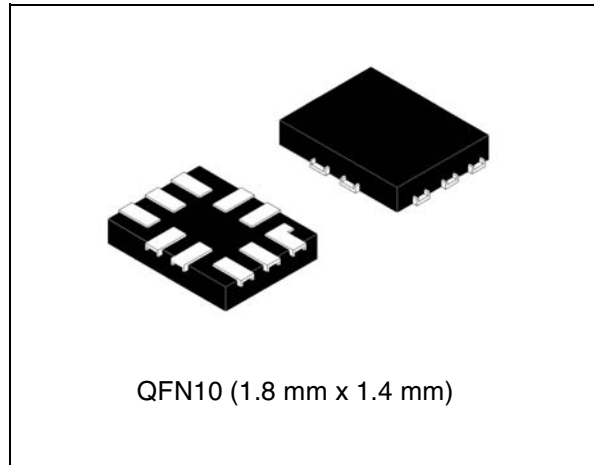


## STG3696E

Low voltage dual SPDT switch for USB/audio signal switching  
with 8 kV ESD protection

### Features

- Low distortion negative signal swing capability for audio switch (range =  $V_{CC}$  to  $V_{CC} - 5.0$  V)
- Single supply operating voltage:  
 $V_{CC} = 2.7$  V to 4.5 V
- Typical bandwidth ( $-3$  dB) of 950 MHz on all channels
- USB (2.0) high speed (480 Mbps) signal switching compliant
- Integrated fail safe function to protect against short to 5.5 V
- Internal shunt resistors for pop noise suppression
- Auto detection of  $V_{BUS}$  for switch selection
- Low  $R_{ON}$  resistance of 2.5  $\Omega$  (typ.)
- Latch-up performance exceeds 100 mA per JESD 78, Class II
- ESD performance exceeds JESD22 (COM pins to GND)  $\pm 8$  kV Human Body Model (A114-A)
- ESD performance exceeds JESD22 (other pins)  $\pm 2$  kV Human Body Model (A114-A)



### Applications

- Mobile phones
- MP3 and other personal media players

Table 1. Device summary

Order code	Package	Packing
STG3696EQTR	QFN10 (1.8 mm x 1.4 mm)	Tape and reel

# Contents

<b>1</b>	<b>Description</b> .....	<b>5</b>
<b>2</b>	<b>Pin settings</b> .....	<b>6</b>
	2.1 Pin connection .....	6
	2.2 Pin description .....	6
<b>3</b>	<b>Functional diagram</b> .....	<b>7</b>
<b>4</b>	<b>Application diagram</b> .....	<b>8</b>
<b>5</b>	<b>Operation</b> .....	<b>9</b>
	5.1 Overvoltage fault protection .....	9
	5.2 Negative charge pump for negative rail audio signaling .....	9
	5.3 $V_{BUS}$ detection feature .....	9
	5.4 Pop noise suppression .....	9
<b>6</b>	<b>Maximum ratings</b> .....	<b>10</b>
<b>7</b>	<b>DC and AC parameters</b> .....	<b>11</b>
<b>8</b>	<b>Package mechanical data</b> .....	<b>14</b>
<b>9</b>	<b>Package marking information</b> .....	<b>19</b>
<b>10</b>	<b>Revision history</b> .....	<b>20</b>

## List of tables

Table 1.	Device summary . . . . .	1
Table 2.	Pin assignment . . . . .	6
Table 3.	Truth table. . . . .	7
Table 4.	Absolute maximum ratings . . . . .	10
Table 5.	Recommended operating conditions . . . . .	11
Table 6.	DC and AC characteristics . . . . .	11
Table 7.	Mechanical data for QFN10 (1.8 x 1.4 x 0.5 mm) - 0.40 mm pitch. . . . .	15
Table 8.	Device topside marking information . . . . .	19
Table 9.	Document revision history . . . . .	20

## List of figures

Figure 1.	Logic diagram . . . . .	5
Figure 2.	Pin connection (top through view) . . . . .	6
Figure 3.	Functional diagram . . . . .	7
Figure 4.	Application diagram . . . . .	8
Figure 5.	Package outline for QFN10 (1.8 x 1.4 x 0.5 mm) - 0.40 mm pitch . . . . .	14
Figure 6.	Recommended footprint for QFN10 (1.8 x 1.4 x 0.5 mm) - 0.40 mm pitch . . . . .	15
Figure 7.	Carrier tape for QFN10 (1.8 x 1.4 x 0.5 mm) . . . . .	16
Figure 8.	Reel information (front side) for QFN10 (1.8 x 1.4 x 0.5 mm) . . . . .	17
Figure 9.	Reel information (back view) for QFN10 (1.8 x 1.4 x 0.5 mm) . . . . .	18

# 1 Description

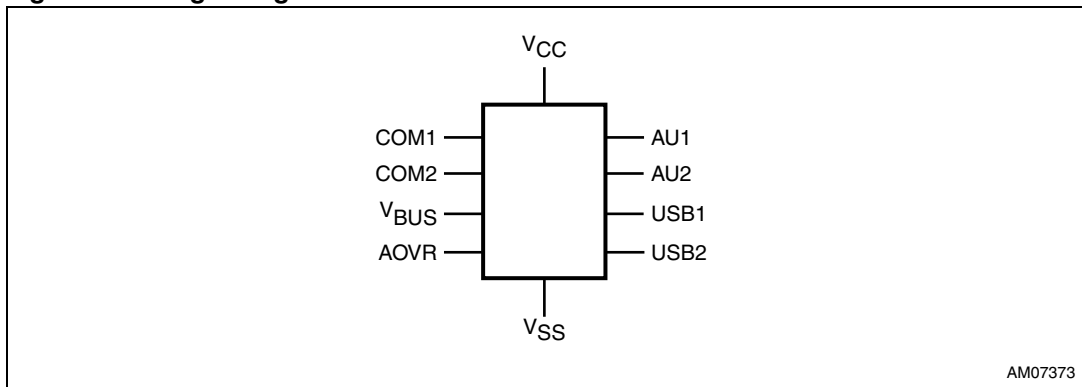
STG3696E is a high speed ESD protected dual SPDT (single pole dual throw) switch that combines low distortion audio and accurate USB 2.0 high speed (480 Mbps) data signal switching in the same device.

When the audio path is selected, the switch allows the audio signal to swing below ground (up to  $V_{CC} - 5.0\text{ V}$ ). Superior channel-to-channel crosstalk also minimizes interference. Integrated shunt resistors in the device helps to suppress pop noise on the audio path.

When  $V_{BUS}$  is greater than  $V_{BUSTHRES}$ , STG3696E will automatically switch from the audio channel to the USB channel. The device is compatible with the requirements of USB 2.0 and features low on capacitance plus low resistance needed to achieve high performance switching in mobile applications.

The device allows the D+/D- pins to withstand an overvoltage condition of 5.5 V in compliant with the USB 2.0 fault protection specification.

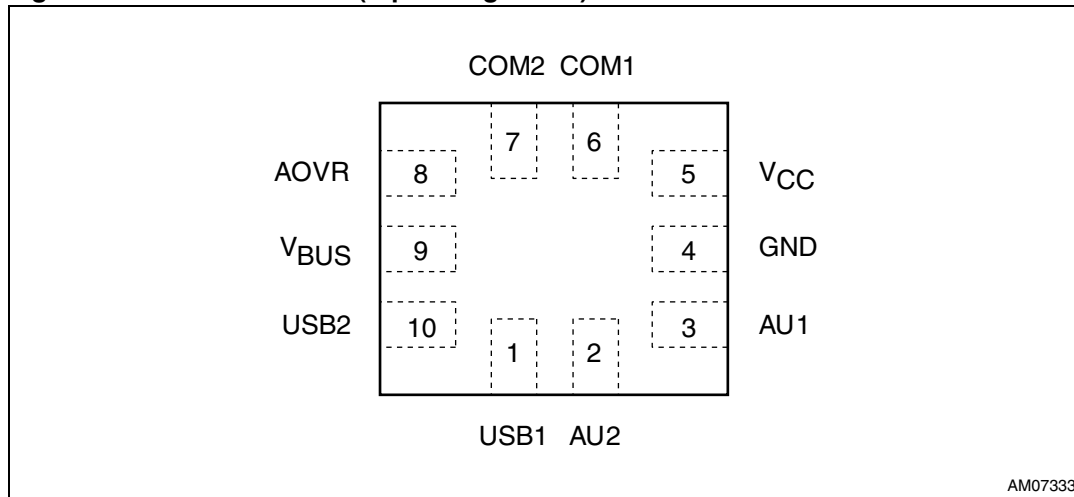
**Figure 1. Logic diagram**



## 2 Pin settings

### 2.1 Pin connection

Figure 2. Pin connection (top through view)



AM07333

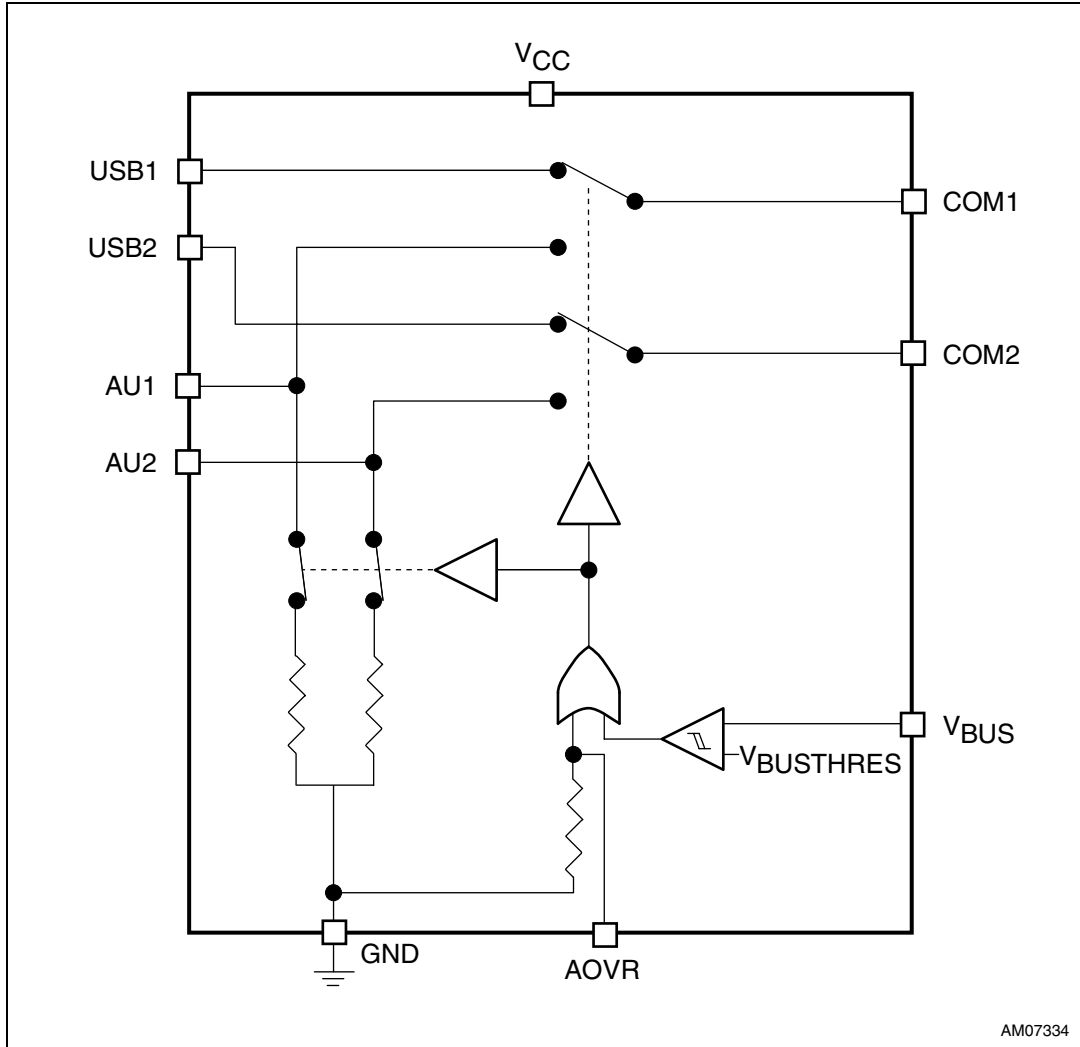
### 2.2 Pin description

Table 2. Pin assignment

Pin number	Symbol	Name and function
1	USB1	USB channel 1
2	AU2	Audio channel 2
3	AU1	Audio channel 1
4	GND	Ground (0 V)
5	V <sub>CC</sub>	Positive supply voltage
6	COM1	Common channel 1
7	COM2	Common channel 2
8	AOVR	Audio Override Enable. When AOV is low, switch selection is controlled by V <sub>BUS</sub> . When AOV is high, COM channels will be connected to audio channels. AOV has an internal pull-down resistor to GND.
9	V <sub>BUS</sub>	V <sub>BUS</sub> detection. If V <sub>BUS</sub> ≥ V <sub>BUSTHRES</sub> , COM channels are connected to USB channels. Otherwise, COM channels will be connected to audio channels.
10	USB2	USB channel 2

### 3 Functional diagram

Figure 3. Functional diagram



AM07334

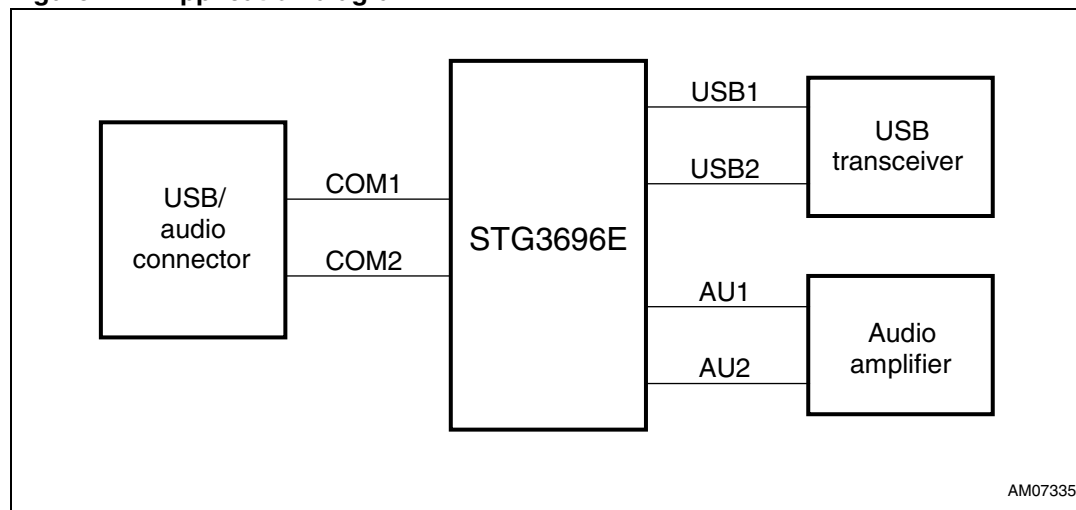
Table 3. Truth table

V <sub>BUS</sub>	AOVR	USB <sub>n</sub>	AU <sub>n</sub>	AU <sub>n</sub> shunt
≥ V <sub>BUSTHRES</sub>	LOW	ON	OFF	ON
< V <sub>BUSTHRES</sub>	LOW	OFF	ON	OFF
X <sup>(1)</sup>	ON	OFF	ON	OFF

1. Don't care.

# 4 Application diagram

Figure 4. Application diagram





## 5 Operation

### 5.1 Overvoltage fault protection

STG3696E features an overvoltage fault protection in compliance to USB fault protection specification. The fault protection circuitry is triggered when the voltage on the COMn channels raise above  $V_{OVDT}$ . The overvoltage fault protection helps to protect the switch and USB transceiver from being damaged by excessive voltage levels.

### 5.2 Negative charge pump for negative rail audio signaling

STG3696E uses a negative charge pump to generate a negative supply which allows the audio signal to swing below ground (up to  $V_{CC} - 5.0$  V) on the AUn channels. If the device fault protection is activated when the voltage on the COMn channels raise above  $V_{OVDT}$ , there must not be a negative voltage attached to the AUn channels.

### 5.3 $V_{BUS}$ detection feature

The connection between USBn and COMn is triggered when  $V_{BUS}$  voltage is detected to be higher than  $V_{BUSTHRES}$ . If  $V_{BUS}$  is constantly present in the application, driving the audio override enable (AOVR) high will connect the AUn channels to the COMn channels. If AOVR is low, the switching between AUn and USBn is controlled by the  $V_{BUS}$  detection.

### 5.4 Pop noise suppression

When the AUn channels are not connected to the COMn channels, the AUn channels are automatically connected to  $200\ \Omega$  shunt resistors which helps to discharge any capacitance built up on the AUn channels. This will reduce the possibility of pop and click noise occurrence when switching between USB and audio sources.

## 6 Maximum ratings

Stressing the device above the rating listed in the “Absolute maximum ratings” table may cause permanent damage to the device. These are stress ratings only and operation of the device at these or any other conditions above those indicated in the “Operating” sections of this specification is not implied. Exposure to absolute maximum rating conditions for extended periods may affect device reliability.

**Table 4. Absolute maximum ratings**

Symbol	Parameter		Value	Unit
$V_{CC}$	Supply voltage		-0.5 to 6.0	V
$V_{COMn}$	Common port voltage	$AOVR = 1$ or $V_{BUS} < V_{BUSTHRES}$	$-(V_{CC} - 6.0)$ to 6.0	V
		$V_{BUS} \geq V_{BUSTHRES}$	-0.5 to 6.0	
$V_{AUn}$	Audio port voltage	$AOVR = 1$ or $V_{BUS} < V_{BUSTHRES}$	$-(V_{CC} - 6.0)$ to $V_{CC} + 0.5$	V
		$V_{BUS} \geq V_{BUSTHRES}$	-0.5 to $V_{CC} + 0.5$	
$V_{USBn}$	USB port voltage		-0.5 to $V_{CC} + 0.5$	V
$I_{IK}$	DC input diode current		$\pm 50$	mA
$I_{OK}$	DC output diode current		$\pm 20$	mA
$I_O$	DC output current		$\pm 150$	mA
$I_{OP}$	DC output current peak (pulse at 1 ms, 10% duty cycle)		$\pm 400$	mA
$I_{CC}$ or $I_{GND}$	DC $V_{CC}$ or ground current		$\pm 100$	mA
$P_D$	Power dissipation at $T_A = 70\text{ }^\circ\text{C}^{(1)}$		1120	mW
$T_{stg}$	Storage temperature		-65 to +150	$^\circ\text{C}$
$T_L$	Lead temperature (10 s)		300	$^\circ\text{C}$

1. Derate above 70  $^\circ\text{C}$  by 18.5 mW/ $^\circ\text{C}$ .

## 7 DC and AC parameters

**Table 5. Recommended operating conditions**

Symbol	Parameter	Value	Unit
$V_{CC}$	Supply voltage	2.7 to 4.5	V
$V_{IO}$	Input/output voltage	$V_{USBn}$	0 to $V_{CC}$
		$V_{AU_n}$	$V_{CC} - 5.0$ to $V_{CC}$
		$V_{COMn}$ (AOVR = 1 or $V_{BUS} < V_{BUSTHRES}$ )	$V_{CC} - 5.0$ to $V_{CC}$
		$V_{COMn}$ ( $V_{BUS} \geq V_{BUSTHRES}$ )	0 to $V_{CC}$
$T_{op}$	Operating temperature	-40 to 85	°C

**Table 6. DC and AC characteristics**

Symbol	Parameter	$V_{CC}$ (V)	Test conditions <sup>(1)</sup>	Value			Unit
				Min.	Typ. <sup>(2)</sup>	Max.	
$V_{IH}$	High level input voltage			1.6			V
$V_{IL}$	Low level input voltage					0.4	V
$V_{BUSTHRES}$	$V_{BUS}$ detect threshold voltage				0.5 x $V_{CC}$		V
$V_{OVDT}$ <sup>(3)</sup>	COM overvoltage detect threshold	2.7 - 3.3	$T_A = 25\text{ °C}$	$V_{CC} + 0.35$		$V_{CC} + 1.0$	V
$R_{ON(AU)}$	Audio channel ON Resistance	3.0	$V_{AU_n} = -1.5\text{ V}, 1.5\text{ V}$ $I_{COMn} = 10\text{ mA}$		2.4	5	$\Omega$
$R_{ON(USB)}$	USB channel ON Resistance	3.0	$V_{USBn} = 0\text{ V}, V_{CC}$ $I_{COMn} = 10\text{ mA}$		2.4	5	$\Omega$
$\Delta R_{ON(AU)}$ <sup>(4), (5)</sup>	ON resistance matching between audio channels	3.0	$V_{AU_n} = 0\text{ V}$ $I_{COMn} = 10\text{ mA}$			0.5	$\Omega$
$\Delta R_{ON(USB)}$ <sup>(4), (5)</sup>	ON resistance matching between USB channels	3.0	$V_{USBn} = 0\text{ V}$ $I_{COMn} = 10\text{ mA}$			0.5	$\Omega$
$R_{FLAT(AU)}$ <sup>(6)</sup>	ON resistance flatness for audio channels	3.0	$V_{AU_n} = -1.5\text{ V to } 1.5\text{ V}$ $I_{COMn} = 10\text{ mA}$		0.03	0.25	$\Omega$
$R_{FLAT(USB)}$ <sup>(6)</sup>	ON resistance flatness for USB channels	3.0	$V_{USBn} = 0\text{ V to } V_{CC}$ $I_{COMn} = 10\text{ mA}$		0.05	0.5	$\Omega$
$R_{SH}$	Shunt switch resistance		$I_{AU_n} = 1\text{ mA}$		200	300	$\Omega$
$I_{USB(OFF)}$	USB channel off leakage current	3.0	$V_{USBn} = 2.5\text{ V}, 0\text{ V}$ $V_{COMn} = -1.5\text{ V}, 2.5\text{ V}$	-15		15	nA
$I_{COM(OFF)}$	Common channel off leakage current	0	$V_{COMn} = 3.6\text{ V}$ $V_{USBn} = V_{AU_n} = 0\text{ V}$			500	$\mu\text{A}$

Table 6. DC and AC characteristics (continued)

Symbol	Parameter	V <sub>CC</sub> (V)	Test conditions <sup>(1)</sup>		Value			Unit
					Min.	Typ. <sup>(2)</sup>	Max.	
I <sub>COM(ON)</sub>	Common channel on leakage current	3.0	USB mode	V <sub>AUn</sub> = 0 V, 2.5 V, unconnected V <sub>COMn</sub> = 0 V, 2.5 V		0.3	1	μA
		3.0	Audio mode	V <sub>USBn</sub> = 0 V, 2.5 V, unconnected V <sub>COMn</sub> = -1.5 V, 2.5 V		0.3	1	
I <sub>CC</sub>	Quiescent supply current	3.3	V <sub>AOVR</sub> = 0, V <sub>BUS</sub> = V <sub>BUSTHRES</sub>			9	24	μA
			V <sub>AOVR</sub> = V <sub>CC</sub> , V <sub>BUS</sub> = 0 V			9	24	
		4.5	V <sub>AOVR</sub> = 0, V <sub>BUS</sub> > V <sub>BUSTHRES</sub>			18	36	
			V <sub>AOVR</sub> = V <sub>CC</sub> , V <sub>BUS</sub> = 0 V			18	36	
t <sub>FP</sub>	Fault-protection response time	3.0	V <sub>COMn</sub> = 1 V to 5 V step, R <sub>USBn</sub> + R <sub>AUn</sub> = 1 kΩ			1.3	5.0	μs
t <sub>FPR</sub>	Fault-protection recovery time	3.0	V <sub>COMn</sub> = 5 V to 1 V step, R <sub>USBn</sub> + R <sub>AUn</sub> = 1 kΩ			-55		μs
t <sub>ON</sub>	Turn on time	3.0	AUn to COMn	(V <sub>AOVR</sub> = 0 V, V <sub>BUS</sub> = 5.0 V to 0 V) or (V <sub>BUS</sub> = 5.0 V, V <sub>AOVR</sub> = 0 V to V <sub>CC</sub> )		55	85	μs
		3.0	USBn to COMn	V <sub>AOVR</sub> = 0V, V <sub>BUS</sub> = 0 V to 5.0 V		55	85	
t <sub>OFF</sub>	Turn off time	3.0	AUn to COMn	(V <sub>AOVR</sub> = 0 V, V <sub>BUS</sub> = 0 V to 5.0 V) or (V <sub>BUS</sub> = 5.0 V, V <sub>AOVR</sub> = V <sub>CC</sub> to 0 V)		1.4	5	μs
		3.0	USBn to COMn	(V <sub>AOVR</sub> = 0 V, V <sub>BUS</sub> = 5.0 V to 0 V) or (V <sub>BUS</sub> = 5.0 V, V <sub>AOVR</sub> = 0 V to V <sub>CC</sub> )		0.7	5	
t <sub>D</sub>	Break-before-make time delay			R <sub>L</sub> = 50 Ω		55		μs
t <sub>SK(0)</sub>	Channel-to-channel skew					40		ps
t <sub>SK(P)</sub>	Skew of opposite transition of the same output					40		ps
OIRR	OFF isolation <sup>(7)</sup>		V <sub>COM</sub> = 1 V <sub>RMS</sub> , f = 100 kHz, R <sub>S</sub> = R <sub>L</sub> = 50 Ω			-65		dB
Xtalk	Crosstalk <sup>(8)</sup>		V <sub>COM</sub> = 1 V <sub>RMS</sub> , f = 100 kHz, R <sub>S</sub> = R <sub>L</sub> = 50 Ω			-70		dB
THD + N	Total Harmonic Distortion + noise		AUn to COMn f = 20 Hz to 20 kHz, V <sub>COM</sub> = 0.5 V <sub>PP</sub> , DC bias = 0 V, R <sub>L</sub> = 600 Ω			0.05		%
PSRR	Power supply rejection ratio	2.7 - 3.3	f = 10 kHz, R <sub>COMn</sub> = 50 Ω			35		dB

Table 6. DC and AC characteristics (continued)

Symbol	Parameter	V <sub>CC</sub> (V)	Test conditions <sup>(1)</sup>		Value			Unit
					Min.	Typ. <sup>(2)</sup>	Max.	
BW	-3 dB bandwidth		AUn	R <sub>S</sub> = R <sub>L</sub> = 50 Ω signal = 0 dBm		850		MHz
			USBn			850		
C <sub>COM(ON)</sub>	On capacitance		USBn to COMn	V <sub>COM</sub> = 0.5V <sub>P-P</sub> DC bias = 0 V, f = 240 MHz		8		pF
			AUn to COMn	V <sub>COM</sub> = 0.5 V <sub>P-P</sub> DC bias = 0 V, f = 1 MHz		8		
C <sub>AU(OFF)</sub>	Audio channel off capacitance		V <sub>COM</sub> = 0.5 V <sub>P-P</sub> DC bias = 0 V, f = 1 MHz			8		pF
C <sub>USB(OFF)</sub>	USB channel off capacitance		V <sub>COM</sub> = 0.5 V <sub>P-P</sub> DC bias = 0 V, f = 240 MHz			3.3		

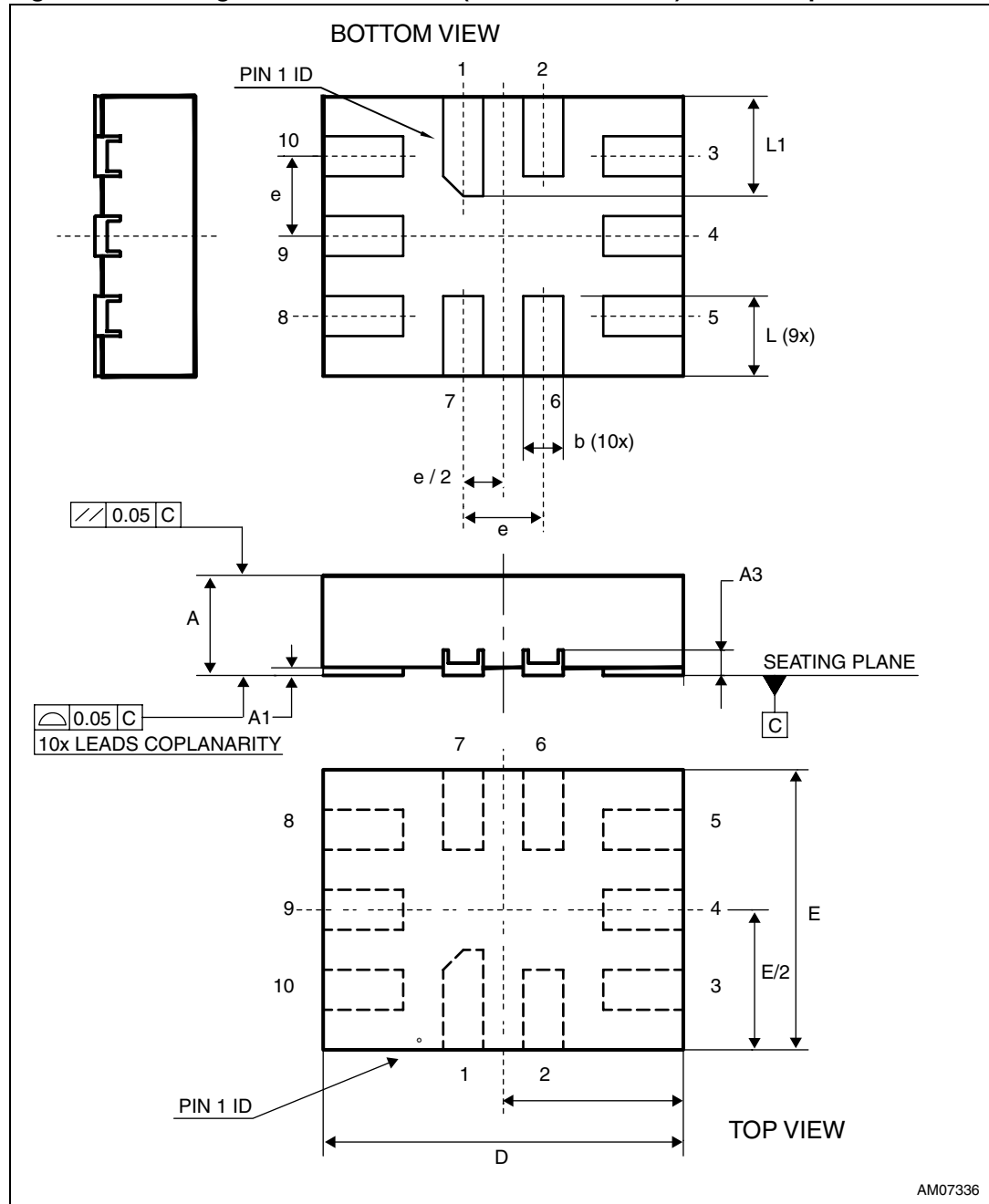
1. Valid for ambient operating temperature: T<sub>A</sub> = -40 to 85 °C, V<sub>CC</sub> = 2.7 V to 4.5 V (except where noted).
2. Typical values are T<sub>A</sub> = 25 °C.
3. When the voltage goes above V<sub>OVDT</sub>, the switch turns off and protects the downstream circuits in case of a fault condition.
4. ΔR<sub>ON</sub> = max ImSN-nSNI, where m and n = 1, 2 and N = 1, 2.
5. Guaranteed by design.
6. Flatness is defined as the difference between the maximum and minimum value of on-resistance as measured over the specified analog signal ranges.
7. Off isolation = 20 Log<sub>10</sub> (V<sub>D</sub>/V<sub>S</sub>), V<sub>D</sub> = output, V<sub>S</sub> = input to off switch.
8. Between the two switches.

## 8 Package mechanical data

### ECOPACK®

In order to meet environmental requirements, ST offers these devices in different grades of ECOPACK® packages, depending on their level of environmental compliance. ECOPACK® specifications, grade definitions and product status are available at: [www.st.com](http://www.st.com). ECOPACK® is an ST trademark.

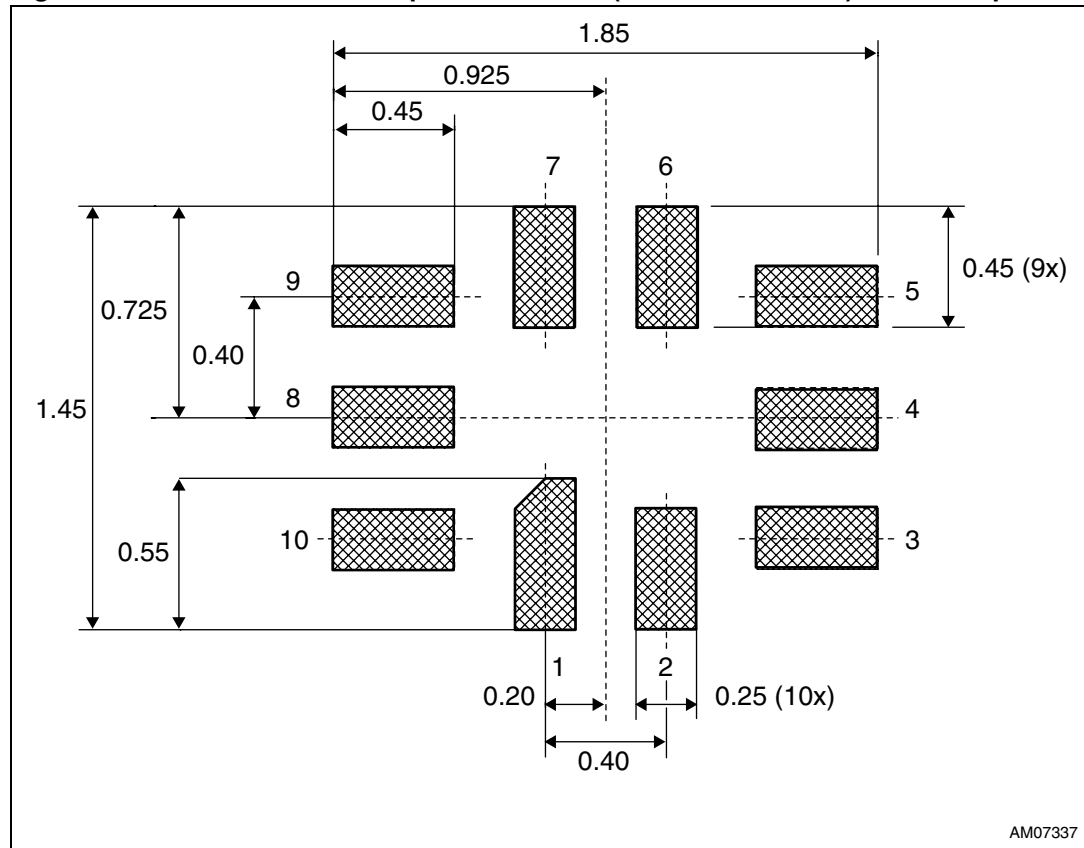
Figure 5. Package outline for QFN10 (1.8 x 1.4 x 0.5 mm) - 0.40 mm pitch



**Table 7. Mechanical data for QFN10 (1.8 x 1.4 x 0.5 mm) - 0.40 mm pitch**

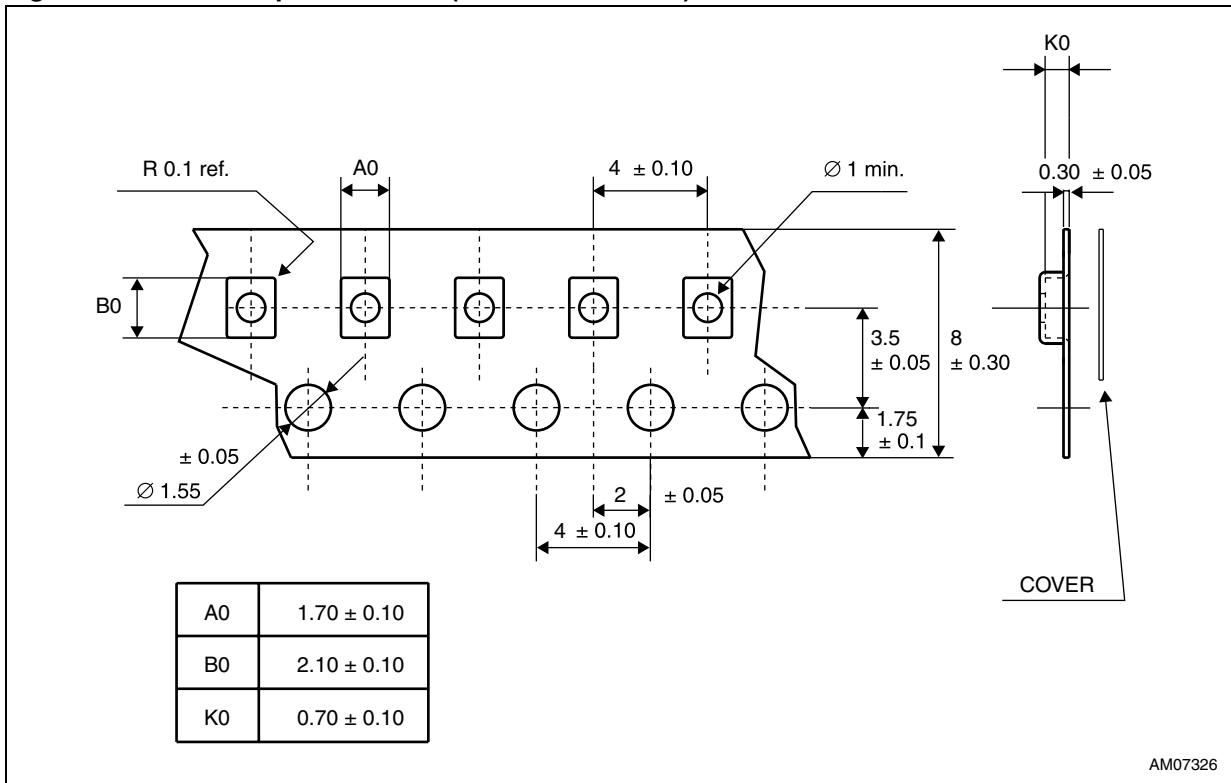
Symbol	millimeters			inches		
	Min.	Typ.	Max.	Min.	Typ.	Max.
A	0.45	0.50	0.55	0.0177	0.0197	0.0217
A1	0	0.02	0.05	0.0000	0.0008	0.0020
A3		0.127			0.0050	
b	0.15	0.20	0.25	0.0059	0.0079	0.0098
D	1.75	1.80	1.85	0.0689	0.0709	0.0728
E	1.35	1.40	1.45	0.0531	0.0551	0.0571
e		0.40			0.0157	
L	0.35	0.40	0.45	0.0138	0.0157	0.0177
L1	0.45	0.50	0.55	0.0177	0.0197	0.0217

**Figure 6. Recommended footprint for QFN10 (1.8 x 1.4 x 0.5 mm) - 0.40 mm pitch**



AM07337

Figure 7. Carrier tape for QFN10 (1.8 x 1.4 x 0.5 mm)



AM07326



Figure 8. Reel information (front side) for QFN10 (1.8 x 1.4 x 0.5 mm)

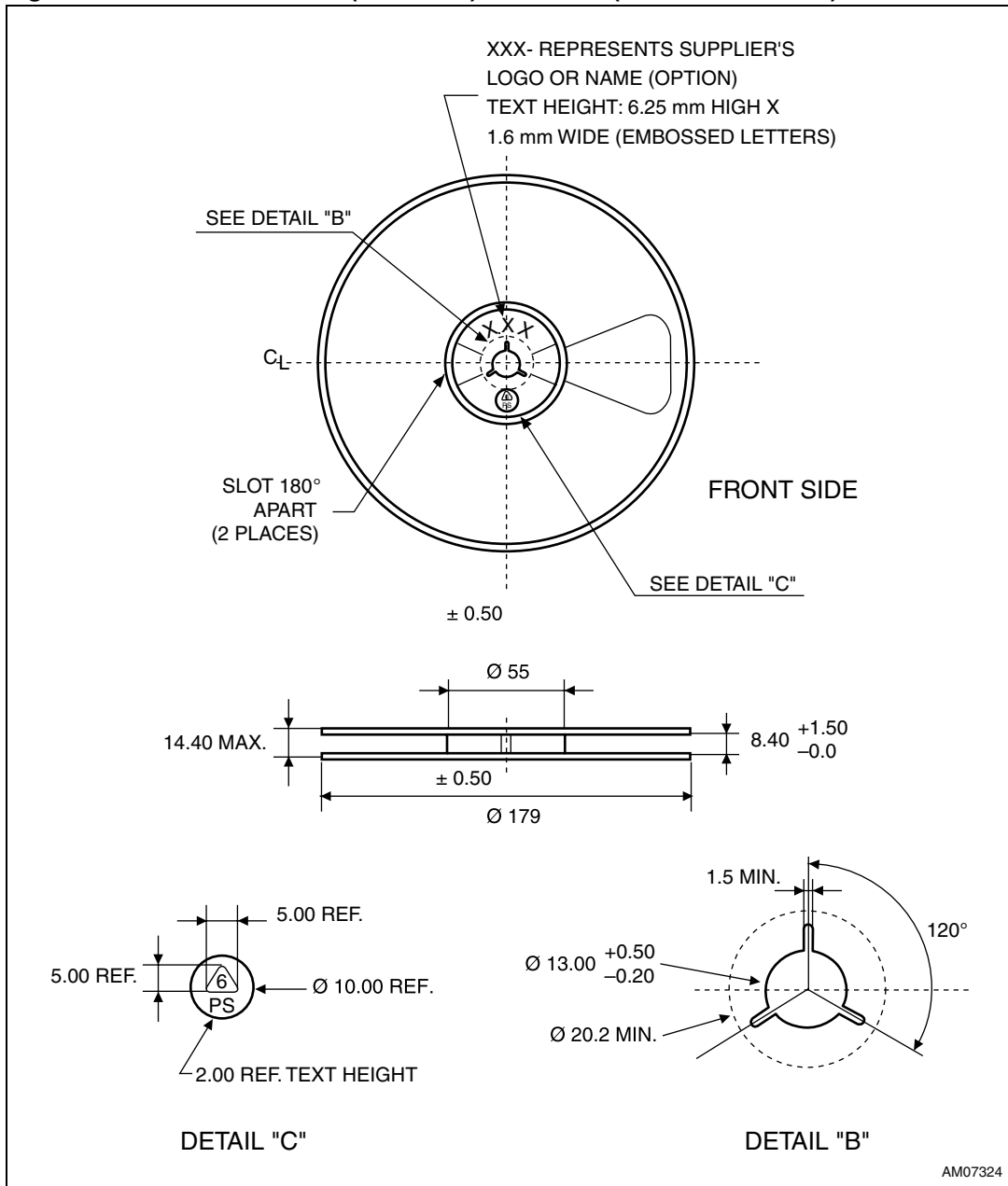
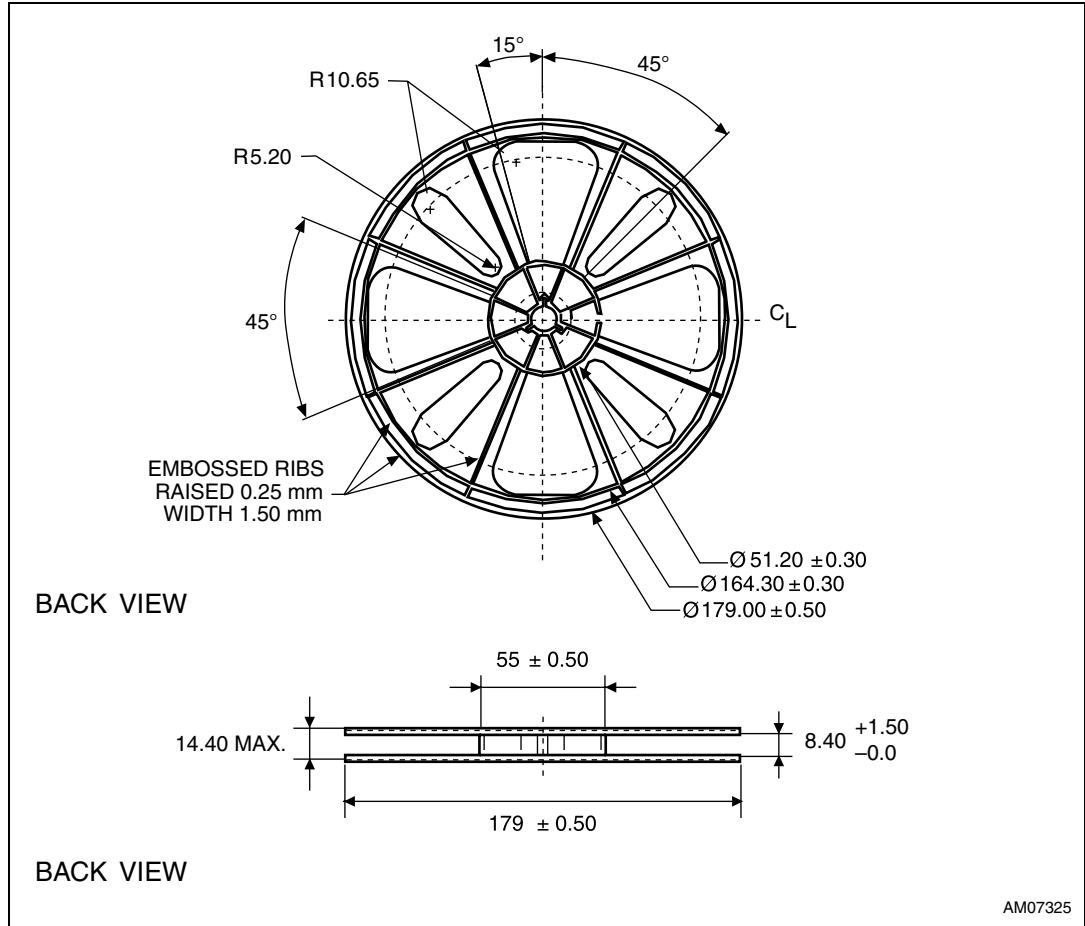
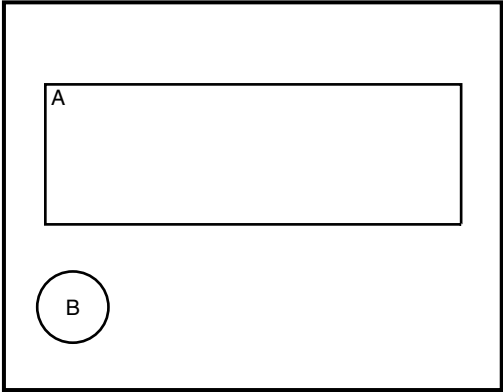


Figure 9. Reel information (back view) for QFN10 (1.8 x 1.4 x 0.5 mm)



## 9 Package marking information

**Table 8. Device topside marking information**

Step type marking		
Marking composition CD00155614 for V885 VFQFPN 10L 1.81 x 1.4 x 0.5 (pin1 dot at TLC)		
<p><b>PACKAGE FACE: TOP</b></p>  <p style="text-align: right; font-size: small;">AM07377</p>	<p><b>LEGEND</b></p> <ul style="list-style-type: none"> <li>■ Unmarkable surface</li> <li>□ Marking composition field</li> </ul> <p>A - 47862 - MARKING AREA (123)                      B - 47861 - DOT</p>	
<p><b>CODE</b> 47862</p>	<p><b>COMPOSN FLD TYPE</b> MARKING AREA</p>	<p><b>MARKING VALUE</b> U47</p>

## 10 Revision history

**Table 9. Document revision history**

Date	Revision	Changes
27-Oct-2010	1	Initial release.
26-Jan-2011	2	Updated <a href="#">Table 6</a> , corrected typo in <a href="#">Table 2</a> , <a href="#">Table 3</a> and <a href="#">Table 5</a> .

**Please Read Carefully:**

Information in this document is provided solely in connection with ST products. STMicroelectronics NV and its subsidiaries ("ST") reserve the right to make changes, corrections, modifications or improvements, to this document, and the products and services described herein at any time, without notice.

All ST products are sold pursuant to ST's terms and conditions of sale.

Purchasers are solely responsible for the choice, selection and use of the ST products and services described herein, and ST assumes no liability whatsoever relating to the choice, selection or use of the ST products and services described herein.

No license, express or implied, by estoppel or otherwise, to any intellectual property rights is granted under this document. If any part of this document refers to any third party products or services it shall not be deemed a license grant by ST for the use of such third party products or services, or any intellectual property contained therein or considered as a warranty covering the use in any manner whatsoever of such third party products or services or any intellectual property contained therein.

**UNLESS OTHERWISE SET FORTH IN ST'S TERMS AND CONDITIONS OF SALE ST DISCLAIMS ANY EXPRESS OR IMPLIED WARRANTY WITH RESPECT TO THE USE AND/OR SALE OF ST PRODUCTS INCLUDING WITHOUT LIMITATION IMPLIED WARRANTIES OF MERCHANTABILITY, FITNESS FOR A PARTICULAR PURPOSE (AND THEIR EQUIVALENTS UNDER THE LAWS OF ANY JURISDICTION), OR INFRINGEMENT OF ANY PATENT, COPYRIGHT OR OTHER INTELLECTUAL PROPERTY RIGHT.**

**UNLESS EXPRESSLY APPROVED IN WRITING BY AN AUTHORIZED ST REPRESENTATIVE, ST PRODUCTS ARE NOT RECOMMENDED, AUTHORIZED OR WARRANTED FOR USE IN MILITARY, AIR CRAFT, SPACE, LIFE SAVING, OR LIFE SUSTAINING APPLICATIONS, NOR IN PRODUCTS OR SYSTEMS WHERE FAILURE OR MALFUNCTION MAY RESULT IN PERSONAL INJURY, DEATH, OR SEVERE PROPERTY OR ENVIRONMENTAL DAMAGE. ST PRODUCTS WHICH ARE NOT SPECIFIED AS "AUTOMOTIVE GRADE" MAY ONLY BE USED IN AUTOMOTIVE APPLICATIONS AT USER'S OWN RISK.**

Resale of ST products with provisions different from the statements and/or technical features set forth in this document shall immediately void any warranty granted by ST for the ST product or service described herein and shall not create or extend in any manner whatsoever, any liability of ST.

ST and the ST logo are trademarks or registered trademarks of ST in various countries.

Information in this document supersedes and replaces all information previously supplied.

The ST logo is a registered trademark of STMicroelectronics. All other names are the property of their respective owners.

© 2011 STMicroelectronics - All rights reserved

STMicroelectronics group of companies

Australia - Belgium - Brazil - Canada - China - Czech Republic - Finland - France - Germany - Hong Kong - India - Israel - Italy - Japan - Malaysia - Malta - Morocco - Philippines - Singapore - Spain - Sweden - Switzerland - United Kingdom - United States of America

[www.st.com](http://www.st.com)



# AMEYA360

## Components Supply Platform

### Authorized Distribution Brand :



### Website :

Welcome to visit [www.ameya360.com](http://www.ameya360.com)

### Contact Us :

#### ➤ Address :

401 Building No.5, JiuGe Business Center, Lane 2301, Yishan Rd  
Minhang District, Shanghai , China

#### ➤ Sales :

Direct +86 (21) 6401-6692

Email [amall@ameya360.com](mailto:amall@ameya360.com)

QQ 800077892

Skype [ameyasales1](#) [ameyasales2](#)

#### ➤ Customer Service :

Email [service@ameya360.com](mailto:service@ameya360.com)

#### ➤ Partnership :

Tel +86 (21) 64016692-8333

Email [mkt@ameya360.com](mailto:mkt@ameya360.com)