

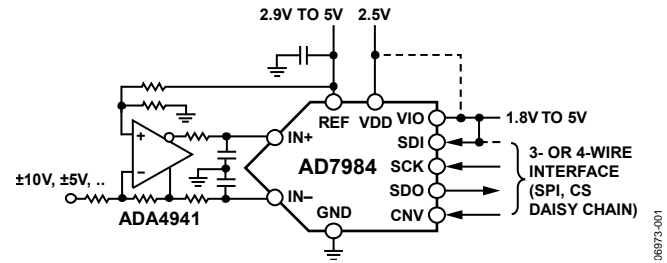
## FEATURES

- 18-bit resolution with no missing codes**
- Throughput: 1.33 MSPS**
- Low power dissipation: 10.5 mW at 1.33 MSPS**
- INL:  $\pm 2.25$  LSB maximum**
- Dynamic range: 99.7 dB typical**
- True differential analog input range:  $\pm V_{REF}$** 
  - 0 V to  $V_{REF}$  with  $V_{REF}$  between 2.9 V to 5.0 V**
  - Allows use of any input range**
  - Easy to drive with the [ADA4941](#)**
- No pipeline delay**
- Single-supply 2.5 V operation with 1.8 V/2.5 V/3 V/5 V logic interface**
- Proprietary serial interface**
  - SPI/QSPI/MICROWIRE™/DSP compatible**
- Ability to daisy-chain multiple ADCs and busy indicator**
- 10-lead MSOP (MSOP-8 size) and 10-lead 3 mm × 3 mm LFCSP, SOT-23 size**

## APPLICATIONS

- Battery-powered equipment**
- Data acquisition systems**
- Medical instruments**
- Seismic data acquisition systems**

## APPLICATION DIAGRAM



## GENERAL DESCRIPTION

The [AD7984](#)<sup>1</sup> is an 18-bit, successive approximation, analog-to-digital converter (ADC) that operates from a single power supply, VDD. It contains a low power, high speed, 18-bit sampling ADC and a versatile serial interface port. On the CNV rising edge, the [AD7984](#) samples the voltage difference between the IN+ and IN- pins. The voltages on these pins usually swing in opposite phases between 0 V and  $V_{REF}$ . The reference voltage, REF, is applied externally and can be set independent of the supply voltage, VDD.

The SPI-compatible serial interface also features the ability, using the SDI input, to daisy-chain several ADCs on a single 3-wire bus and provides an optional busy indicator. It is compatible with 1.8 V, 2.5 V, 3 V, and 5 V logic, using the separate VIO supply.

The [AD7984](#) is available in a 10-lead MSOP or a 10-lead LFCSP with operation specified from  $-40^{\circ}\text{C}$  to  $+85^{\circ}\text{C}$ .

<sup>1</sup> Protected by U.S. Patent 6,703,961.

Table 1. MSOP, LFCSP 14-/16-/18-Bit PuISAR® ADC

| Type   | 100 kSPS                 | 250 kSPS                            | 400 kSPS to 500 kSPS                | $\geq 1000$ kSPS                    | ADC Driver                |
|--------|--------------------------|-------------------------------------|-------------------------------------|-------------------------------------|---------------------------|
| 14-Bit | <a href="#">AD7940</a>   | <a href="#">AD7942</a> <sup>1</sup> | <a href="#">AD7946</a> <sup>1</sup> |                                     |                           |
| 16-Bit | <a href="#">AD7680</a>   | <a href="#">AD7685</a> <sup>1</sup> | <a href="#">AD7686</a> <sup>1</sup> | <a href="#">AD7980</a> <sup>1</sup> | <a href="#">ADA4941-x</a> |
|        | <a href="#">AD7683</a>   | <a href="#">AD7687</a> <sup>1</sup> | <a href="#">AD7688</a> <sup>1</sup> | <a href="#">AD7983</a> <sup>1</sup> | <a href="#">ADA4841-x</a> |
|        | <a href="#">AD7684</a>   | <a href="#">AD7694</a>              | <a href="#">AD7693</a> <sup>1</sup> |                                     |                           |
|        | <a href="#">AD7988-1</a> |                                     | <a href="#">AD7988-5</a>            |                                     |                           |
| 18-Bit | <a href="#">AD7989-1</a> | <a href="#">AD7691</a> <sup>1</sup> | <a href="#">AD7690</a> <sup>1</sup> | <a href="#">AD7982</a> <sup>1</sup> | <a href="#">ADA4941-x</a> |
|        |                          |                                     | <a href="#">AD7989-5</a>            | <a href="#">AD7984</a> <sup>1</sup> | <a href="#">ADA4841-x</a> |

<sup>1</sup> Pin-for-pin compatible.

## TABLE OF CONTENTS

|  |    |  |    |
|--|----|--|----|
| Features .....                                     | 1  | Driver Amplifier Choice .....                                    | 14 |
| Applications.....                                  | 1  | Single-to-Differential Driver .....                              | 15 |
| Application Diagram .....                          | 1  | Voltage Reference Input .....                                    | 15 |
| General Description .....                          | 1  | Power Supply.....  | 15 |
| Revision History .....                             | 2  | Digital Interface .....  | 16 |
| Specifications.....                                | 3  | $\overline{\text{CS}}$ Mode, 3-Wire Without Busy Indicator ..... | 17 |
| Timing Specifications .....                        | 5  | $\overline{\text{CS}}$ Mode, 3-Wire with Busy Indicator .....    | 18 |
| Absolute Maximum Ratings.....                      | 6  | $\overline{\text{CS}}$ Mode, 4-Wire Without Busy Indicator ..... | 19 |
| ESD Caution.....                                   | 6  | $\overline{\text{CS}}$ Mode, 4-Wire with Busy Indicator .....    | 20 |
| Pin Configurations and Function Descriptions ..... | 7  | Chain Mode Without Busy Indicator .....                          | 21 |
| Typical Performance Characteristics .....          | 8  | Chain Mode with Busy Indicator .....                             | 22 |
| Terminology .....                                  | 11 | Application Hints .....  | 23 |
| Theory of Operation .....                          | 12 | Layout .....   | 23 |
| Circuit Information.....                           | 12 | Evaluating the AD7984 Performance .....                          | 23 |
| Converter Operation.....                           | 12 | Outline Dimensions .....   | 24 |
| Typical Connection Diagram.....                    | 13 | Ordering Guide .....   | 24 |
| Analog Inputs.....                                 | 14 |  |    |

## REVISION HISTORY

### 7/14—Rev. A to Rev. B

|   |            |
|---|------------|
| Changed QFN (LFCSP) to LFCSP .....                        | Throughout |
| Changes to Features Section and Table 1 .....             | 1          |
| Added Patent Note, Note 1.....                            | 1          |
| Changes to Power Supply Section .....                     | 15         |
| Changes to Evaluating the AD7984 Performance Section..... | 23         |
| Updated Outline Dimensions .....                          | 24         |
| Changes to Ordering Guide .....                           | 24         |

### 8/10—Rev. 0 to Rev. A

|                                  |    |
|----------------------------------|----|
| Updated Outline Dimensions ..... | 24 |
| Changes to Ordering Guide .....  | 24 |

### 11/07—Revision 0: Initial Version

## SPECIFICATIONS

VDD = 2.5 V, VIO = 2.3 V to 5.5 V, REF = 5 V, TA = -40°C to +85°C, unless otherwise noted.

Table 2.

| Parameter                                    | Conditions                          | Min                           | Typ        | Max          | Unit             |
|--|-------------------------------------|-------------------------------|------------|--------------|------------------|
| RESOLUTION                                   |                                     | 18                            |            |              | Bits             |
| ANALOG INPUT                                 |                                     |                               |            |              |                  |
| Voltage Range                                | IN+ – IN–                           | –VREF                         |            | +VREF        | V                |
| Absolute Input Voltage                       | IN+, IN–                            | –0.1                          |            | VREF + 0.1   | V                |
| Common-Mode Input Range                      | IN+, IN–                            | VREF × 0.475                  | VREF × 0.5 | VREF × 0.525 | V                |
| Analog Input CMRR                            | fIN = 450 kHz                       |                               | 67         |              | dB <sup>1</sup>  |
| Leakage Current at 25°C                      | Acquisition phase                   |                               | 200        |              | nA               |
| Input Impedance                              |                                     | See the Analog Inputs section |            |              |                  |
| ACCURACY                                     |                                     |                               |            |              |                  |
| No Missing Codes                             |                                     | 18                            |            |              | Bits             |
| Differential Linearity Error                 |                                     | –1                            |            | +1.5         | LSB <sup>2</sup> |
| Integral Linearity Error                     |                                     | –2.25                         |            | +2.25        | LSB <sup>2</sup> |
| Transition Noise                             |                                     |                               | 0.95       |              | LSB <sup>2</sup> |
| Gain Error, TMIN to TMAX <sup>3</sup>        |                                     | –0.075                        | ±0.022     | +0.075       | % of FS          |
| Gain Error Temperature Drift                 |                                     |                               | –0.6       |              | ppm/°C           |
| Zero Error, TMIN to TMAX <sup>3</sup>        |                                     | –700                          | ±100       | +700         | μV               |
| Zero Temperature Drift                       |                                     |                               | 0.3        |              | ppm/°C           |
| Power Supply Sensitivity                     | VDD = 2.5 V ± 5%                    |                               | 90         |              | dB <sup>1</sup>  |
| THROUGHPUT                                   |                                     |                               |            |              |                  |
| Conversion Rate                              |                                     | 0                             |            | 1.33         | MSPS             |
| Transient Response                           | Full-scale step                     |                               |            | 290          | ns               |
| AC ACCURACY                                  |                                     |                               |            |              |                  |
| Dynamic Range                                | VREF = 5 V                          |                               | 99.7       |              | dB <sup>1</sup>  |
| Signal-to-Noise, SNR                         | fIN = 1 kHz, VREF = 5 V, TA = 25°C  | 96.5                          | 98.5       |              | dB <sup>1</sup>  |
| Spurious-Free Dynamic Range, SFDR            | fIN = 10 kHz                        |                               | 112.5      |              | dB <sup>1</sup>  |
| Total Harmonic Distortion <sup>4</sup> , THD | fIN = 10 kHz                        |                               | –110.5     |              | dB <sup>1</sup>  |
| Signal-to-(Noise + Distortion), SINAD        | fIN = 10 kHz, VREF = 5 V, TA = 25°C |                               | 98         |              | dB <sup>1</sup>  |

<sup>1</sup> All specifications expressed in decibels are referred to a full-scale input FSR and tested with an input signal at 0.5 dB below full scale, unless otherwise specified.

<sup>2</sup> LSB means least significant bit. With the ±5 V input range, one LSB is 38.15 μV.

<sup>3</sup> See Terminology section. These specifications include full temperature range variation but not the error contribution from the external reference.

<sup>4</sup> Tested fully in production at fIN = 1 kHz.

VDD = 2.5 V, VIO = 2.3 V to 5.5 V, REF = 5 V, TA = -40°C to +85°C, unless otherwise noted.

Table 3.

| Parameter                      | Conditions                           | Min   | Typ  | Max        | Unit      |
|--------------------------------|--------------------------------------|---|------|------------|-----------|
| REFERENCE                      |                                      |   |      |            |           |
| Voltage Range                  |                                      | 2.9   |      | 5.1        | V         |
| Load Current                   | 1.33 MSPS                            |   | 520  |            | μA        |
| SAMPLING DYNAMICS              |                                      |   |      |            |           |
| -3 dB Input Bandwidth          |                                      |   | 10   |            | MHz       |
| Aperture Delay                 |                                      |   | 2    |            | ns        |
| DIGITAL INPUTS                 |                                      |   |      |            |           |
| Logic Levels                   |                                      |   |      |            |           |
| V <sub>IL</sub>                | VIO > 3 V                            | -0.3  |      | +0.3 × VIO | V         |
| V <sub>IH</sub>                | VIO > 3 V                            | 0.7 × VIO   |      | VIO + 0.3  | V         |
| V <sub>IL</sub>                | VIO ≤ 3 V                            | -0.3  |      | +0.1 × VIO | V         |
| V <sub>IH</sub>                | VIO ≤ 3 V                            | 0.9 × VIO   |      | VIO + 0.3  | V         |
| I <sub>IL</sub>                |                                      | -1  |      | +1         | μA        |
| I <sub>IH</sub>                |                                      | -1  |      | +1         | μA        |
| DIGITAL OUTPUTS                |                                      |   |      |            |           |
| Data Format                    |                                      | Serial 18 bits, twos complement                                     |      |            |           |
| Pipeline Delay                 |                                      | Conversion results available immediately after completed conversion |      |            |           |
| V <sub>OL</sub>                | I <sub>SINK</sub> = +500 μA          |   |      | 0.4        | V         |
| V <sub>OH</sub>                | I <sub>SOURCE</sub> = -500 μA        | VIO - 0.3   |      |            | V         |
| POWER SUPPLIES                 |                                      |   |      |            |           |
| VDD                            |                                      | 2.375   | 2.5  | 2.625      | V         |
| VIO                            | Specified performance                | 2.3   |      | 5.5        | V         |
| VIO Range                      |                                      | 1.8   |      | 5.5        | V         |
| Standby Current <sup>1,2</sup> | VDD and VIO = 2.5 V                  |   | 1.1  |            | mA        |
| Power Dissipation              | 1.33 MSPS throughput                 |   | 10.5 | 14         | mW        |
| Energy per Conversion          |                                      |   | 7.9  |            | nJ/sample |
| TEMPERATURE RANGE <sup>3</sup> |                                      |   |      |            |           |
| Specified Performance          | T <sub>MIN</sub> to T <sub>MAX</sub> | -40   |      | +85        | °C        |

<sup>1</sup> With all digital inputs forced to VIO or GND as required.

<sup>2</sup> During acquisition phase.

<sup>3</sup> Contact an Analog Devices, Inc., sales representative for the extended temperature range.

**TIMING SPECIFICATIONS**

$T_A = -40^{\circ}\text{C}$  to  $+85^{\circ}\text{C}$ ,  $V_{DD} = 2.37\text{ V}$  to  $2.63\text{ V}$ ,  $V_{IO} = 2.3\text{ V}$  to  $5.5\text{ V}$ , unless otherwise noted.<sup>1</sup>

**Table 4.**

| Parameter  | Symbol         | Min  | Typ | Max | Unit |
|--|----------------|------|-----|-----|------|
| Conversion Time: CNV Rising Edge to Data Available                                     | $t_{CONV}$     | 300  |     | 500 | ns   |
| Acquisition Time   | $t_{ACQ}$      | 250  |     |     | ns   |
| Time Between Conversions   | $t_{CYC}$      | 750  |     |     | ns   |
| CNV Pulse Width ( $\overline{CS}$ Mode)  | $t_{CNVH}$     | 10   |     |     | ns   |
| SCK Period ( $\overline{CS}$ Mode)   | $t_{SCK}$      |      |     |     |      |
| VIO Above 4.5 V  |                | 10.5 |     |     | ns   |
| VIO Above 3 V  |                | 12   |     |     | ns   |
| VIO Above 2.7 V  |                | 13   |     |     | ns   |
| VIO Above 2.3 V  |                | 15   |     |     | ns   |
| SCK Period (Chain Mode)  | $t_{SCK}$      |      |     |     |      |
| VIO Above 4.5 V  |                | 11.5 |     |     | ns   |
| VIO Above 3 V  |                | 13   |     |     | ns   |
| VIO Above 2.7 V  |                | 14   |     |     | ns   |
| VIO Above 2.3 V  |                | 16   |     |     | ns   |
| SCK Low Time   | $t_{SCKL}$     | 4.5  |     |     | ns   |
| SCK High Time  | $t_{SCKH}$     | 4.5  |     |     | ns   |
| SCK Falling Edge to Data Remains Valid   | $t_{HSDO}$     | 3    |     |     | ns   |
| SCK Falling Edge to Data Valid Delay   | $t_{DSDO}$     |      |     |     |      |
| VIO Above 4.5 V  |                |      |     | 9.5 | ns   |
| VIO Above 3 V  |                |      |     | 11  | ns   |
| VIO Above 2.7 V  |                |      |     | 12  | ns   |
| VIO Above 2.3 V  |                |      |     | 14  | ns   |
| CNV or SDI Low to SDO D15 MSB Valid ( $\overline{CS}$ Mode)                            | $t_{EN}$       |      |     |     |      |
| VIO Above 3 V  |                |      |     | 10  | ns   |
| VIO Above 2.3 V  |                |      |     | 15  | ns   |
| CNV or SDI High or Last SCK Falling Edge to SDO High Impedance ( $\overline{CS}$ Mode) | $t_{DIS}$      |      |     | 20  | ns   |
| SDI Valid Setup Time from CNV Rising Edge  | $t_{SSDICNV}$  | 5    |     |     | ns   |
| SDI Valid Hold Time from CNV Rising Edge ( $\overline{CS}$ Mode)                       | $t_{HSDICNV}$  | 2    |     |     | ns   |
| SDI Valid Hold Time from CNV Rising Edge (Chain Mode)                                  | $t_{HSDICNV}$  | 0    |     |     | ns   |
| SCK Valid Setup Time from CNV Rising Edge (Chain Mode)                                 | $t_{SSCKCNV}$  | 5    |     |     | ns   |
| SCK Valid Hold Time from CNV Rising Edge (Chain Mode)                                  | $t_{HSCCKCNV}$ | 5    |     |     | ns   |
| SDI Valid Setup Time from SCK Falling Edge (Chain Mode)                                | $t_{SSDISCK}$  | 2    |     |     | ns   |
| SDI Valid Hold Time from SCK Falling Edge (Chain Mode)                                 | $t_{HSDISCK}$  | 3    |     |     | ns   |
| SDI High to SDO High (Chain Mode with Busy Indicator)                                  | $t_{DSDOSDI}$  |      |     | 15  | ns   |

<sup>1</sup> See Figure 2 and Figure 3 for load conditions.

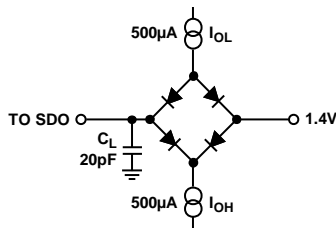
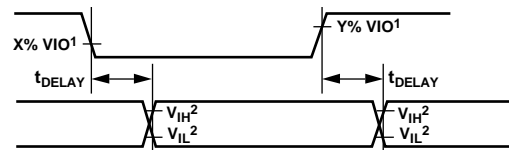


Figure 2. Load Circuit for Digital Interface Timing



<sup>1</sup>FOR  $V_{IO} \leq 3.0\text{V}$ ,  $X = 90$ , AND  $Y = 10$ ; FOR  $V_{IO} > 3.0\text{V}$ ,  $X = 70$ , AND  $Y = 30$ .  
<sup>2</sup>MINIMUM  $V_{IH}$  AND MAXIMUM  $V_{IL}$  USED. SEE DIGITAL INPUTS SPECIFICATIONS IN TABLE 3.

Figure 3. Voltage Levels for Timing

## ABSOLUTE MAXIMUM RATINGS

Table 5.

| Parameter                                     | Rating   |
|---|--|
| Analog Inputs<br>IN+, IN- to GND <sup>1</sup> | -0.3 V to $V_{REF} + 0.3$ V<br>or $\pm 130$ mA |
| Supply Voltage<br>REF, VIO to GND             | -0.3 V to +6.0 V                               |
| VDD to GND                                    | -0.3 V to +3.0 V                               |
| VDD to VIO                                    | +3 V to -6 V                                   |
| Digital Inputs to GND                         | -0.3 V to VIO + 0.3 V                          |
| Digital Outputs to GND                        | -0.3 V to VIO + 0.3 V                          |
| Storage Temperature Range                     | -65°C to +150°C                                |
| Junction Temperature                          | 150°C  |
| $\theta_{JA}$ Thermal Impedance               |  |
| 10-Lead MSOP                                  | 200°C/W  |
| 10-Lead LFCSP                                 | 48.7°C/W                                       |
| $\theta_{JC}$ Thermal Impedance               |  |
| 10-Lead MSOP                                  | 44°C/W   |
| 10-Lead LFCSP                                 | 2.96°C/W                                       |
| Lead Temperatures                             |  |
| Vapor Phase (60 sec)                          | 215°C  |
| Infrared (15 sec)                             | 220°C  |

<sup>1</sup> See the Analog Inputs section for an explanation of IN+ and IN-.

Stresses above those listed under Absolute Maximum Ratings may cause permanent damage to the device. This is a stress rating only; functional operation of the device at these or any other conditions above those indicated in the operational section of this specification is not implied. Exposure to absolute maximum rating conditions for extended periods may affect device reliability.

### ESD CAUTION



**ESD (electrostatic discharge) sensitive device.** Charged devices and circuit boards can discharge without detection. Although this product features patented or proprietary protection circuitry, damage may occur on devices subjected to high energy ESD. Therefore, proper ESD precautions should be taken to avoid performance degradation or loss of functionality.

## PIN CONFIGURATIONS AND FUNCTION DESCRIPTIONS

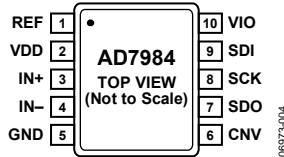
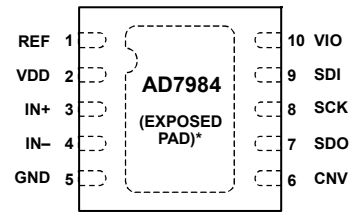


Figure 4. 10-Lead MSOP Pin Configuration



\*EXPOSED PADDLE CAN BE CONNECTED TO GROUND.

Figure 5. 10-Lead LFCSP Pin Configuration

Table 6. Pin Function Descriptions

| Pin No. | Mnemonic | Type <sup>1</sup> | Description   |
|---------|----------|-------------------|---|
| 1       | REF      | AI                | Reference Input Voltage. The REF range is 2.9 V to 5.1 V. This pin is referred to the GND pin and should be decoupled closely to the GND pin with a 10 $\mu$ F capacitor.   |
| 2       | VDD      | P                 | Power Supply.   |
| 3       | IN+      | AI                | Differential Positive Analog Input.   |
| 4       | IN-      | AI                | Differential Negative Analog Input.   |
| 5       | GND      | P                 | Power Supply Ground.  |
| 6       | CNV      | DI                | Convert Input. This input has multiple functions. On its rising edge, it initiates the conversions and selects the interface mode of the part: chain mode or $\overline{CS}$ mode. In $\overline{CS}$ mode, the SDO pin is enabled when CNV is low. In chain mode, the data should be read when CNV is high.  |
| 7       | SDO      | DO                | Serial Data Output. The conversion result is output on this pin. It is synchronized to SCK.   |
| 8       | SCK      | DI                | Serial Data Clock Input. When the part is selected, the conversion result is shifted out by this clock.   |
| 9       | SDI      | DI                | Serial Data Input. This input provides multiple features. It selects the interface mode of the ADC as follows:<br>Chain mode is selected if SDI is low during the CNV rising edge. In this mode, SDI is used as a data input to daisy-chain the conversion results of two or more ADCs onto a single SDO line. The digital data level on SDI is output on SDO with a delay of 18 SCK cycles.<br>$\overline{CS}$ mode is selected if SDI is high during the CNV rising edge. In this mode, either SDI or CNV can enable the serial output signals when low. If SDI or CNV is low when the conversion is complete, the busy indicator feature is enabled. |
| 10      | VIO      | P                 | Input/Output Interface Digital Power. Nominally at the same supply as the host interface (1.8 V, 2.5 V, 3 V, or 5 V).   |

<sup>1</sup> AI = analog input, DI = digital input, DO = digital output, and P = power.

# TYPICAL PERFORMANCE CHARACTERISTICS

VDD = 2.5 V, REF = 5.0 V, VIO = 3.3 V.

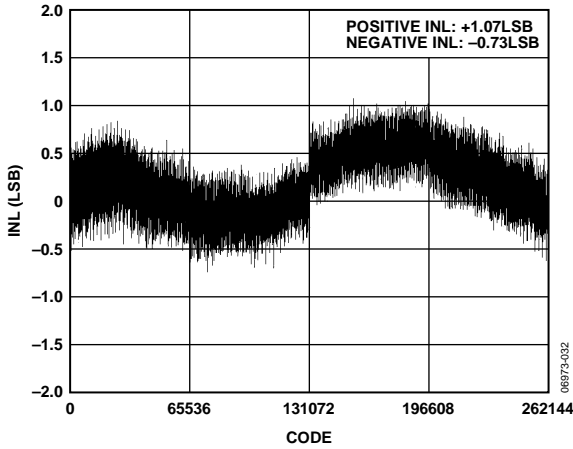


Figure 6. Integral Nonlinearity vs. Code

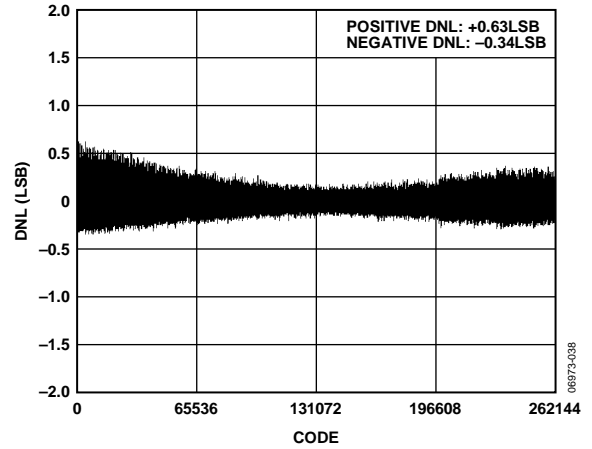


Figure 9. Differential Nonlinearity vs. Code

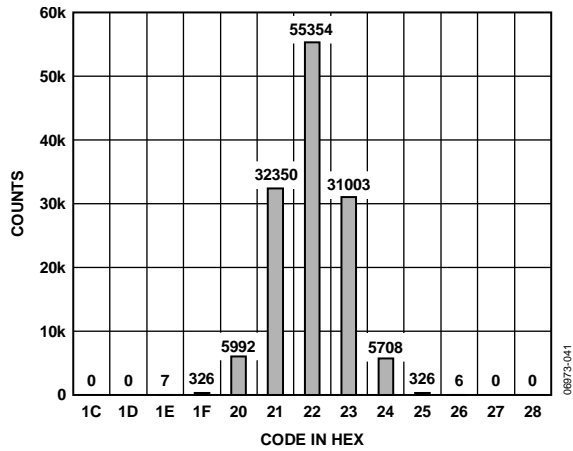


Figure 7. Histogram of a DC Input at the Code Center

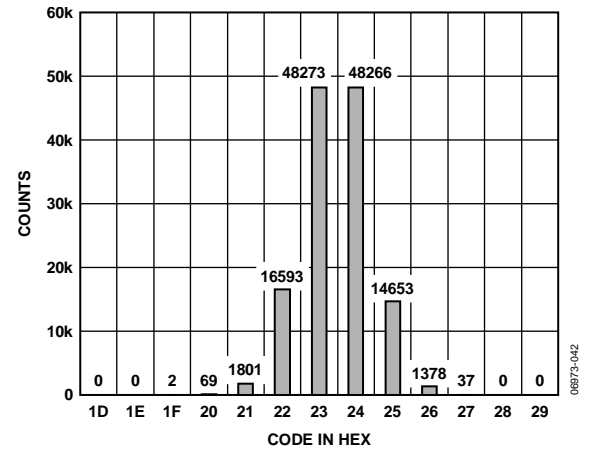


Figure 10. Histogram of a DC Input at the Code Transition

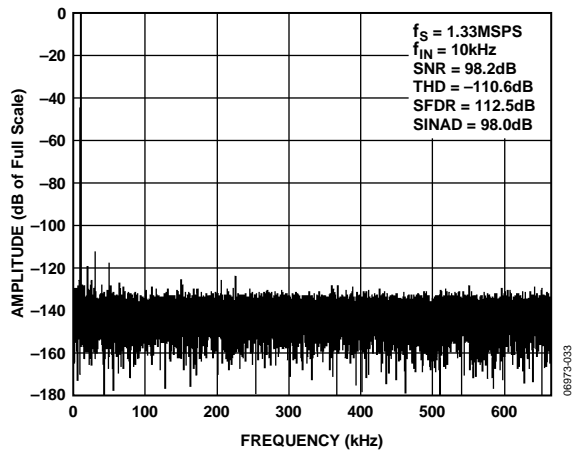


Figure 8. FFT Plot

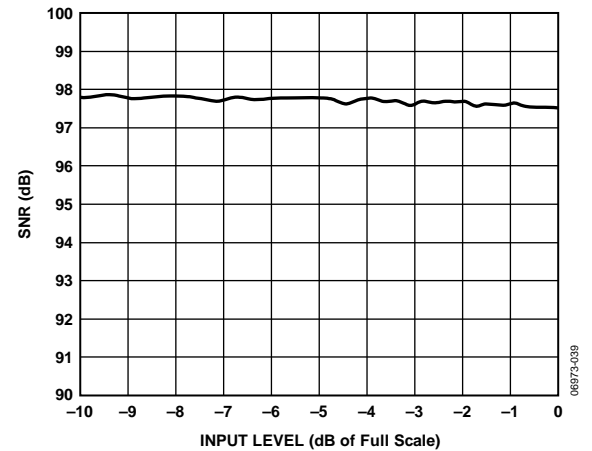


Figure 11. SNR vs. Input Level



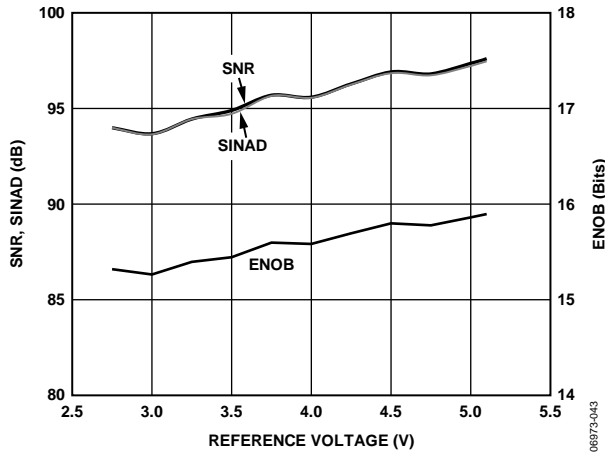


Figure 12. SNR, SINAD, and ENOB vs. Reference Voltage

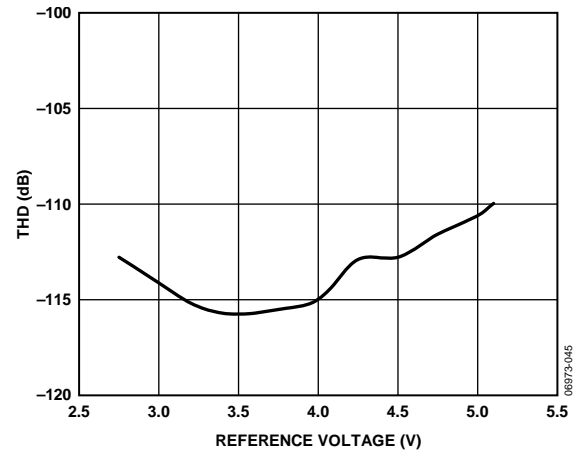


Figure 15. THD vs. Reference Voltage

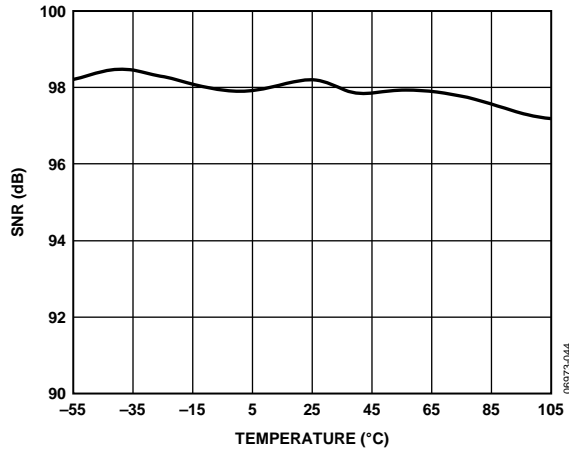


Figure 13. SNR vs. Temperature

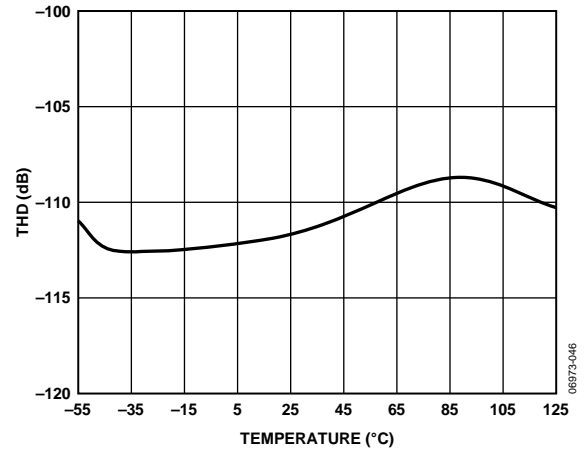


Figure 16. THD vs. Temperature

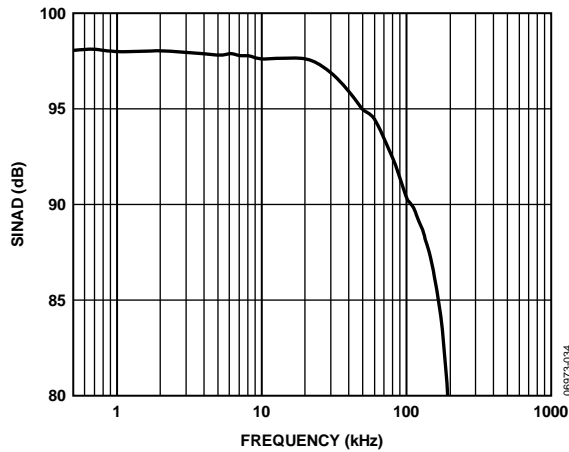


Figure 14. SINAD vs. Frequency

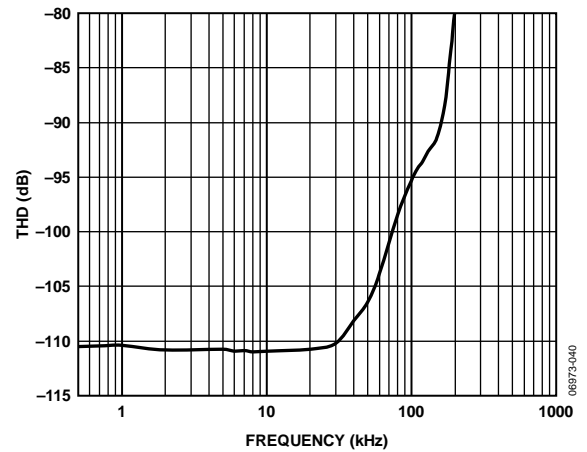


Figure 17. THD vs. Frequency

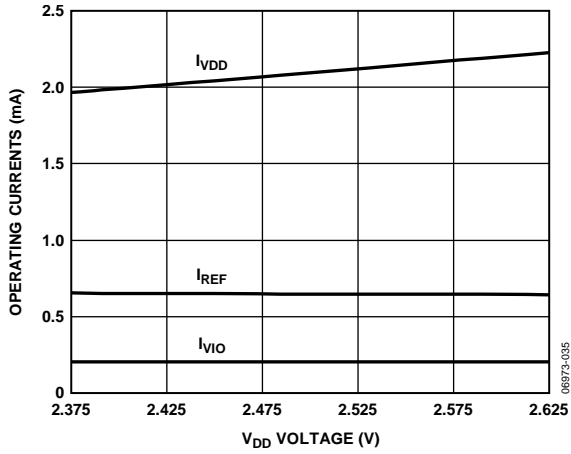


Figure 18. Operating Currents vs. Supply

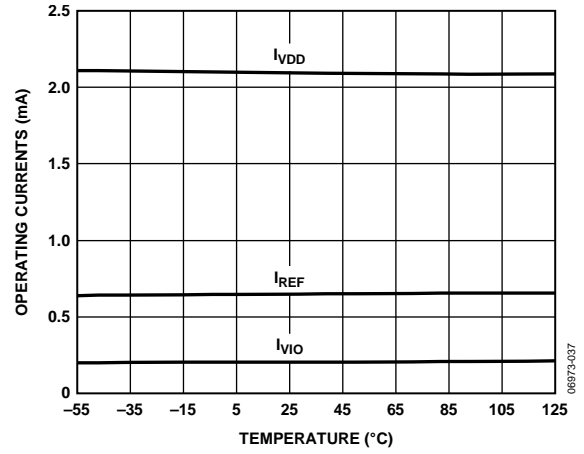


Figure 20. Operating Currents vs. Temperature

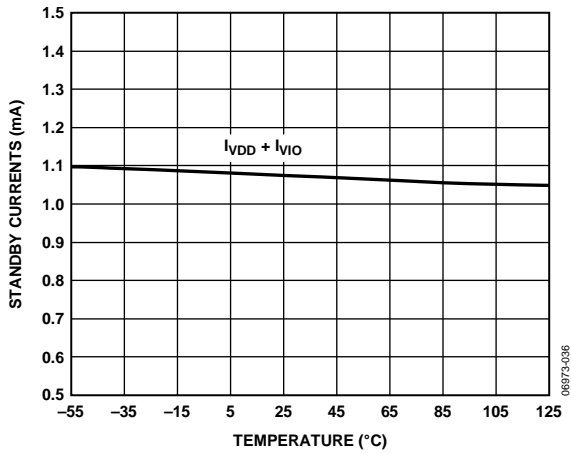


Figure 19. Standby Currents vs. Temperature

## TERMINOLOGY

### Integral Nonlinearity Error (INL)

INL refers to the deviation of each individual code from a line drawn from negative full scale through positive full scale. The point used as negative full scale occurs  $\frac{1}{2}$  LSB before the first code transition. Positive full scale is defined as a level  $1\frac{1}{2}$  LSB beyond the last code transition. The deviation is measured from the middle of each code to the true straight line (see Figure 22).

### Differential Nonlinearity Error (DNL)

In an ideal ADC, code transitions are 1 LSB apart. DNL is the maximum deviation from this ideal value. It is often specified in terms of resolution for which no missing codes are guaranteed.

### Zero Error

Zero error is the difference between the ideal midscale voltage, that is, 0 V, from the actual voltage producing the midscale output code, that is, 0 LSB.

### Gain Error

The first transition (from 100 ... 00 to 100 ... 01) should occur at a level  $\frac{1}{2}$  LSB above nominal negative full scale ( $-4.999981$  V for the  $\pm 5$  V range). The last transition (from 011 ... 10 to 011 ... 11) should occur for an analog voltage  $\frac{1}{2}$  LSB below the nominal full scale ( $+4.999943$  V for the  $\pm 5$  V range). The gain error is the deviation of the difference between the actual level of the last transition and the actual level of the first transition from the difference between the ideal levels.

### Spurious-Free Dynamic Range (SFDR)

SFDR is the difference, in decibels (dB), between the rms amplitude of the input signal and the peak spurious signal.

### Effective Number of Bits (ENOB)

ENOB is a measurement of the resolution with a sine wave input. It is related to SINAD as follows:

$$ENOB = (SINAD_{dB} - 1.76)/6.02$$

and is expressed in bits.

### Noise-Free Code Resolution

Noise-free code resolution is the number of bits beyond which it is impossible to distinctly resolve individual codes. It is calculated as

$$\text{Noise-Free Code Resolution} = \log_2(2^N / \text{Peak-to-Peak Noise})$$

and is expressed in bits.

### Effective Resolution

Effective resolution is calculated as

$$\text{Effective Resolution} = \log_2(2^N / \text{RMS Input Noise})$$

and is expressed in bits.

### Total Harmonic Distortion (THD)

THD is the ratio of the rms sum of the first five harmonic components to the rms value of a full-scale input signal and is expressed in decibels.

### Dynamic Range

Dynamic range is the ratio of the rms value of the full scale to the total rms noise measured with the inputs shorted together. The value for dynamic range is expressed in decibels. It is measured with a signal at  $-60$  dBFS so that it includes all noise sources and DNL artifacts.

### Signal-to-Noise Ratio (SNR)

SNR is the ratio of the rms value of the actual input signal to the rms sum of all other spectral components below the Nyquist frequency, excluding harmonics and dc. The value for SNR is expressed in decibels.

### Signal-to-(Noise + Distortion) Ratio (SINAD)

SINAD is the ratio of the rms value of the actual input signal to the rms sum of all other spectral components that are less than the Nyquist frequency, including harmonics but excluding dc. The value of SINAD is expressed in decibels.

### Aperture Delay

Aperture delay is the measurement of the acquisition performance and is the time between the rising edge of the CNV input and when the input signal is held for a conversion.

### Transient Response

Transient response is the time required for the ADC to accurately acquire its input after a full-scale step function is applied.

## THEORY OF OPERATION

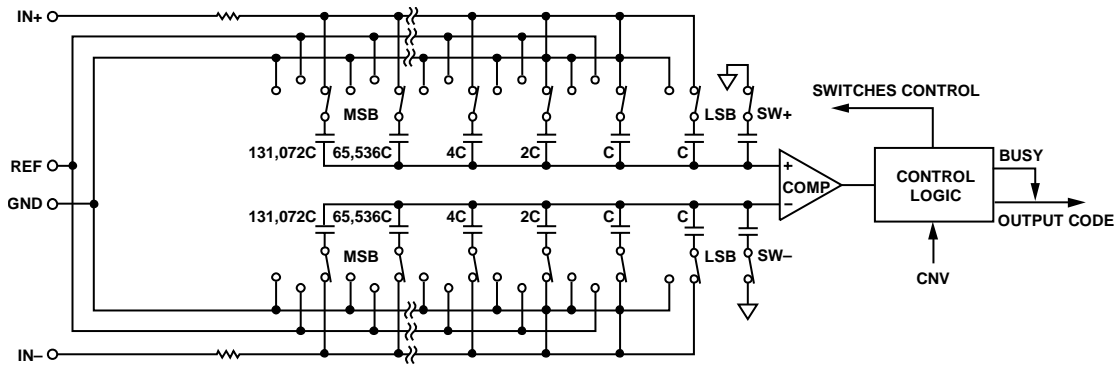


Figure 21. ADC Simplified Schematic

### CIRCUIT INFORMATION

The [AD7984](#) is a fast, low power, single-supply, precise, 18-bit ADC using a successive approximation architecture and is capable of converting 1,330,000 samples per second (1.33 MSPS).

The [AD7984](#) provides the user with an on-chip track-and-hold and does not exhibit any pipeline delay or latency, making it ideal for multiple multiplexed channel applications.

The [AD7984](#) can be interfaced to any 1.8 V to 5 V digital logic family. It is available in a 10-lead MSOP or a tiny 10-lead LFCSP that allows space savings and flexible configurations.

It is pin-for-pin-compatible with the 18-bit [AD7982](#).

### CONVERTER OPERATION

The [AD7984](#) is a successive approximation ADC based on a charge redistribution DAC. Figure 21 shows the simplified schematic of the ADC. The capacitive DAC consists of two identical arrays of 18 binary-weighted capacitors, which are connected to the two comparator inputs.

During the acquisition phase, terminals of the array tied to the input of the comparator are connected to GND via SW+ and SW-. All independent switches are connected to the analog inputs. Therefore, the capacitor arrays are used as sampling capacitors and acquire the analog signal on the IN+ and IN- inputs. When the acquisition phase is complete and the CNV input goes high, a conversion phase is initiated. When the conversion phase begins, SW+ and SW- are opened first. The two capacitor arrays are then disconnected from the inputs and connected to the GND input. Therefore, the differential voltage between the inputs IN+ and IN- captured at the end of the acquisition phase is applied to the comparator inputs, causing the comparator to become unbalanced. By switching each element of the capacitor array between GND and REF, the comparator input varies by binary-weighted voltage steps ( $V_{REF}/2, V_{REF}/4 \dots V_{REF}/262,144$ ). The control logic toggles these switches, starting with the MSB, to bring the comparator back into a balanced condition. After the completion of this process, the part returns to the acquisition phase, and the control logic generates the ADC output code and a busy signal indicator.

Because the [AD7984](#) has an on-board conversion clock, the serial clock, SCK, is not required for the conversion process.

06973-011

**Transfer Functions**

The ideal transfer characteristic for the AD7984 is shown in Figure 22 and Table 7.

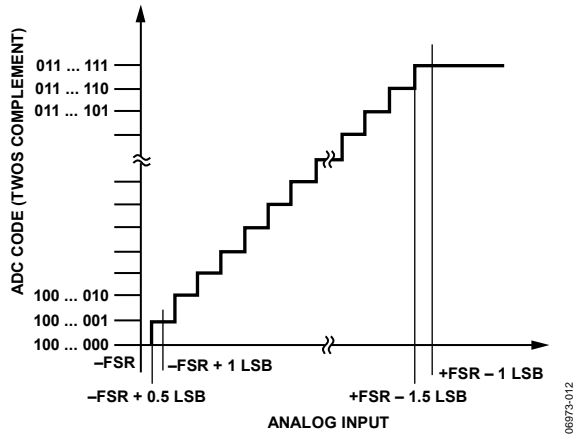


Figure 22. ADC Ideal Transfer Function

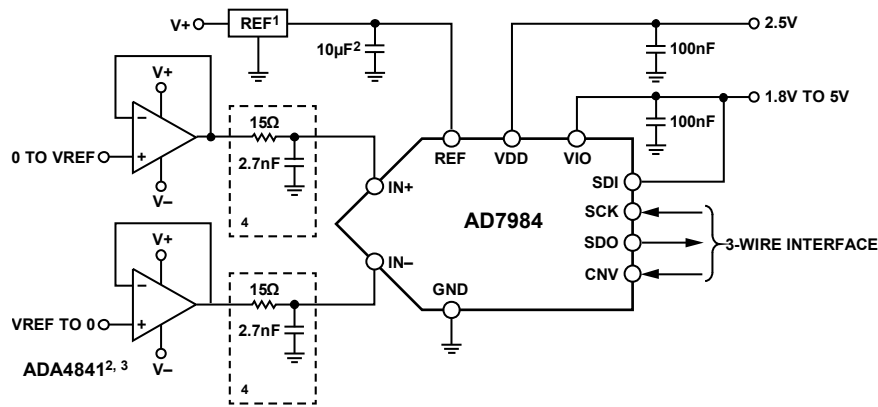
Table 7. Output Codes and Ideal Input Voltages

| Description      | Analog Input<br>$V_{REF} = 5\text{ V}$ | Digital Output<br>Code (Hex) |
|------------------|--|------------------------------|
| FSR - 1 LSB      | +4.999962 V                            | 0x1FFFF <sup>1</sup>         |
| Midscale + 1 LSB | +38.15 $\mu\text{V}$                   | 0x00001                      |
| Midscale         | 0 V                                    | 0x00000                      |
| Midscale - 1 LSB | -38.15 $\mu\text{V}$                   | 0x3FFFF                      |
| -FSR + 1 LSB     | -4.999962 V                            | 0x20001                      |
| -FSR             | -5 V                                   | 0x20000 <sup>2</sup>         |

<sup>1</sup> This is also the code for an overranged analog input ( $V_{IN+} - V_{IN-}$  above  $V_{REF} - V_{GND}$ ).  
<sup>2</sup> This is also the code for an underranged analog input ( $V_{IN+} - V_{IN-}$  below  $V_{GND}$ ).

**TYPICAL CONNECTION DIAGRAM**

Figure 23 shows an example of the recommended connection diagram for the AD7984 when multiple supplies are available.



- NOTES**
- <sup>1</sup>SEE VOLTAGE REFERENCE INPUT SECTION FOR REFERENCE SELECTION.
  - <sup>2</sup> $C_{REF}$  IS USUALLY A 10 $\mu\text{F}$  CERAMIC CAPACITOR (X5R).
  - SEE RECOMMENDED LAYOUT IN FIGURE 40 AND FIGURE 41.
  - <sup>3</sup>SEE DRIVER AMPLIFIER CHOICE SECTION.
  - <sup>4</sup>OPTIONAL FILTER. SEE ANALOG INPUTS SECTION.

Figure 23. Typical Application Diagram with Multiple Supplies

## ANALOG INPUTS

Figure 24 shows an equivalent circuit of the input structure of the AD7984.

The two diodes, D1 and D2, provide ESD protection for the analog inputs, IN+ and IN-. Care must be taken to ensure that the analog input signal does not exceed the reference input voltage (REF) by more than 0.3 V. If the analog input signal exceeds this level, the diodes become forward-biased and start conducting current. These diodes can handle a forward-biased current of 130 mA maximum. However, if the supplies of the input buffer (for example, the supplies of the ADA4841 in Figure 23) are different from those of REF, the analog input signal may eventually exceed the supply rails by more than 0.3 V. In such a case (for example, an input buffer with a short-circuit), the current limitation can be used to protect the part.

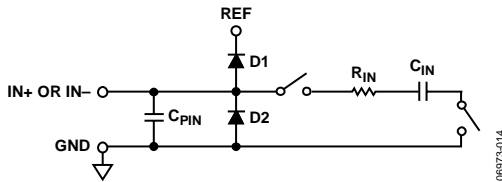


Figure 24. Equivalent Analog Input Circuit

The analog input structure allows the sampling of the true differential signal between IN+ and IN-. By using these differential inputs, signals common to both inputs are rejected.

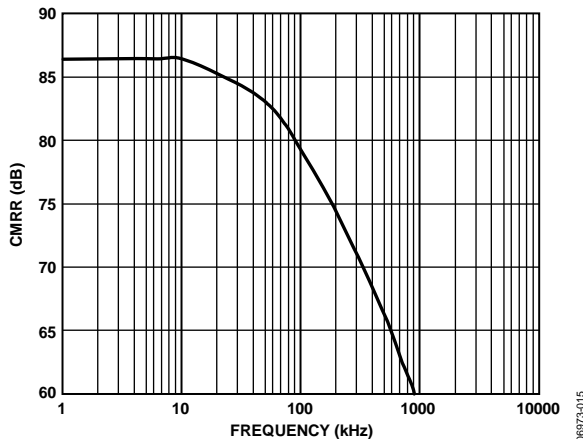


Figure 25. Analog Input CMRR vs. Frequency

During the acquisition phase, the impedance of the analog inputs (IN+ or IN-) can be modeled as a parallel combination of capacitor,  $C_{PIN}$ , and the network formed by the series connection of  $R_{IN}$  and  $C_{IN}$ .  $C_{PIN}$  is primarily the pin capacitance.  $R_{IN}$  is typically 400  $\Omega$  and is a lumped component composed of serial resistors and the on resistance of the switches.  $C_{IN}$  is typically 30 pF and is mainly the ADC sampling capacitor.

During the sampling phase, where the switches are closed, the input impedance is limited to  $C_{PIN}$ .  $R_{IN}$  and  $C_{IN}$  make a 1-pole, low-pass filter that reduces undesirable aliasing effects and limits noise.

When the source impedance of the driving circuit is low, the AD7984 can be driven directly. Large source impedances significantly affect the ac performance, especially THD. The dc performances are less sensitive to the input impedance. The maximum source impedance depends on the amount of THD that can be tolerated. The THD degrades as a function of the source impedance and the maximum input frequency.

## DRIVER AMPLIFIER CHOICE

Although the AD7984 is easy to drive, the driver amplifier must meet the following requirements:

- The noise generated by the driver amplifier must be kept as low as possible to preserve the SNR and transition noise performance of the AD7984. The noise from the driver is filtered by the AD7984 analog input circuit's 1-pole, low-pass filter made by  $R_{IN}$  and  $C_{IN}$  or by the external filter, if one is used. Because the typical noise of the AD7984 is 36.24  $\mu\text{V}$  rms, the SNR degradation due to the amplifier is

$$SNR_{LOSS} = 20 \log \left( \frac{36.24}{\sqrt{36.24^2 + \frac{\pi}{2} f_{-3dB} (Ne_N)^2}} \right)$$

where:

$f_{-3dB}$  is the input bandwidth, in megahertz, of the AD7984 (10 MHz) or the cutoff frequency of the input filter, if one is used.

$N$  is the noise gain of the amplifier (for example, 1 in buffer configuration).

$e_N$  is the equivalent input noise voltage of the op amp, in  $\text{nV}/\sqrt{\text{Hz}}$ .

- For ac applications, the driver should have a THD performance commensurate with the AD7984.
- For multichannel multiplexed applications, the driver amplifier and the AD7984 analog input circuit must settle for a full-scale step onto the capacitor array at an 18-bit level (0.0004%, 4 ppm). In the data sheet of the amplifier, settling at 0.1% to 0.01% is more commonly specified. This may differ significantly from the settling time at an 18-bit level and should be verified prior to driver selection.

Table 8. Recommended Driver Amplifiers

| Amplifier      | Typical Application                              |
|----------------|--|
| ADA4941-x      | Very low noise, low power single-to-differential |
| ADA4841-x      | Very low noise, small, and low power             |
| AD8021         | Very low noise and high frequency                |
| AD8022         | Low noise and high frequency                     |
| OP184          | Low power, low noise, and low frequency          |
| AD8655         | 5 V single supply, low noise                     |
| AD8605, AD8615 | 5 V single supply, low power                     |

### SINGLE-TO-DIFFERENTIAL DRIVER

For applications using a single-ended analog signal, either bipolar or unipolar, the ADA4941-x single-ended-to-differential driver allows for a differential input into the part. The schematic is shown in Figure 26.

R1 and R2 set the attenuation ratio between the input range and the ADC range ( $V_{REF}$ ). R1, R2, and  $C_F$  are chosen depending on the desired input resistance, signal bandwidth, antialiasing, and noise contribution. For example, for the  $\pm 10$  V range with a 4 k $\Omega$  impedance,  $R_2 = 1$  k $\Omega$  and  $R_1 = 4$  k $\Omega$ .

R3 and R4 set the common mode on the IN- input, and R5 and R6 set the common mode on the IN+ input of the ADC. The common mode should be close to  $V_{REF}/2$ . For example, for the  $\pm 10$  V range with a single supply,  $R_3 = 8.45$  k $\Omega$ ,  $R_4 = 11.8$  k $\Omega$ ,  $R_5 = 10.5$  k $\Omega$ , and  $R_6 = 9.76$  k $\Omega$ .

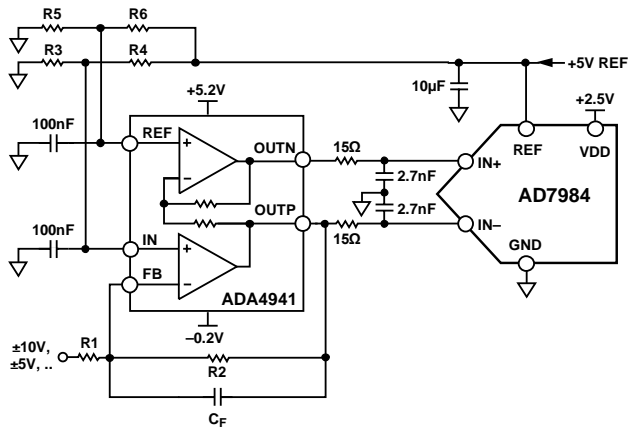


Figure 26. Single-Ended-to-Differential Driver Circuit

### VOLTAGE REFERENCE INPUT

The AD7984 voltage reference input, REF, has a dynamic input impedance and should therefore be driven by a low impedance source with efficient decoupling between the REF and GND pins, as explained in the Layout section.

When REF is driven by a very low impedance source (for example, a reference buffer using the AD8031 or the AD8605), a 10  $\mu$ F (X5R, 0805 size) ceramic chip capacitor is appropriate for optimum performance.

If an unbuffered reference voltage is used, the decoupling value depends on the reference used. For instance, a 22  $\mu$ F (X5R, 1206 size) ceramic chip capacitor is appropriate for optimum performance using a low temperature drift ADR43x reference.

If desired, a reference-decoupling capacitor with values as small as 2.2  $\mu$ F can be used with a minimal impact on performance, especially DNL.

Regardless, there is no need for an additional lower value ceramic decoupling capacitor (for example, 100 nF) between the REF and GND pins.

### POWER SUPPLY

The AD7984 uses two power supply pins: a core supply (VDD) and a digital input/output interface supply (VIO). VIO allows direct interface with any logic between 1.8 V and 5.5 V. To reduce the number of supplies needed, VIO and VDD can be tied together. The AD7984 is independent of power supply sequencing between VIO and VDD. Additionally, it is very insensitive to power supply variations over a wide frequency range, as shown in Figure 27.

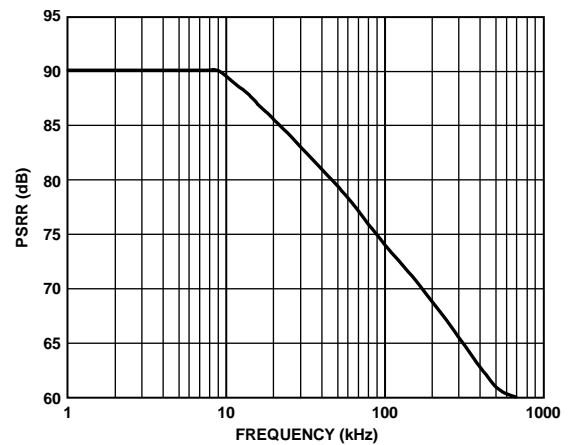


Figure 27. PSRR vs. Frequency

## DIGITAL INTERFACE

Although the AD7984 has a reduced number of pins, it offers flexibility in its serial interface modes.

When in  $\overline{\text{CS}}$  mode, the AD7984 is compatible with SPI, QSPI™, digital hosts, and DSPs. In this mode, the AD7984 can use either a 3-wire or 4-wire interface. A 3-wire interface using the CNV, SCK, and SDO signals minimizes wiring connections useful, for instance, in isolated applications. A 4-wire interface using the SDI, CNV, SCK, and SDO signals allows CNV, which initiates the conversions, to be independent of the readback timing (SDI). This is useful in low jitter sampling or simultaneous sampling applications.

When in chain mode, the AD7984 provides a daisy-chain feature using the SDI input for cascading multiple ADCs on a single data line similar to a shift register.

The mode in which the part operates depends on the SDI level when the CNV rising edge occurs. The  $\overline{\text{CS}}$  mode is selected if SDI is high, and the chain mode is selected if SDI is low. The SDI hold time is such that when SDI and CNV are connected, the chain mode is always selected.

In either mode, the AD7984 offers the option of forcing a start bit in front of the data bits. This start bit can be used as a busy signal indicator to interrupt the digital host and trigger the data reading. Otherwise, without a busy indicator, the user must timeout the maximum conversion time prior to readback.

The busy indicator feature is enabled

- In  $\overline{\text{CS}}$  mode if CNV or SDI is low when the ADC conversion ends (see Figure 31 and Figure 35).
- In chain mode if SCK is high during the CNV rising edge (see Figure 39).



**$\overline{CS}$  MODE, 3-WIRE WITHOUT BUSY INDICATOR**

This mode is usually used when a single AD7984 is connected to an SPI-compatible digital host. The connection diagram is shown in Figure 28, and the corresponding timing is given in Figure 29.

With SDI tied to VIO, a rising edge on CNV initiates a conversion, selects the  $\overline{CS}$  mode, and forces SDO to high impedance. When a conversion is initiated, it continues until completion irrespective of the state of CNV. This can be useful, for example, to bring CNV low to select other SPI devices, such as analog multiplexers; however, CNV must be returned high before the minimum conversion time elapses and then held

high for the maximum possible conversion time to avoid the generation of the busy signal indicator. When the conversion is complete, the AD7984 enters the acquisition phase and goes into standby mode. When CNV goes low, the MSB is output onto SDO. The remaining data bits are clocked by subsequent SCK falling edges. The data is valid on both SCK edges. Although the rising edge can be used to capture the data, a digital host using the SCK falling edge allows a faster reading rate, provided it has an acceptable hold time. After the 18<sup>th</sup> SCK falling edge or when CNV goes high (whichever occurs first), SDO returns to high impedance.

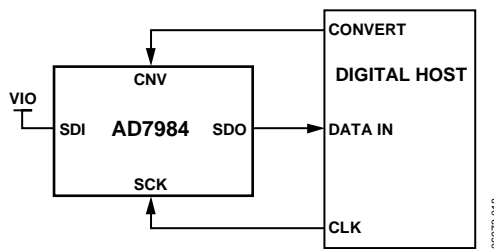


Figure 28.  $\overline{CS}$  Mode, 3-Wire Without Busy Indicator Connection Diagram (SDI High)

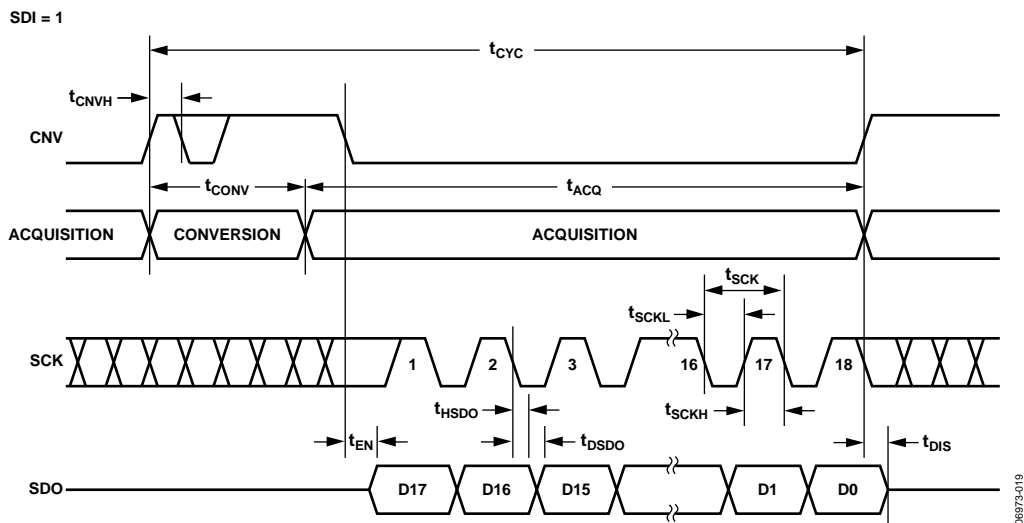


Figure 29.  $\overline{CS}$  Mode, 3-Wire Without Busy Indicator Serial Interface Timing (SDI High)

**$\overline{\text{CS}}$  MODE, 3-WIRE WITH BUSY INDICATOR**

This mode is usually used when a single AD7984 is connected to an SPI-compatible digital host having an interrupt input.

The connection diagram is shown in Figure 30, and the corresponding timing is given in Figure 31.

With SDI tied to VIO, a rising edge on CNV initiates a conversion, selects the  $\overline{\text{CS}}$  mode, and forces SDO to high impedance. SDO is maintained in high impedance until the completion of the conversion irrespective of the state of CNV. Prior to the minimum conversion time, CNV can be used to select other SPI devices, such as analog multiplexers, but CNV must be returned low before the minimum conversion time elapses and then held low for the maximum possible conversion time to guarantee the generation of the busy signal indicator.

When the conversion is complete, SDO goes from high impedance to low impedance. With a pull-up on the SDO line, this transition can be used as an interrupt signal to initiate the data reading controlled by the digital host. The AD7984 then enters the acquisition phase and goes into standby mode. The data bits are then clocked out, MSB first, by subsequent SCK falling edges. The data is valid on both SCK edges. Although the rising edge can be used to capture the data, a digital host using the SCK falling edge allows a faster reading rate, provided it has an acceptable hold time. After the optional 19<sup>th</sup> SCK falling edge or when CNV goes high (whichever occurs first), SDO returns to high impedance.

If multiple AD7984s are selected at the same time, the SDO output pin handles this contention without damage or induced latch-up. Meanwhile, it is recommended to keep this contention as short as possible to limit extra power dissipation.

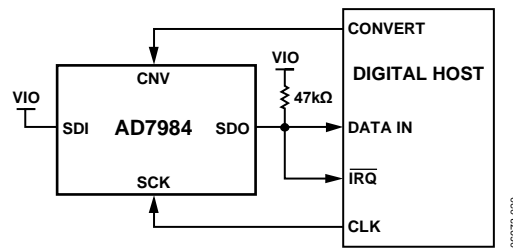


Figure 30.  $\overline{\text{CS}}$  Mode, 3-Wire with Busy Indicator Connection Diagram (SDI High)

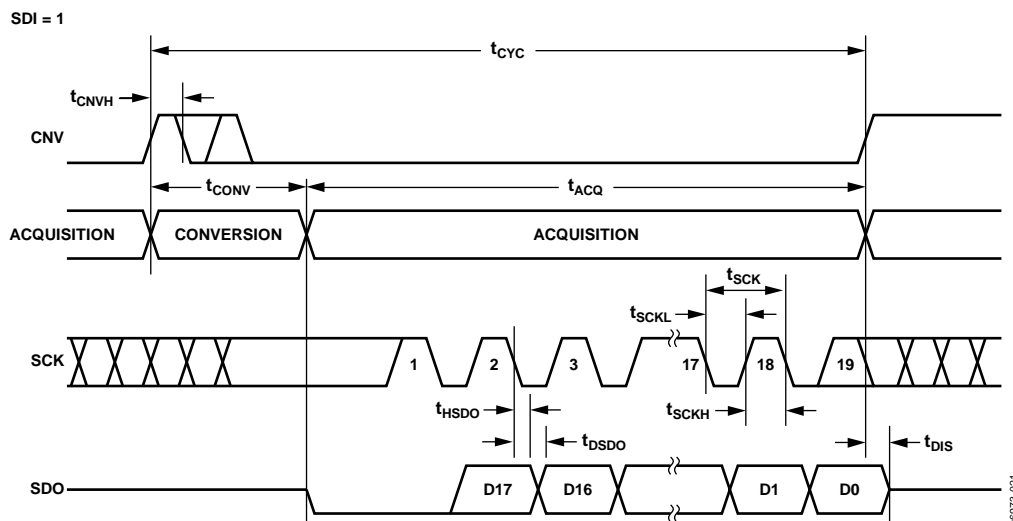


Figure 31.  $\overline{\text{CS}}$  Mode, 3-Wire with Busy Indicator Serial Interface Timing (SDI High)

**$\overline{CS}$  MODE, 4-WIRE WITHOUT BUSY INDICATOR**

This mode is usually used when multiple AD7984s are connected to an SPI-compatible digital host.

A connection diagram example using two AD7984s is shown in Figure 32, and the corresponding timing is given in Figure 33.

With SDI high, a rising edge on CNV initiates a conversion, selects the  $\overline{CS}$  mode, and forces SDO to high impedance. In this mode, CNV must be held high during the conversion phase and the subsequent data readback (if SDI and CNV are low, SDO is driven low). Prior to the minimum conversion time, SDI can be used to select other SPI devices, such as analog multiplexers,

but SDI must be returned high before the minimum conversion time elapses and then held high for the maximum possible conversion time to avoid the generation of the busy signal indicator. When the conversion is complete, the AD7984 enters the acquisition phase and goes into standby mode. Each ADC result can be read by bringing its SDI input low, which consequently outputs the MSB onto SDO. The remaining data bits are then clocked by subsequent SCK falling edges. The data is valid on both SCK edges. Although the rising edge can be used to capture the data, a digital host using the SCK falling edge allows a faster reading rate, provided it has an acceptable hold time. After the 18<sup>th</sup> SCK falling edge or when SDI goes high (whichever occurs first), SDO returns to high impedance and another AD7984 can be read.

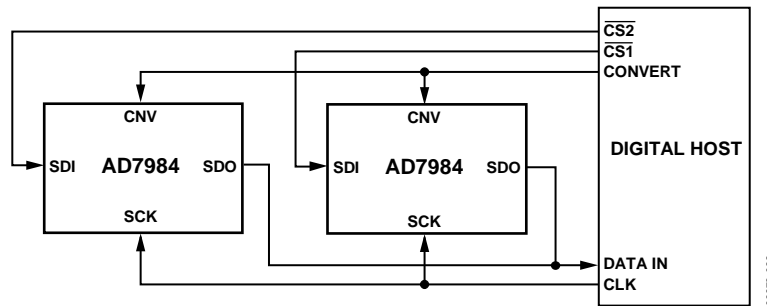


Figure 32.  $\overline{CS}$  Mode, 4-Wire Without Busy Indicator Connection Diagram

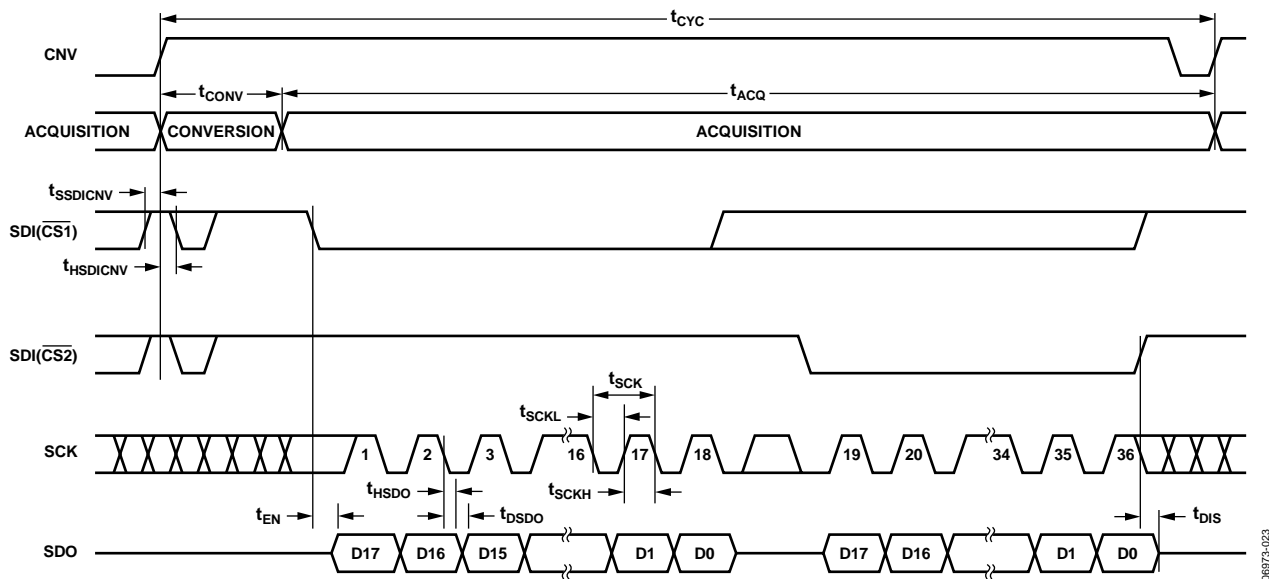


Figure 33.  $\overline{CS}$  Mode, 4-Wire Without Busy Indicator Serial Interface Timing

**$\overline{CS}$  MODE, 4-WIRE WITH BUSY INDICATOR**

This mode is usually used when a single AD7984 is connected to an SPI-compatible digital host with an interrupt input and when it is desired to keep CNV, which is used to sample the analog input, independent of the signal used to select the data reading. This independence is particularly important in applications where low jitter on CNV is desired.

The connection diagram is shown in Figure 34, and the corresponding timing is given in Figure 35.

With SDI high, a rising edge on CNV initiates a conversion, selects the  $\overline{CS}$  mode, and forces SDO to high impedance. In this mode, CNV must be held high during the conversion phase and the subsequent data readback. (If SDI and CNV are low, SDO is driven low.) Prior to the minimum conversion time, SDI can be used to select other SPI devices, such as analog multiplexers,

but SDI must be returned low before the minimum conversion time elapses and then held low for the maximum possible conversion time to guarantee the generation of the busy signal indicator. When the conversion is complete, SDO goes from high impedance to low impedance. With a pull-up on the SDO line, this transition can be used as an interrupt signal to initiate the data readback controlled by the digital host. The AD7984 then enters the acquisition phase and goes into standby mode. The data bits are then clocked out, MSB first, by subsequent SCK falling edges. The data is valid on both SCK edges. Although the rising edge can be used to capture the data, a digital host using the SCK falling edge allows a faster reading rate, provided it has an acceptable hold time. After the optional 19<sup>th</sup> SCK falling edge or SDI going high (whichever occurs first), SDO returns to high impedance.

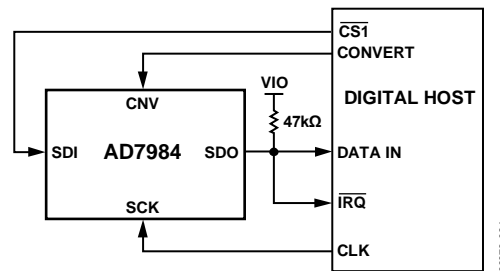


Figure 34.  $\overline{CS}$  Mode, 4-Wire with Busy Indicator Connection Diagram

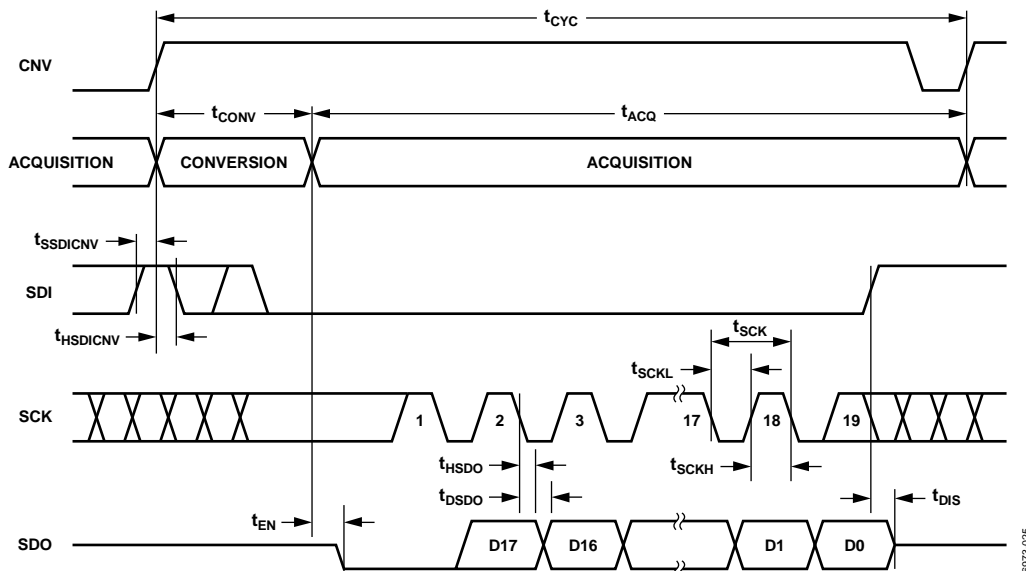


Figure 35.  $\overline{CS}$  Mode, 4-Wire with Busy Indicator Serial Interface Timing

### CHAIN MODE WITHOUT BUSY INDICATOR

This mode can be used to daisy-chain multiple AD7984s on a 3-wire serial interface. This feature is useful for reducing component count and wiring connections, for example, in isolated multiconverter applications or for systems with a limited interfacing capacity. Data readback is analogous to clocking a shift register.

A connection diagram example using two AD7984s is shown in Figure 36, and the corresponding timing is given in Figure 37.

When SDI and CNV are low, SDO is driven low. With SCK low, a rising edge on CNV initiates a conversion, selects the chain mode, and disables the busy indicator. In this mode, CNV is held high during the conversion phase and the subsequent data

readback. When the conversion is complete, the MSB is output onto SDO and the AD7984 enters the acquisition phase and goes into standby mode. The remaining data bits stored in the internal shift register are clocked by subsequent SCK falling edges. For each ADC, SDI feeds the input of the internal shift register and is clocked by the SCK falling edge. Each ADC in the chain outputs its data MSB first, and  $18 \times N$  clocks are required to read back the N ADCs. The data is valid on both SCK edges. Although the rising edge can be used to capture the data, a digital host using the SCK falling edge will allow a faster reading rate and consequently more AD7984s in the chain, provided the digital host has an acceptable hold time. The maximum conversion rate may be reduced due to the total readback time.

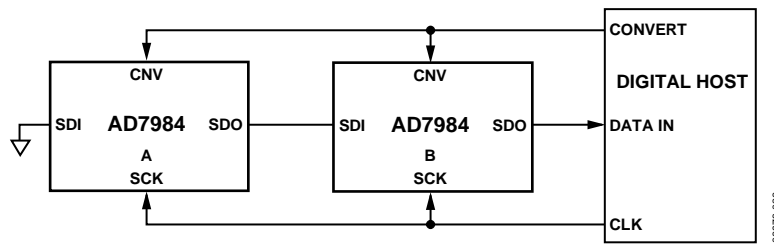


Figure 36. Chain Mode Without Busy Indicator Connection Diagram

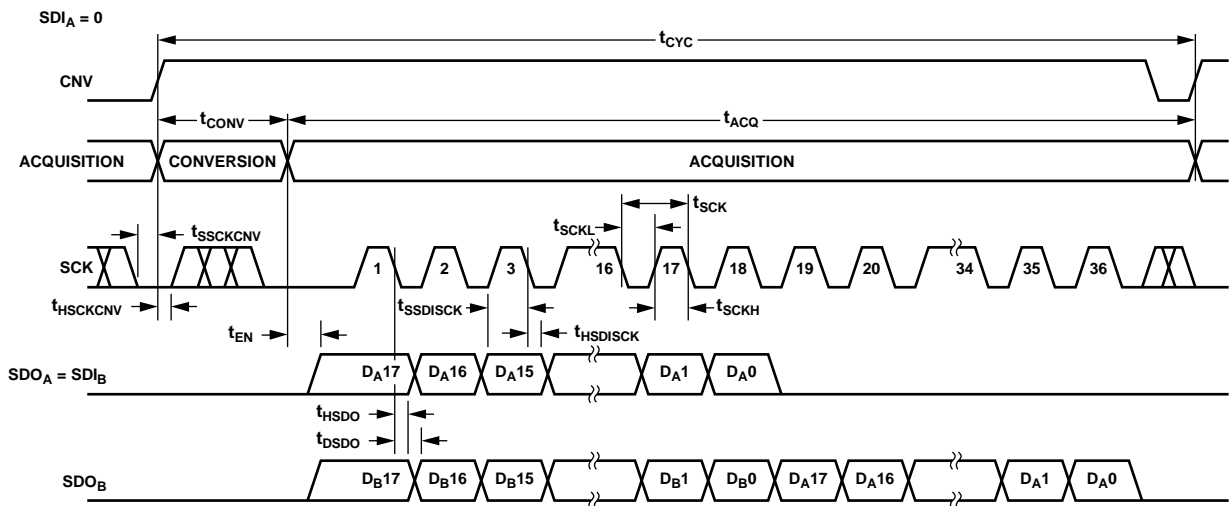


Figure 37. Chain Mode Without Busy Indicator Serial Interface Timing

**CHAIN MODE WITH BUSY INDICATOR**

This mode can also be used to daisy-chain multiple AD7984s on a 3-wire serial interface while providing a busy indicator. This feature is useful for reducing component count and wiring connections, for example, in isolated multiconverter applications or for systems with a limited interfacing capacity. Data readback is analogous to clocking a shift register.

A connection diagram example using three AD7984s is shown in Figure 38, and the corresponding timing is given in Figure 39.

When SDI and CNV are low, SDO is driven low. With SCK high, a rising edge on CNV initiates a conversion, selects the chain mode, and enables the busy indicator feature. In this mode, CNV is held high during the conversion phase and the subsequent data readback. When all ADCs in the chain have

completed their conversions, the SDO pin of the ADC closest to the digital host (see the AD7984 ADC labeled C in Figure 38) is driven high. This transition on SDO can be used as a busy indicator to trigger the data readback controlled by the digital host. The AD7984 then enters the acquisition phase and goes into standby mode. The data bits stored in the internal shift register are clocked out, MSB first, by subsequent SCK falling edges. For each ADC, SDI feeds the input of the internal shift register and is clocked by the SCK falling edge. Each ADC in the chain outputs its data MSB first, and  $18 \times N + 1$  clocks are required to read back the N ADCs. Although the rising edge can be used to capture the data, a digital host using the SCK falling edge allows a faster reading rate and, consequently, more AD7984s in the chain, provided the digital host has an acceptable hold time.

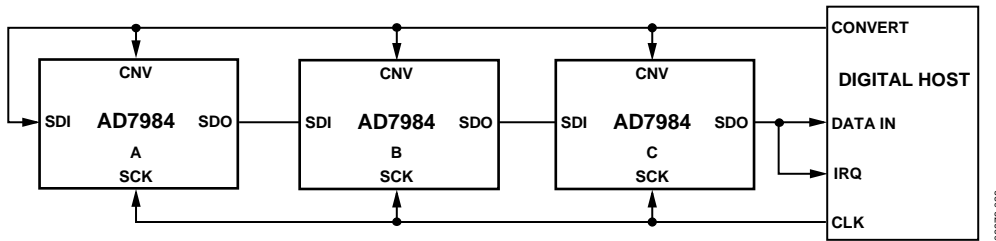


Figure 38. Chain Mode with Busy Indicator Connection Diagram

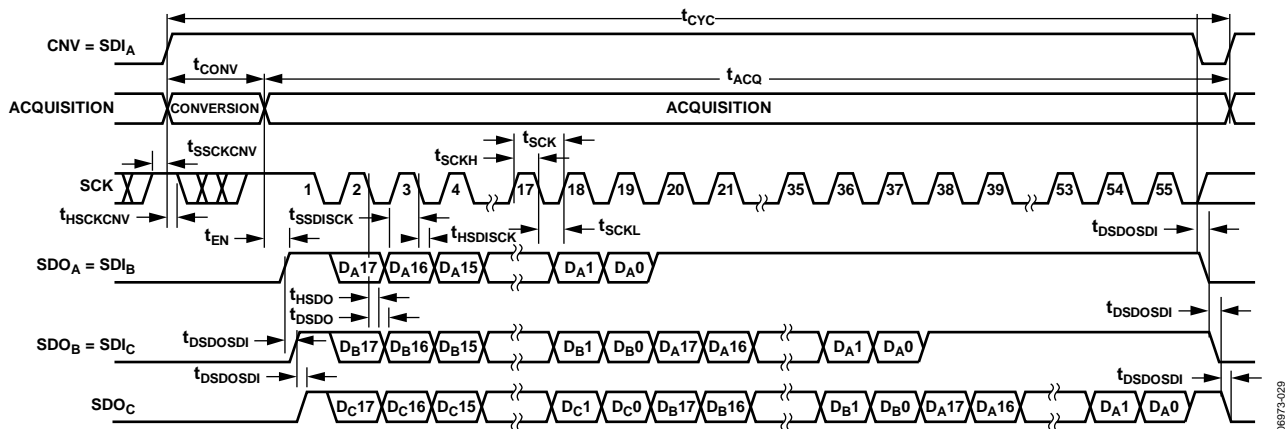


Figure 39. Chain Mode with Busy Indicator Serial Interface Timing

## APPLICATION HINTS

### LAYOUT

The printed circuit board (PCB) that houses the [AD7984](#) should be designed so that the analog and digital sections are separated and confined to certain areas of the board. The pinout of the [AD7984](#), with its analog signals on the left side and its digital signals on the right side, eases this task.

Avoid running digital lines under the device because these couple noise onto the die, unless a ground plane under the [AD7984](#) is used as a shield. Fast switching signals, such as CNV or clocks, should not run near analog signal paths. Crossover of digital and analog signals should be avoided.

At least one ground plane should be used. It can be common or split between the digital and analog sections. In the latter case, the planes should be joined underneath the [AD7984](#).

The [AD7984](#) voltage reference input REF has a dynamic input impedance and should be decoupled with minimal parasitic inductances. This is done by placing the reference decoupling ceramic capacitor close to, ideally right up against, the REF and GND pins and connecting them with wide, low impedance traces.

Finally, the power supplies VDD and VIO of the [AD7984](#) should be decoupled with ceramic capacitors, typically 100 nF, placed close to the [AD7984](#) and connected using short, wide traces to provide low impedance paths and to reduce the effect of glitches on the power supply lines.

An example of layout following these rules is shown in Figure 40 and Figure 41.

### EVALUATING THE [AD7984](#) PERFORMANCE

Other recommended layouts for the [AD7984](#) are outlined in the documentation of the evaluation board for the [AD7984](#) ([EVAL-AD7984SDZ](#)). The evaluation board package includes a fully assembled and tested evaluation board, documentation, and software for controlling the board from a PC via the [EVAL-SDP-CB1Z](#).

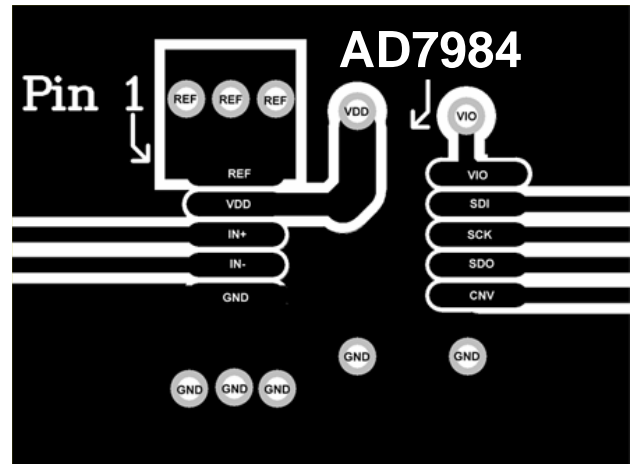


Figure 40. Example Layout of the [AD7984](#) (Top Layer)

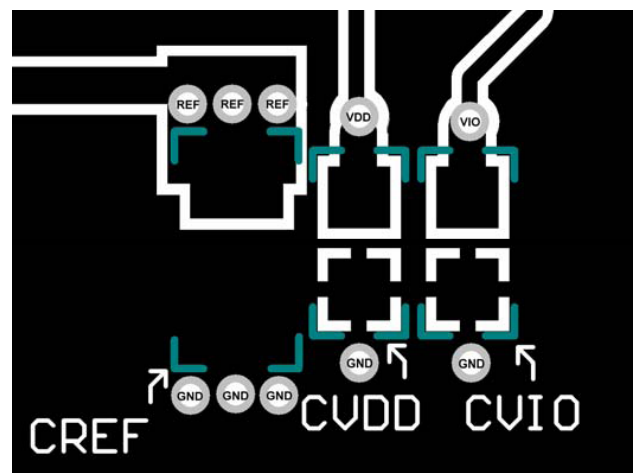
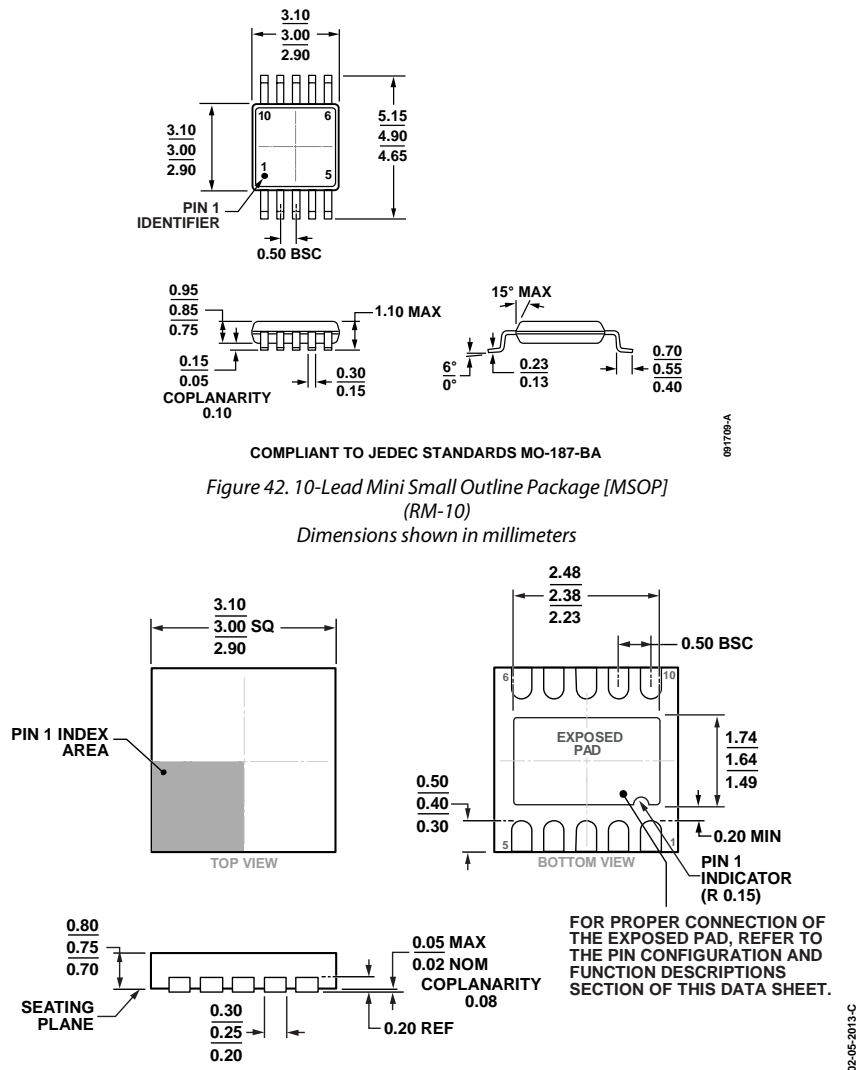


Figure 41. Example Layout of the [AD7984](#) (Bottom Layer)

## OUTLINE DIMENSIONS



## ORDERING GUIDE

| Model <sup>1,2,3</sup> | Temperature Range | Package Description | Package Option | Ordering Quantity | Branding |
|------------------------|-------------------|---------------------|----------------|-------------------|----------|
| AD7984BRMZ             | -40°C to +85°C    | 10-Lead MSOP        | RM-10          | Tube, 50          | C60      |
| AD7984BRMZ-RL7         | -40°C to +85°C    | 10-Lead MSOP        | RM-10          | Reel, 1,000       | C60      |
| AD7984BCPZ-RL7         | -40°C to +85°C    | 10-Lead LFCSP_WD    | CP-10-9        | Reel, 1,500       | C60      |
| AD7984BCPZ-RL          | -40°C to +85°C    | 10-Lead LFCSP_WD    | CP-10-9        | Reel, 5,000       | C60      |
| EVAL-AD7984SDZ         |                   | Evaluation Board    |                |                   |          |
| EVAL-SDP-CB1Z          |                   | Evaluation Board    |                |                   |          |

<sup>1</sup> Z = RoHS compliant part.

<sup>2</sup> The [EVAL-AD7984SDZ](#) board can be used as a standalone evaluation board or in conjunction with the [EVAL-SDP-CB1Z](#) for evaluation/demonstration purposes.

<sup>3</sup> The [EVAL-SDP-CB1Z](#) board allows a PC to control and communicate with all Analog Devices evaluation boards ending in the SD designator.



# AMEYA360

## Components Supply Platform

Authorized Distribution Brand :



Website :

Welcome to visit [www.ameya360.com](http://www.ameya360.com)

Contact Us :

➤ Address :

401 Building No.5, JiuGe Business Center, Lane 2301, Yishan Rd  
Minhang District, Shanghai , China

➤ Sales :

Direct +86 (21) 6401-6692

Email [amall@ameya360.com](mailto:amall@ameya360.com)

QQ 800077892

Skype [ameyasales1](#) [ameyasales2](#)

➤ Customer Service :

Email [service@ameya360.com](mailto:service@ameya360.com)

➤ Partnership :

Tel +86 (21) 64016692-8333

Email [mkt@ameya360.com](mailto:mkt@ameya360.com)