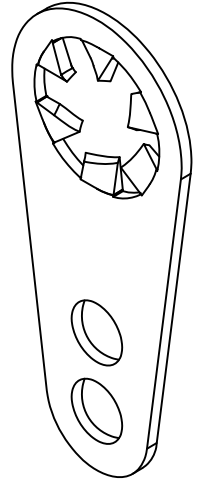
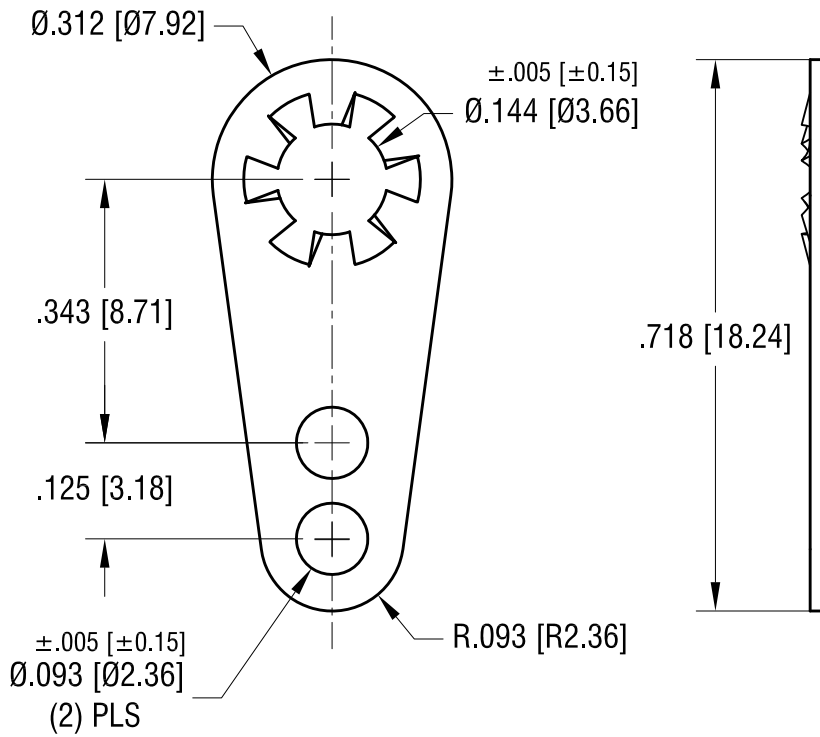


THIS DOCUMENT IS THE PROPERTY OF
KEYSTONE ELECTRONICS CORP. AND
SHALL NOT BE REPRODUCED, DISTRIBUTED
OR USED AS A BASIS FOR MANUFACTURE
WITHOUT PRIOR WRITTEN PERMISSION
FROM KEYSTONE ELECTRONICS CORP.



KEYSTONE ELECTRONICS CORP.

www.keyelco.com • ASTORIA, N.Y. 11105-2017 • Tel (718) 956-8900

PART NAME

LOCKWASHER TERMINAL LUG

MATERIAL

.018 [0.45] TH'K BRASS

FINISH

MATTE TIN PLATE

DRN BY

NT

DATE

4.03.08

APP'D

LN

SCALE

4X

6.26.09 CHANGE AS PER ECN 09-088

A

TOLERANCES

INCH [MM]

DECIMAL $\pm .010$ [± 0.25]

CODE

ANGULAR $\pm 1^\circ$
UNLESS OTHERWISE SPECIFIED

C

DWG NO.

918

DATE

DESCRIPTION

REV.

AMEYA360

Components Supply Platform

Authorized Distribution Brand :



Website :

Welcome to visit www.ameya360.com

Contact Us :

➤ Address :

401 Building No.5, JiuGe Business Center, Lane 2301, Yishan Rd
Minhang District, Shanghai , China

➤ Sales :

Direct +86 (21) 6401-6692

Email amall@ameya360.com

QQ 800077892

Skype [ameyasales1](#) [ameyasales2](#)

➤ Customer Service :

Email service@ameya360.com

➤ Partnership :

Tel +86 (21) 64016692-8333

Email mkt@ameya360.com