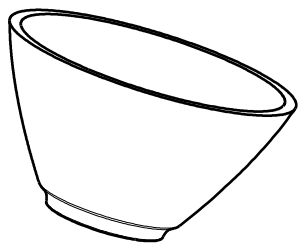


D

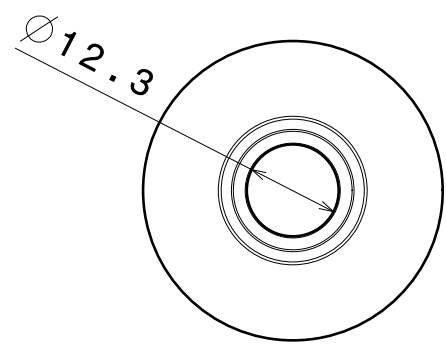
C

B

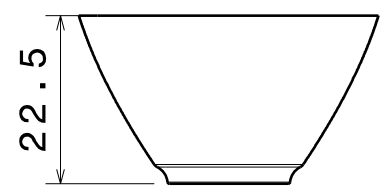
A



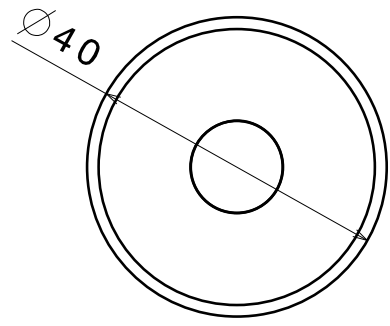
Isometric view



Bottom view



Front view



Top view

4

4

3

3

2

2

Material: PC, metal plated

Tolerances for dimensions:
 0-20mm tolerance value $\pm 0.1\text{mm}$
 21-45mm tolerance value $\pm 0.2\text{mm}$
 46-90mm tolerance value $\pm 0.3\text{mm}$
 91-100mm tolerance value $\pm 0.4\text{mm}$
 101-mm tolerance value $\pm 0.5\text{mm}$

This drawing is our property.
 It can't be reproduced
 or communicated without
 our written agreement.



Ledil Oy
 Salorankatu 10
 FIN 24240 SALO
 Finland

DRAWING TITLE
Datasheet Tyra3-series

DRAWN BY mav	DATE 21.12.2011
------------------------	---------------------------

CHECKED BY vs	DATE 21.12.2011
-------------------------	---------------------------

DESIGNED BY mav	DATE 30.09.2011
---------------------------	---------------------------

SIZE A4	DRAWING NUMBER -	REV 1
SCALE 1:1	WEIGHT (g)	SHEET 1/1

1

1

D

A

AMEYA360

Components Supply Platform

Authorized Distribution Brand :



Website :

Welcome to visit www.ameya360.com

Contact Us :

➤ Address :

401 Building No.5, JiuGe Business Center, Lane 2301, Yishan Rd
Minhang District, Shanghai , China

➤ Sales :

Direct +86 (21) 6401-6692

Email amall@ameya360.com

QQ 800077892

Skype [ameyasales1](#) [ameyasales2](#)

➤ Customer Service :

Email service@ameya360.com

➤ Partnership :

Tel +86 (21) 64016692-8333

Email mkt@ameya360.com