

### Features

- Floating channel designed for bootstrap operation
- Tolerant to negative transient voltage – dV/dt immune
- Gate drive supply range from 11.5 V to 20 V
- Undervoltage lockout for all channels
- Over-current shutdown turns off all six drivers
- Independent 3 half-bridge drivers
- Matched propagation delay for all channels
- Cross-conduction prevention logic
- Low side and High side outputs in phase with inputs.
- 3.3 V logic compatible
- Lower di/dt gate drive for better noise immunity
- Externally programmable delay for automatic fault clear
- RoHS Compliant

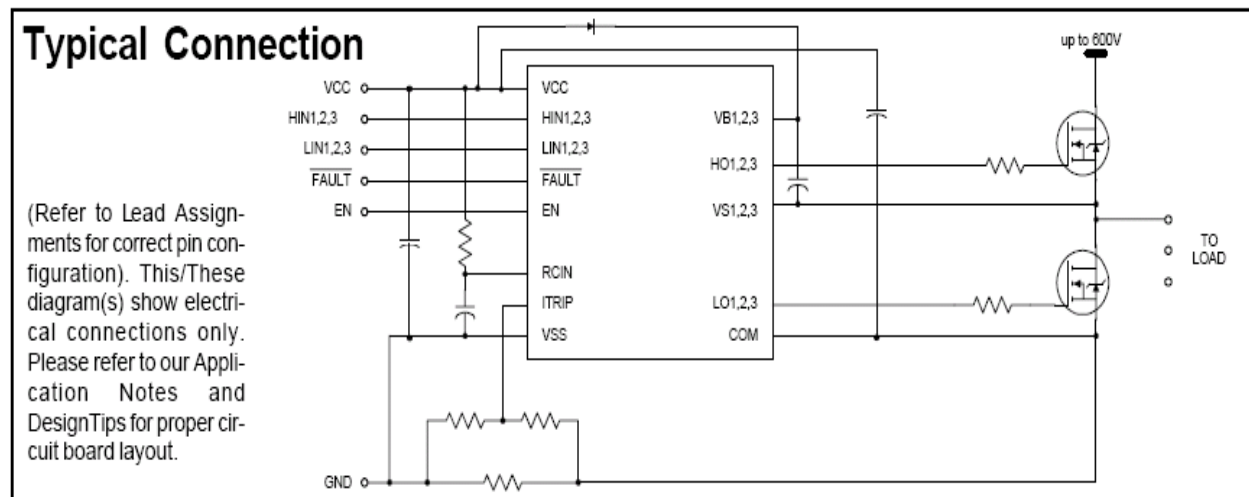
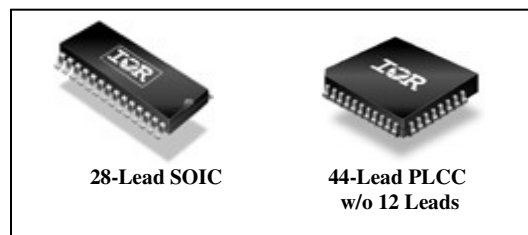
### Product Summary

Topology	3 phase bridge driver
V <sub>OFFSET</sub>	≤ 600 V
V <sub>OUT</sub>	11.5 V – 20 V
I <sub>o+</sub> & I <sub>o-</sub> (typical)	200 mA & 350 mA
t <sub>ON</sub> & t <sub>OFF</sub> (typical)	500 ns & 530 ns

### Typical Applications

- Motor Control
- Air Conditioners/ Washing Machines
- General Purpose Inverters
- Micro/Mini Inverter Drivers

### Package Options



**Description**

The IR21364(S&J)PbF is a high voltage, high speed power MOSFET and IGBT drivers with three independent high and low side referenced output channels for 3-phase applications. Proprietary HVIC technology enables ruggedized monolithic construction. Logic inputs are compatible with CMOS or LSTTL outputs, down to 3.3V logic. A current trip function which terminates all six outputs can be derived from an external current sense resistor. An enable function is available to terminate all six outputs simultaneously. An open-drain FAULT signal is provided to indicate that an overcurrent or undervoltage shutdown has occurred. Overcurrent fault conditions are cleared automatically after a delay programmed externally via an RC network connected to the RCIN input. The output drivers feature a high pulse current buffer stage designed for minimum driver cross-conduction. Propagation delays are matched to simplify use in high frequency applications. The floating channel can be used to drive N-channel power MOSFETs or IGBTs in the high side configuration which operates up to 600 V.

**Qualification Information<sup>†</sup>**

<b>Qualification Level</b>		Industrial <sup>††</sup>	
		Comments: This family of ICs has passed JEDEC's Industrial qualification. IR's Consumer qualification level is granted by extension of the higher Industrial level.	
<b>Moisture Sensitivity Level</b>		SOIC28W	MSL3 <sup>†††</sup> , 260°C (per IPC/JEDEC J-STD-020)
		PLCC44	MSL3 <sup>†††</sup> , 245°C (per IPC/JEDEC J-STD-020)
<b>ESD</b>	Human Body Model	Class 2 (per JEDEC standard JESD22-A114)	
	Machine Model	Class B (per EIA/JEDEC standard EIA/JESD22-A115)	
<b>IC Latch-Up Test</b>		Class I, Level A (per JESD78)	
<b>RoHS Compliant</b>		Yes	

† Qualification standards can be found at International Rectifier's web site <http://www.irf.com/>

†† Higher qualification ratings may be available should the user have such requirements. Please contact your International Rectifier sales representative for further information.

††† Higher MSL ratings may be available for the specific package types listed here. Please contact your International Rectifier sales representative for further information.

### Absolute Maximum Ratings

Absolute Maximum Ratings indicate sustained limits beyond which damage to the device may occur. All voltage parameters are absolute voltages referenced to COM. The thermal resistance and power dissipation ratings are measured under board mounted and still air conditions.

Symbol	Definition	Min	Max	Units	
V <sub>S</sub>	High side offset voltage	V <sub>B 1,2,3</sub> - 25	V <sub>B 1,2,3</sub> + 0.3	V	
V <sub>B</sub>	High side floating supply voltage	-0.3	625		
V <sub>HO</sub>	High side floating output voltage	V <sub>S1,2,3</sub> - 0.3	V <sub>B 1,2,3</sub> + 0.3		
V <sub>CC</sub>	Low side and logic fixed supply voltage	-0.3	25		
V <sub>SS</sub>	Logic ground	V <sub>CC</sub> - 25	V <sub>CC</sub> + 0.3		
V <sub>LO1,2,3</sub>	Low side output voltage	-0.3	V <sub>CC</sub> + 0.3		
V <sub>IN</sub>	Input voltage LIN, HIN, ITRIP, EN, RCIN	V <sub>SS</sub> - 0.3	lower of V <sub>CC</sub> + 0.3 or V <sub>SS</sub> + 15		
V <sub>FLT</sub>	FAULT output voltage	V <sub>SS</sub> - 0.3	V <sub>CC</sub> + 0.3		
dV/dt	Allowable offset voltage slew rate	—	50		V/ns
P <sub>D</sub>	Package power dissipation @ T <sub>A</sub> ≤ +25 °C	(28 lead SOIC)	—	1.6	W
		(44 lead PLCC)	—	2.0	
R <sub>thJA</sub>	Thermal resistance, junction to ambient	(28 lead SOIC)	—	78	°C/W
		(44 lead PLCC)	—	63	
T <sub>J</sub>	Junction temperature	—	150	°C	
T <sub>S</sub>	Storage temperature	-55	150		
T <sub>L</sub>	Lead temperature (soldering, 10 seconds)	—	300		

### Recommended Operating Conditions

The input/output logic timing diagram is shown in Fig. 1. For proper operation the device should be used within the recommended conditions. All voltage parameters are absolute referenced to COM. The V<sub>S</sub> & V<sub>SS</sub> offset rating are tested with all supplies biased at a 15 V differential.

Symbol	Definition		Min.	Max.	Units
V <sub>B1,2,3</sub>	High side floating supply voltage	IR21364	V <sub>S1,2,3</sub> + 11.5	V <sub>S1,2,3</sub> + 20	V
V <sub>S 1,2,3</sub>	High side floating supply voltage		Note 1	600	
V <sub>CC</sub>	Low side supply voltage	IR21364	11.5	20	
V <sub>HO 1,2,3</sub>	High side output voltage		V <sub>S1,2,3</sub>	V <sub>B1,2,3</sub>	
V <sub>LO1,2,3</sub>	Low side output voltage		0	V <sub>CC</sub>	
V <sub>SS</sub>	Logic ground		-5	5	
V <sub>FLT</sub>	FAULT output voltage		V <sub>SS</sub>	V <sub>CC</sub>	
V <sub>RCIN</sub>	RCIN input voltage		V <sub>SS</sub>	V <sub>CC</sub>	
V <sub>ITRIP</sub>	ITRIP input voltage		V <sub>SS</sub>	V <sub>SS</sub> + 5	
V <sub>IN</sub>	Logic input voltage LIN, HIN, EN		V <sub>SS</sub>	V <sub>SS</sub> + 5	
T <sub>A</sub>	Ambient temperature		-40	125	°C

**Note 1:** Logic operational for V<sub>S</sub> of COM -5 V to COM + 600 V. Logic state held for V<sub>S</sub> of COM -5 to COM - V<sub>BS</sub>. (Please refer to the Design Tip DT97 -3 for more details).

**Static Electrical Characteristics**

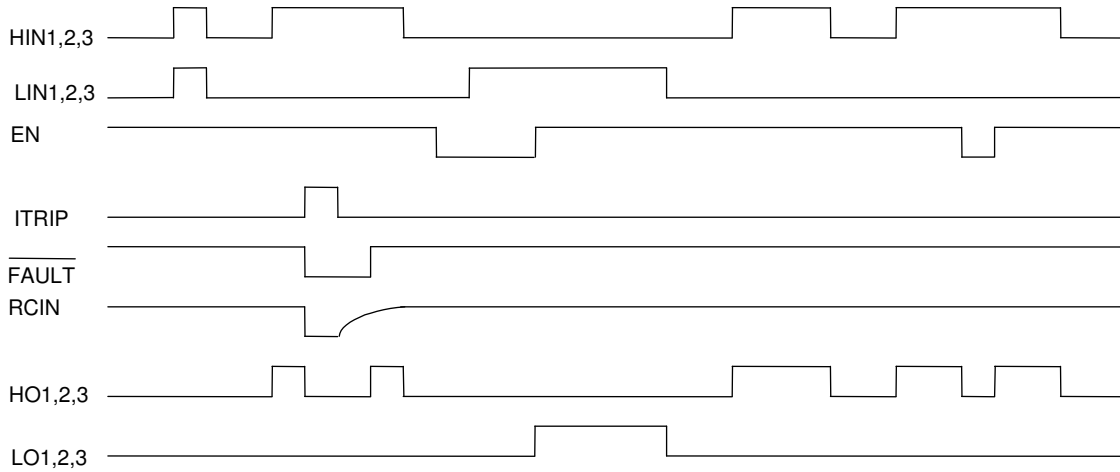
$V_{BIAS}$  ( $V_{CC}$ ,  $V_{BS\ 1,2,3}$ ) = 15 V,  $T_A$  = 25 °C unless otherwise specified. The  $V_{IN}$ ,  $V_{TH}$  and  $I_{IN}$  parameters are referenced to  $V_{SS}$  and are applicable to all six channels (HIN1,2,3 and LIN1,2,3). The  $V_O$  and  $I_O$  parameters are referenced to COM and  $V_{S1,2,3}$  and are applicable to the respective output leads: HO1,2,3 and LO1,2,3.

Symbol	Definition	Min	Typ	Max	Units	Test Conditions		
$V_{IH}$	Logic "0" input voltage	—	—	0.8	V			
$V_{IL}$	Logic "1" input voltage	2.5	—	—				
$V_{EN,TH+}$	Enable positive going threshold	—	—	2.5				
$V_{EN,TH-}$	Enable negative going threshold	0.8	—	—				
$V_{IT,TH+}$	ITRIP positive going threshold	0.37	0.46	0.55				
$V_{IT,HYS}$	ITRIP hysteresis	—	0.07	—				
$V_{RCIN, TH+}$	RCIN positive going threshold	—	8	—				
$V_{RCIN, HYS}$	RCIN hysteresis	—	3	—				
$V_{OH}$	High level output voltage, $V_{BIAS} - V_O$	—	0.9	1.4			V	$I_O = 20\text{ mA}$
$V_{OL}$	Low level output voltage, $V_O$	—	0.4	0.6				
$V_{CCUV+}$	$V_{CC}$ supply undervoltage positive going threshold	IR21364	9.6	10.4			11.2	
$V_{CCUV-}$	$V_{CC}$ supply undervoltage negative going threshold	IR21364	8.6	9.4			10.2	
$V_{CCUVHY}$	$V_{CC}$ supply undervoltage hysteresis	IR21364	—	1			—	
$V_{BSUV+}$	$V_{BS}$ supply undervoltage positive going threshold	IR21364	9.6	10.4			11.2	
$V_{BSUV-}$	$V_{BS}$ supply undervoltage negative going threshold	IR21364	8.6	9.4			10.2	
$V_{BSUVHY}$	$V_{BS}$ supply undervoltage hysteresis	IR21364	—	1	—			
$I_{lk}$	Offset supply leakage current	—	—	50	$\mu\text{A}$	$V_B = V_S = 600\text{ V}$		
$I_{QBS}$	Quiescent $V_{BS}$ supply current	—	70	120	$\mu\text{A}$	$V_{B1,2,3} = V_{S1,2,3} = 600\text{ V}$		
$I_{QCC}$	Quiescent $V_{CC}$ supply current	—	0.6	1.3	$\text{mA}$	$V_{IN} = 0\text{ V or } 5\text{ V}$		
$I_{LIN+}$	Input bias current (LOUT = HI)	—	100	195	$\mu\text{A}$	$V_{LIN} = 3.3\text{ V}$		
$I_{LIN-}$	Input bias current (LOUT = LO)	-1	—	—		$V_{LIN} = 0\text{ V}$		
$I_{HIN+}$	Input bias current (HOUT = HI)	—	100	195		$V_{HIN} = 3.3\text{ V}$		
$I_{HIN-}$	Input bias current (HOUT = LO)	-1	—	—		$V_{HIN} = 0\text{ V}$		
$I_{ITRIP+}$	"High" ITRIP input bias current	—	3.3	6		$V_{ITRIP} = 3.3\text{ V}$		
$I_{ITRIP-}$	"Low" ITRIP input bias current	-1	—	—		$V_{ITRIP} = 0\text{ V}$		
$I_{EN+}$	"High" ENABLE input bias current	—	100	—		$V_{EN} = 3.3\text{ V}$		
$I_{EN-}$	"Low" ENABLE input bias current	-1	—	—		$V_{EN} = 0\text{ V}$		
$I_{RCIN}$	RCIN input bias current	—	—	1		$V_{rcin} = 0\text{ V or } 15\text{ V}$		
$I_{O+}$	Output high short circuit pulsed current	120	200	—		$\text{mA}$	$V_O = 0\text{ V}$ , $PW \leq 10\ \mu\text{s}$	
$I_{O-}$	Output low short circuit pulsed current	250	350	—	$V_O = 15\text{ V}$ , $PW \leq 10\ \mu\text{s}$			
$R_{on\ RCIN}$	RCIN low on resistance	—	50	100	$\Omega$	$I = 1.5\text{ mA}$		
$R_{on\ FAULT}$	FAULT low on resistance	—	50	100				

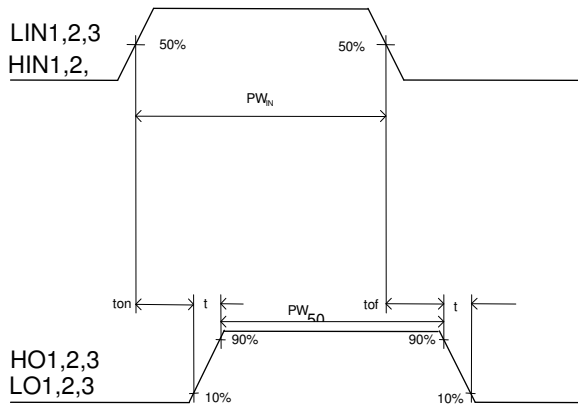
**Dynamic Electrical Characteristics**

Dynamic Electrical Characteristics  $V_{CC} = V_{BS} = V_{BIAS} = 15\text{ V}$ ,  $V_{S1,2,3} = V_{SS} = \text{COM}$ ,  $T_A = 25^\circ\text{C}$  and  $C_L = 1000\text{ pF}$  unless otherwise specified.

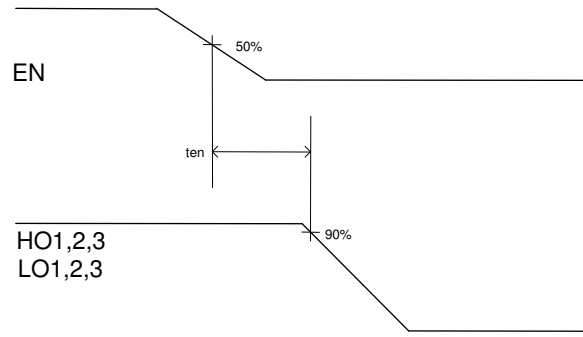
Symbol	Definition	Min	Typ	Max	Units	Test Conditions	
$t_{on}$	Turn-on propagation delay	350	500	650	ns	$V_{IN} = 0\text{ V} \& 5\text{ V}$	
$t_{off}$	Turn-off propagation delay	375	530	685			
$t_r$	Turn-on rise time	—	125	190			
$t_f$	Turn-off fall time	—	50	75			
$t_{EN}$	ENABLE low to output shutdown propagation delay	300	450	600		$V_{IN}, V_{EN} = 0\text{ V} \text{ or } 5\text{ V}$	
$t_{ITRIP}$	ITRIP to output shutdown propagation delay	500	750	1000		$V_{ITRIP} = 5\text{ V}$	
$t_{bl}$	ITRIP blanking time	100	150	—		$V_{IN} = 0\text{ V} \text{ or } 5\text{ V}$ $V_{ITRIP} = 5\text{ V}$	
$t_{FLT}$	ITRIP to FAULT propagation delay	400	600	800		$V_{IN} = 0\text{ V} \& 5\text{ V}$	
$t_{FILIN}$	Input filter time (HIN, LIN)	100	200	—			
$t_{filterEn}$	Enable input filter time	100	200	—			
DT	Deadtime	220	290	360		ms	External dead time >450 nsec PW input =10 $\mu\text{s}$
MT	Ton, off matching time (on all six channels)	—	—	75			
MDT	DT matching (Hi->Lo & Lo->Hi on all channels)	—	—	70			
PM	pulse width distortion (pwin-pwout)	—	—	75			
$t_{FLTCLR}$	FAULT clear time RCIN: R = 2 M $\Omega$ , C = 1 nF	1.3	1.65	2		$V_{IN} = 0\text{ V} \text{ or } 5\text{ V}$ $V_{ITRIP} = 0\text{ V}$	



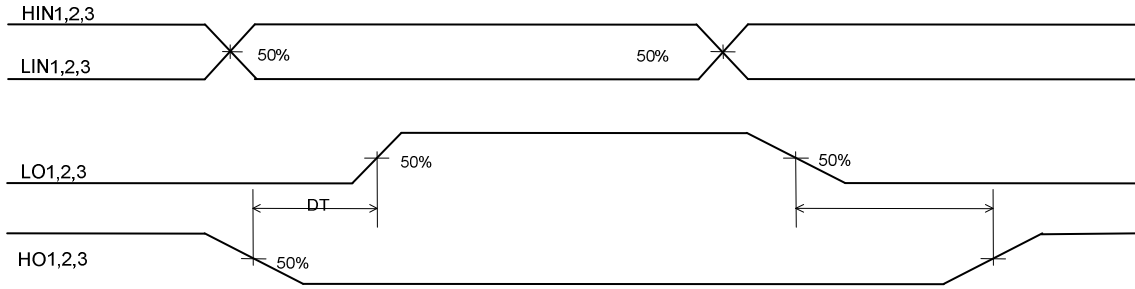
**Fig. 1. Input/Output Timing Diagram**



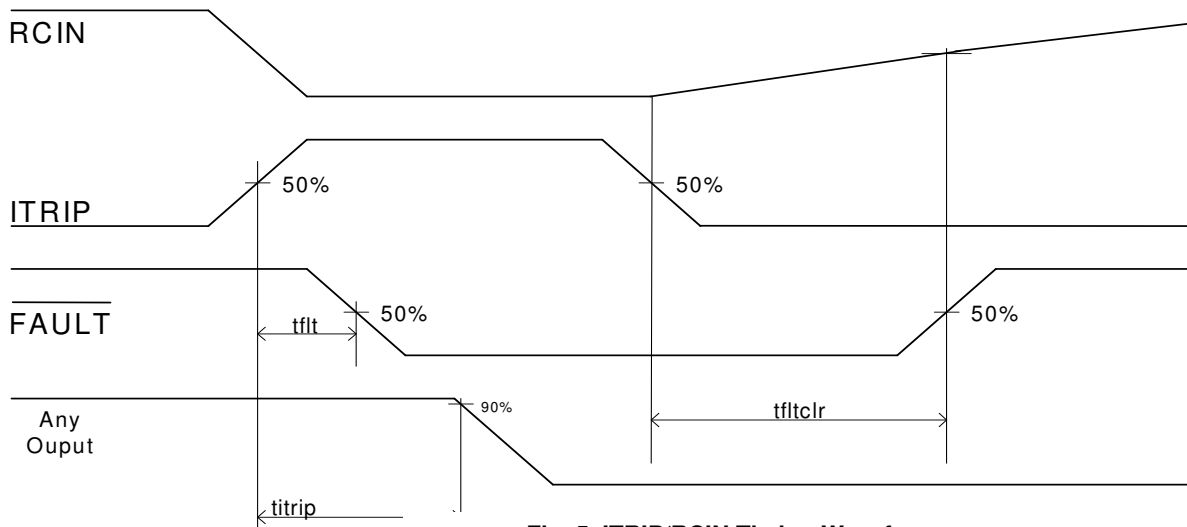
**Fig. 2. Switching Time Waveforms**



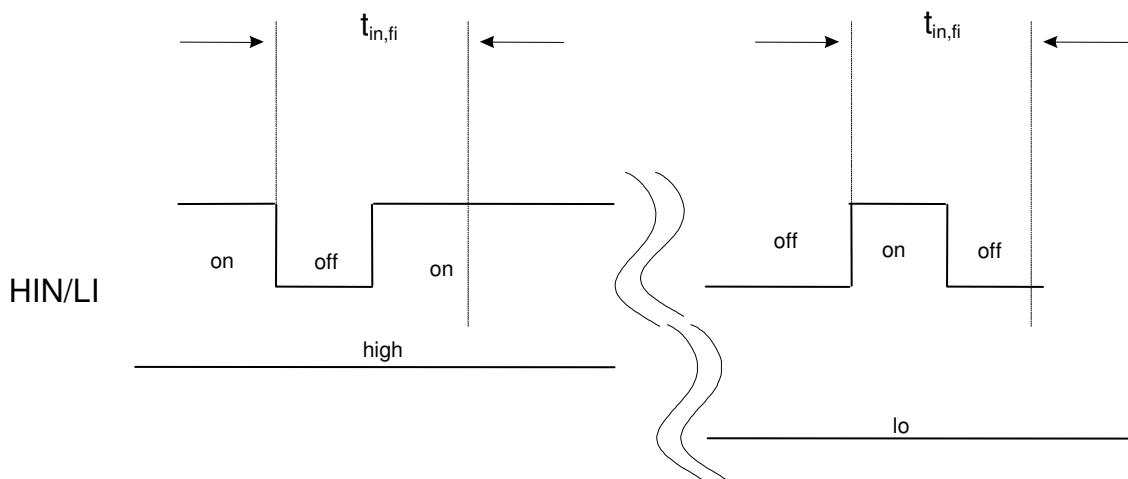
**Fig. 3. Output Enable Timing Waveform**



**Fig. 4. Internal Deadtime Timing Waveforms**



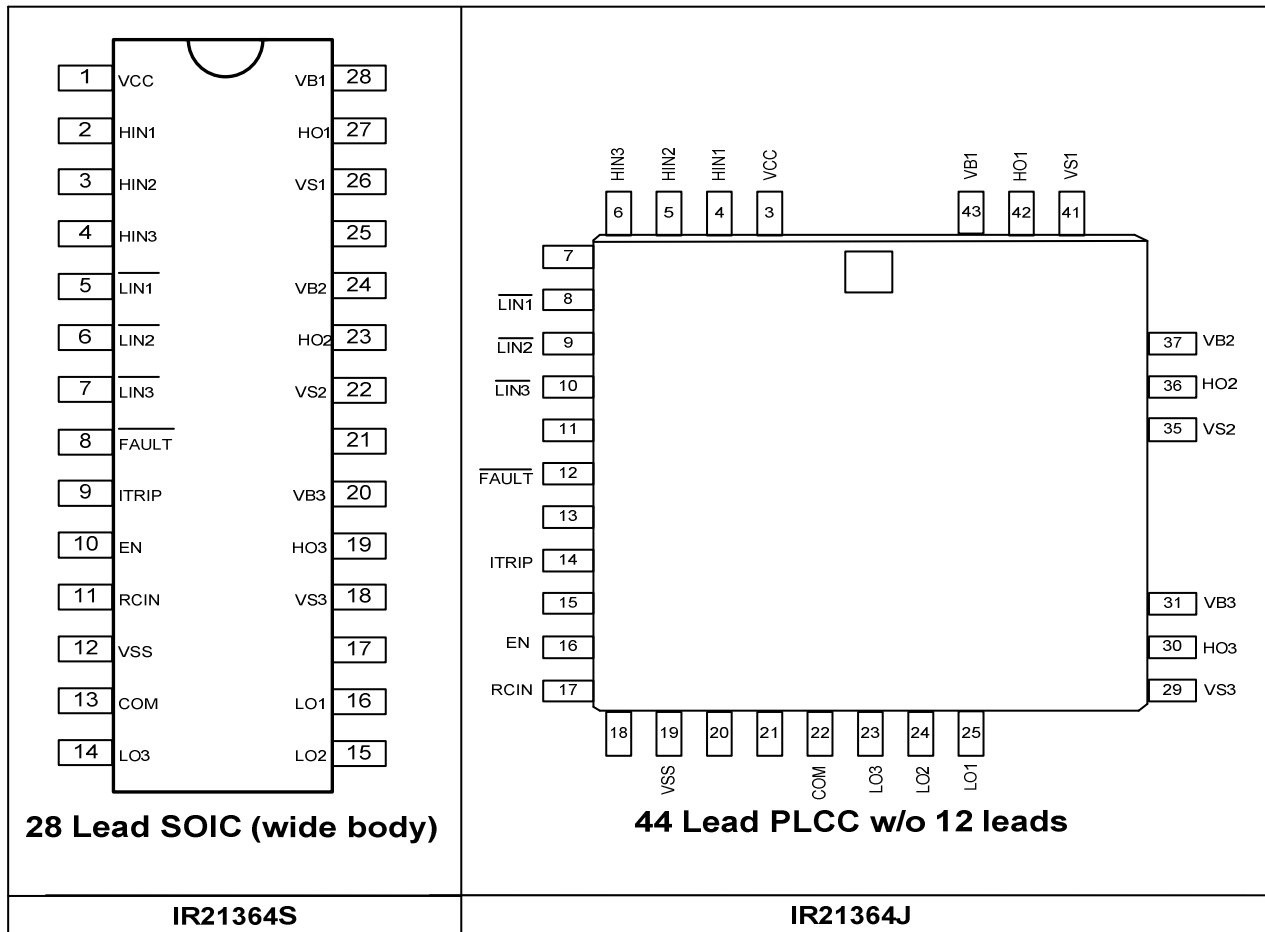
**Fig. 5. ITRIP/RCIN Timing Waveforms**



**Fig. 6. Input Filter Function**

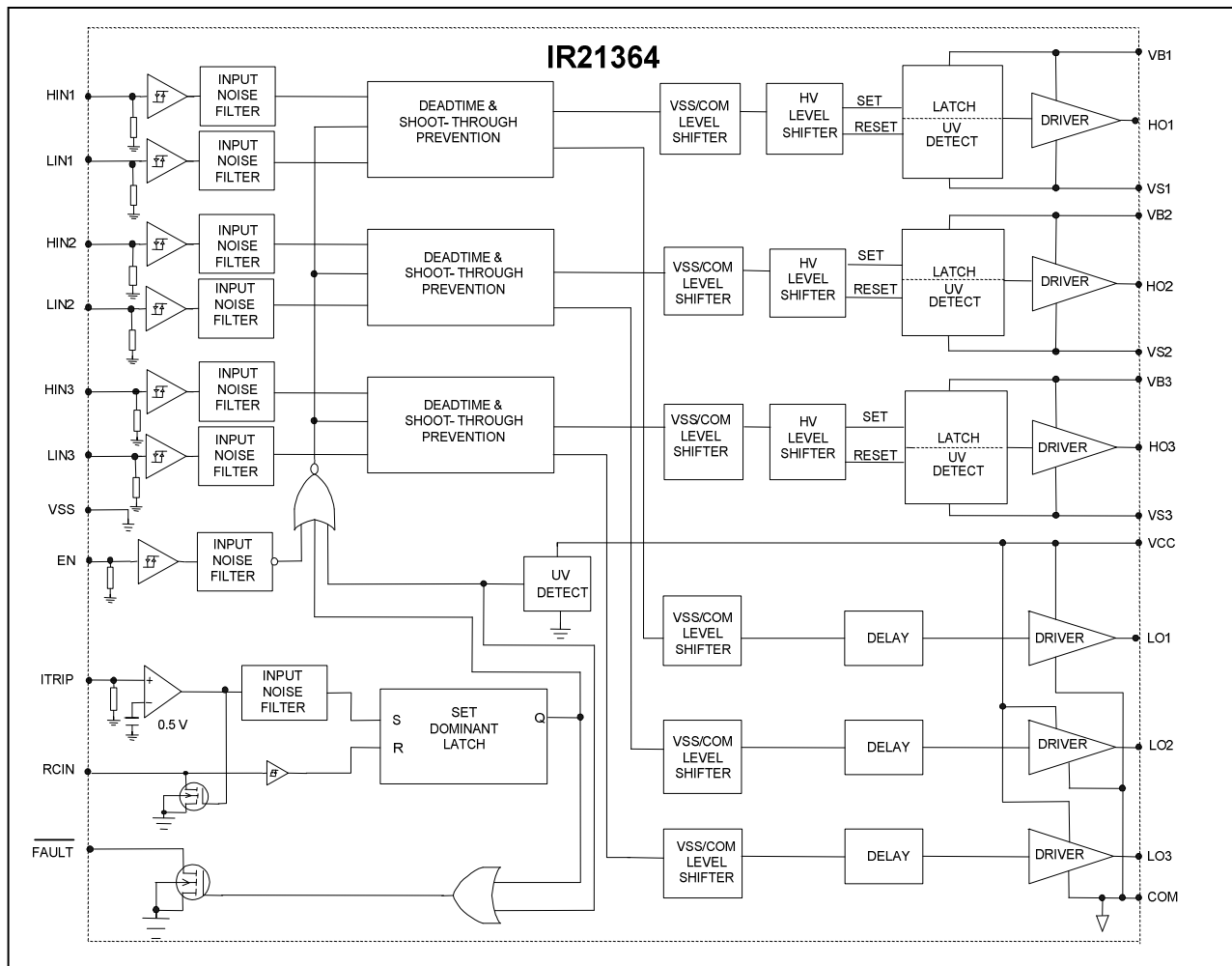
**Lead Definitions**

Symbol	Description
V <sub>CC</sub>	Low side supply voltage
V <sub>SS</sub>	Logic ground
HIN1,2,3	Logic inputs for high side gate driver outputs (HO1,2,3), in phase
LIN1,2,3	Logic input for low side gate driver outputs (LO1,2,3), in phase
FAULT	Indicates over-current (ITRIP) or low-side undervoltage lockout has occurred. Negative logic, open-drain output
EN	Logic input to enable I/O functionality. Positive logic, i.e. I/O logic functions When ENABLE is high. No effect on FAULT and not latched
ITRIP	Analog input for overcurrent shutdown. When active, ITRIP shuts down outputs and activates FAULT and RCIN low. When ITRIP becomes inactive, FAULT stays active low for an externally set time T <sub>FLTCLR</sub> , then automatically becomes inactive (open-drain high impedance).
RCIN	External RC network input used to define FAULT CLEAR delay, T <sub>FLTCLR</sub> , approximately equal to R*C. When RCIN > 8 V, the FAULT pin goes back into open-drain high-impedance
COM	Low side gate drivers return
V <sub>B1,2,3</sub>	High side floating supply
HO1,2,3	High side gate driver outputs
V <sub>S1,2,3</sub>	High voltage floating supply return
LO1,2,3	Low side gate driver outputs





Functional Block Diagram



VCC	VBS	ITRIP	ENABLE	FAULT	LO1,2,3	HO1,2,3
<math>U_{VCC}</math>	X	X	X	0 (note 1)	0	0
15 V	<math>U_{VBS}</math>	0 V	5 V	high imp	LIN1,2,3	0
15 V	15 V	0 V	5 V	high imp	LIN1,2,3	HIN1,2,3
15 V	15 V	>math>V_{ITRIP}</math>	5 V	0 (note 2)	0	0
15 V	15 V	0 V	0 V	high imp	0	0

**Note 1:** A shoot-through prevention logic prevents LO1,2,3 and HO1,2,3 for each channel from turning on simultaneously.

**Note 2:**  $U_{VCC}$  is not latched, when  $V_{CC} > U_{VCC}$ , FAULT return to high impedance.

**Note 3:** When  $ITRIP < V_{ITRIP}$ , FAULT returns to high-impedance after RCIN pin becomes greater than 8 V (@  $V_{CC} = 15$  V)

**Parameter Temperature Trends**

Figures 7-39 provide information on the experimental performance of the IR21364 HVIC. The line plotted in each figure is generated from actual lab data. A small number of individual samples were tested at three temperatures (-40 °C, 25 °C, and 125 °C) in order to generate the experimental (Exp.) curve. The line labeled Exp. consist of three data points (one data point at each of the tested temperatures) that have been connected together to illustrate the understood temperature trend. The individual data points on the curve were determined by calculating the averaged experimental value of the parameter (for a given temperature).

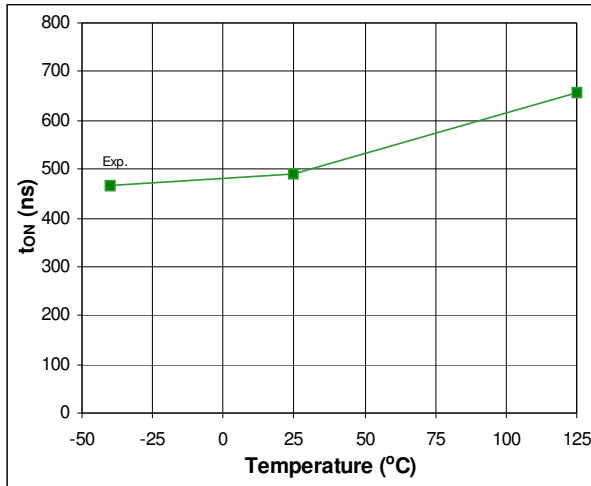


Fig. 7. (Ton\_Ls1 ) Turn-on Propagation Delay vs. Temperature

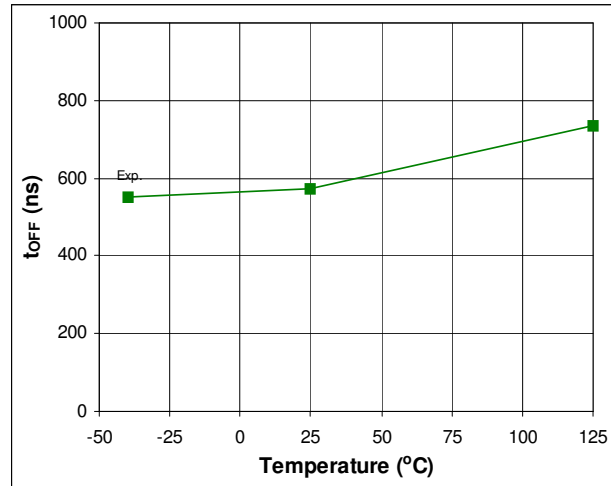


Fig. 8. (Toff\_Ls1) Turn-off Propagation Delay vs. Temperature

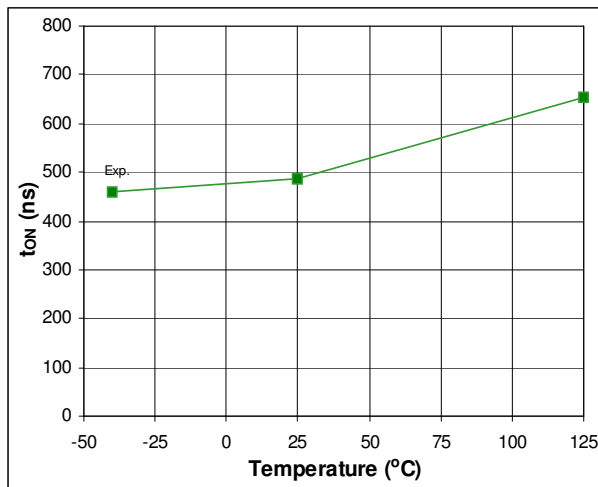


Fig. 9. (Ton\_Hs11) Turn-on Propagation Delay vs. Temperature

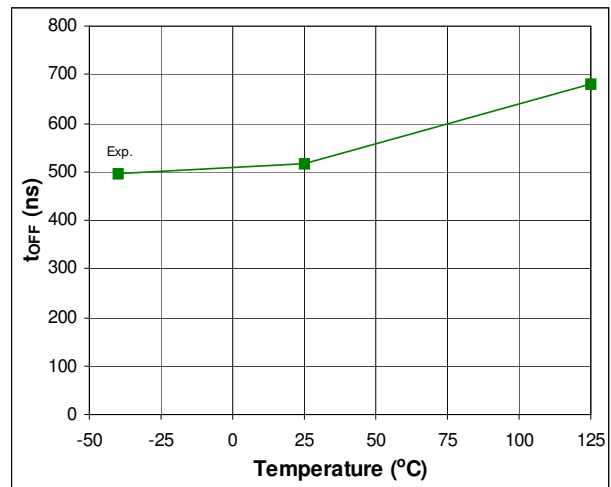


Fig. 10. (Toff\_Hs21) Turn-off Propagation Delay vs. Temperature

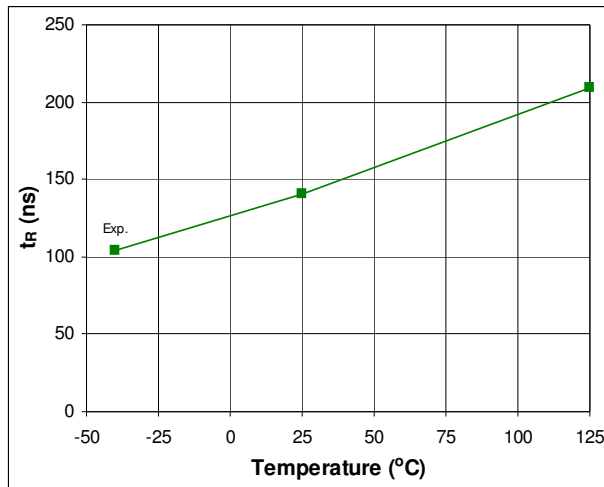


Fig. 11. Turn-on Rise Time vs. Temperature

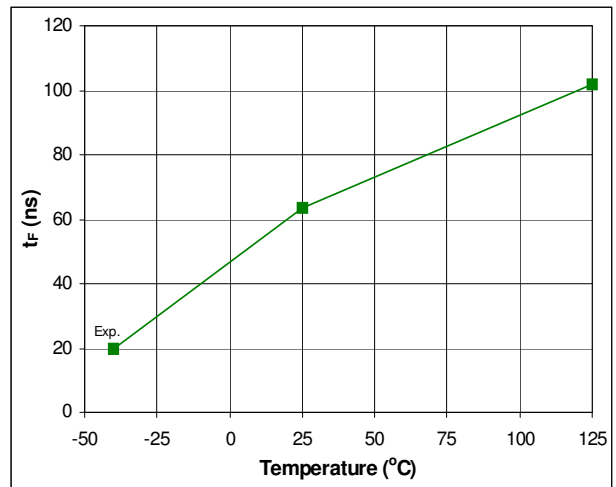


Fig. 12. Turn-off Fall Time vs. Temperature

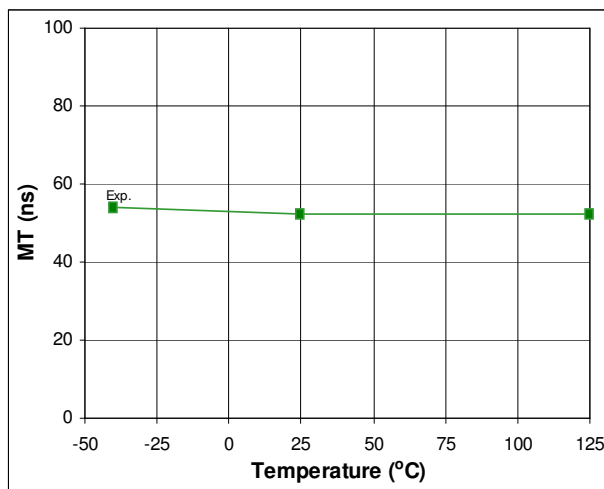


Fig. 13. Ton, off matching time vs. Temperature

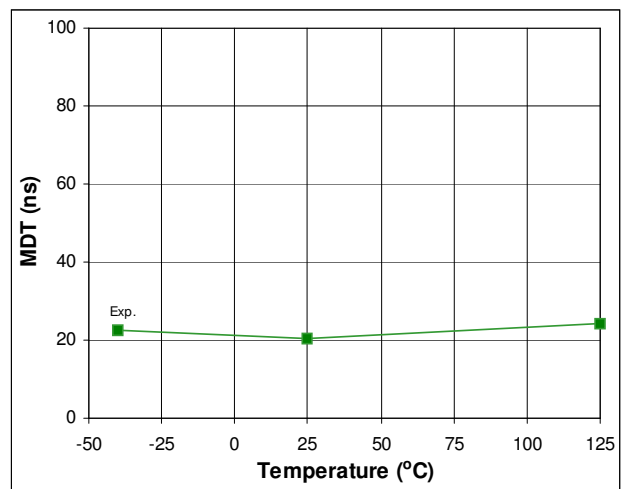


Fig. 14. DT matching time vs. Temperature

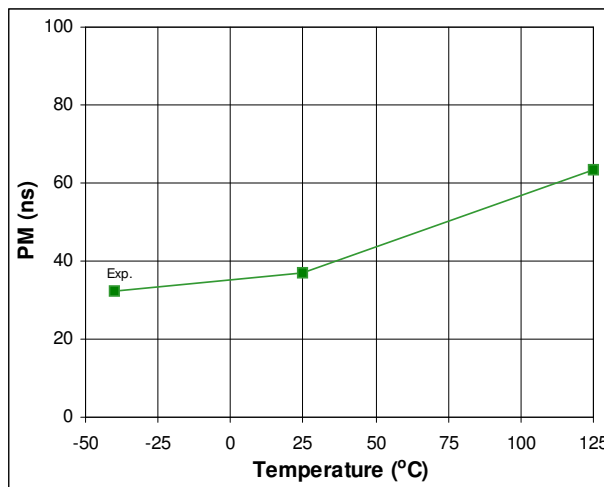


Fig. 15. Pulse Width Distortion vs. Temperature

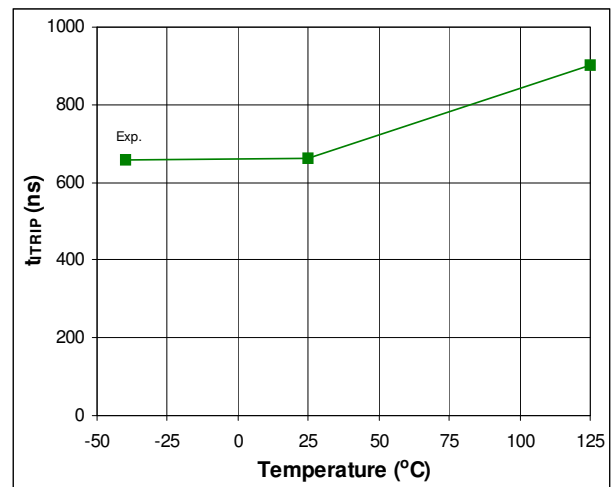


Fig. 16. ITRIP to Output Shutdown Propagation Delay vs. Temperature

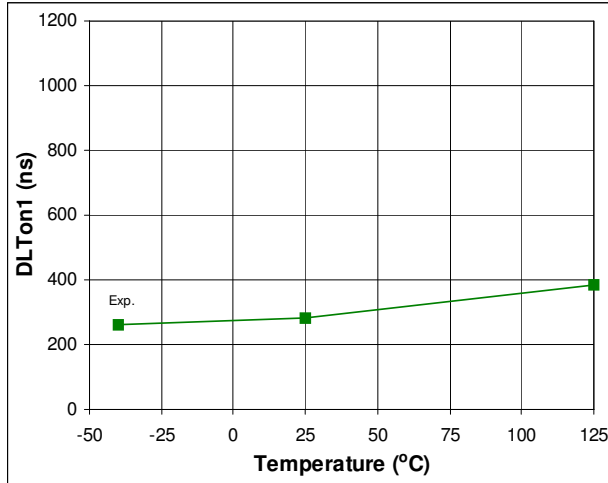


Fig. 17. Dead Time vs. Temperature

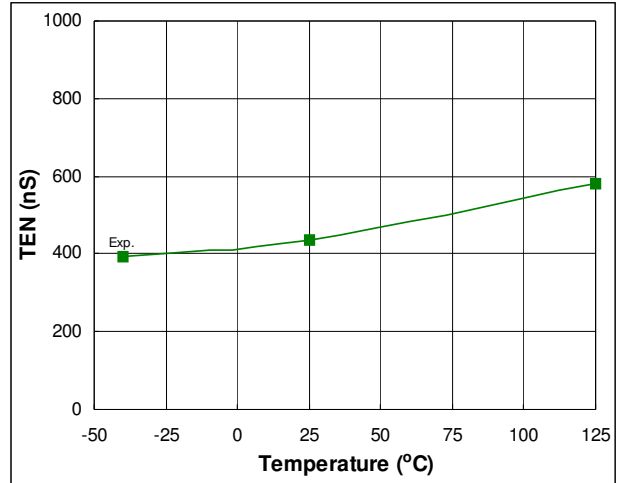


Figure 18. EN to Output Shutdown Time vs. Temperature

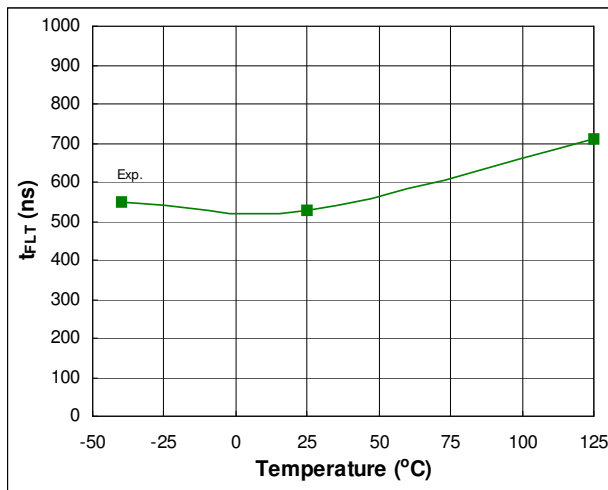


Fig. 19. ITRIP to FAULT Indication Delay vs. Temperature

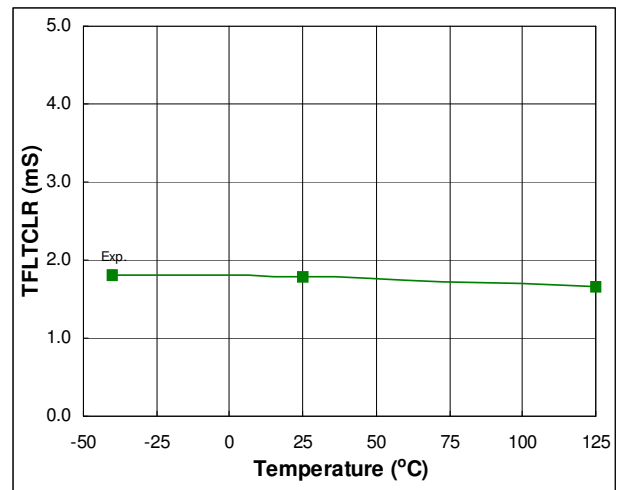


Fig. 20. FAULT Clear Time vs. Temperature

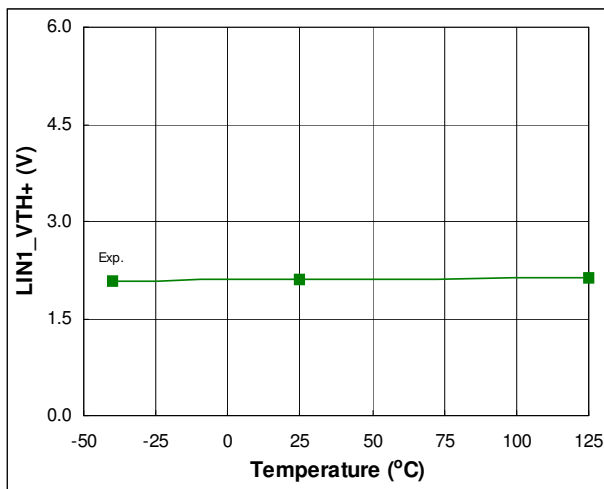


Fig. 21. Input Positive Going Threshold vs. Temperature

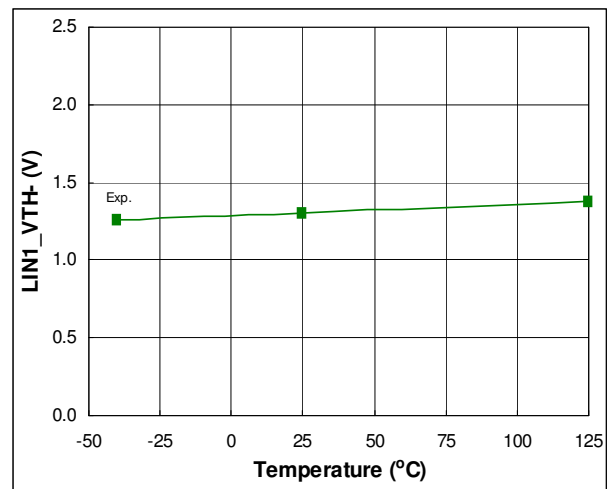


Fig. 22. Input Negative Going Threshold vs. Temperature

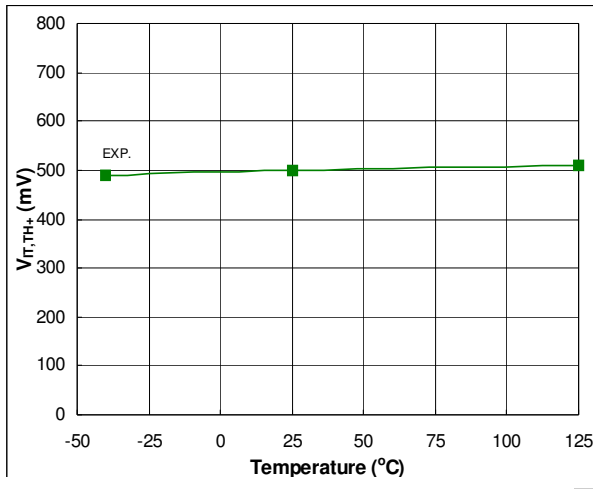


Fig. 23. ITRIP Input Positive Going Threshold vs. Temperature

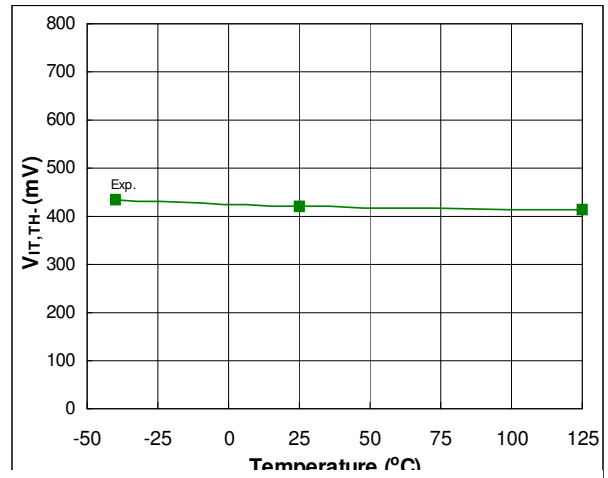


Fig. 24. ITRIP Input Negative Going Threshold vs. Temperature

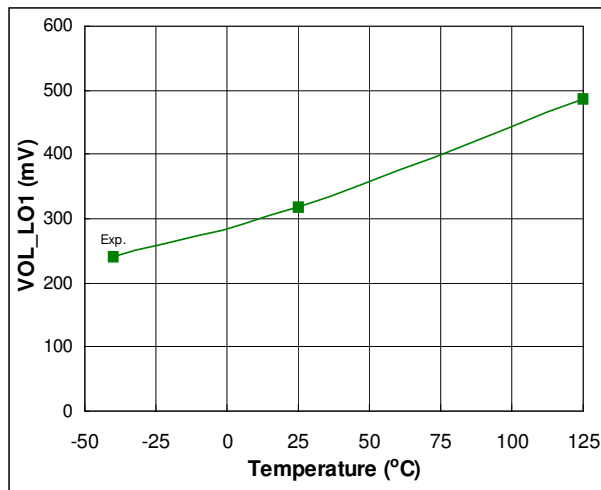


Fig. 25. Low Level Output Voltage vs. Temperature

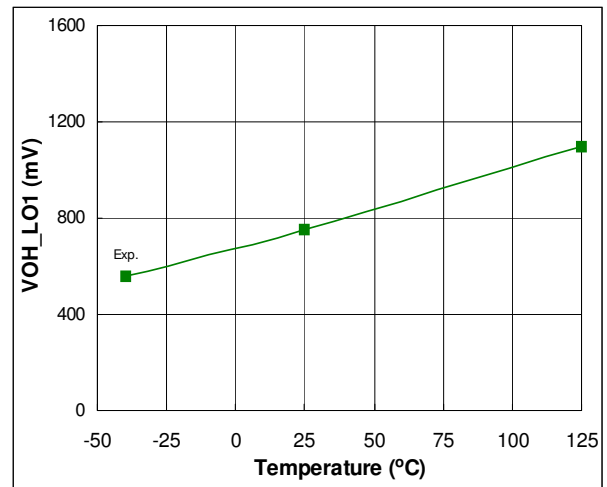


Fig. 26. High Level Output Voltage vs. Temperature

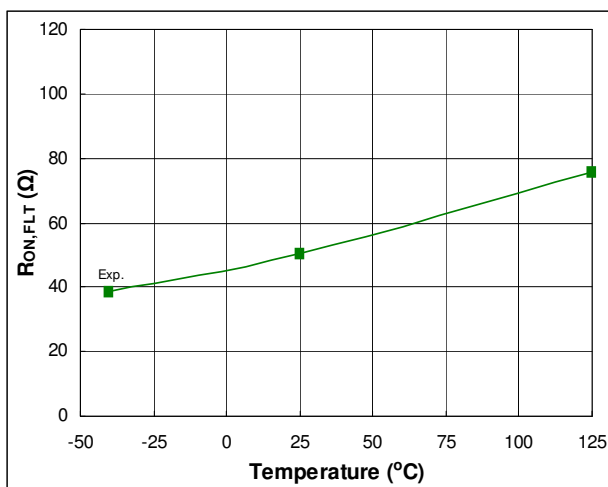


Fig. 27. FAULT Low On-Resistance vs. Temperature

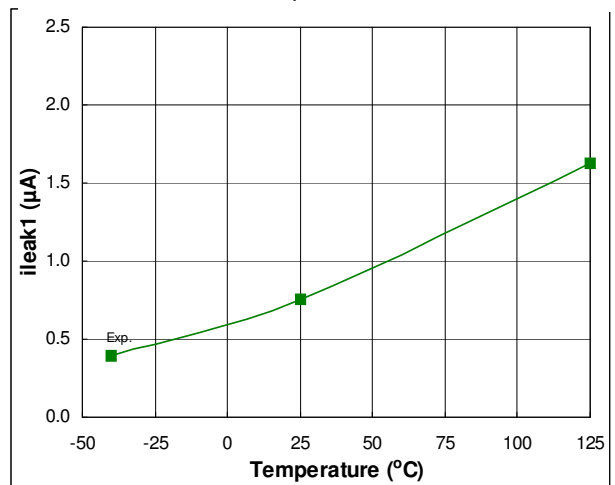


Fig. 28. Offset Supply Leakage Current vs. Temperature

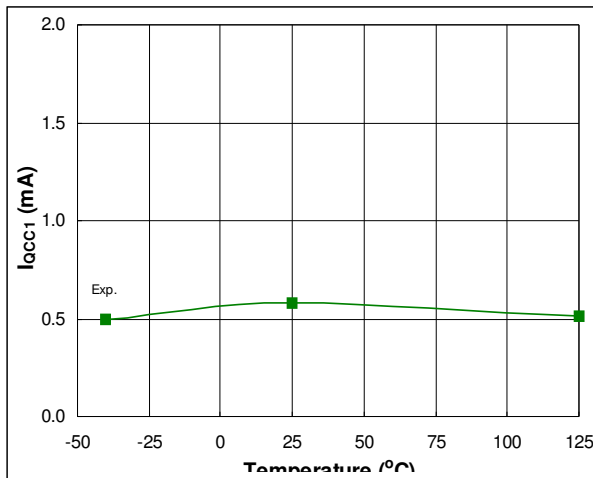


Fig. 29. Quiescent V<sub>CC</sub> Supply Current vs. Temperature

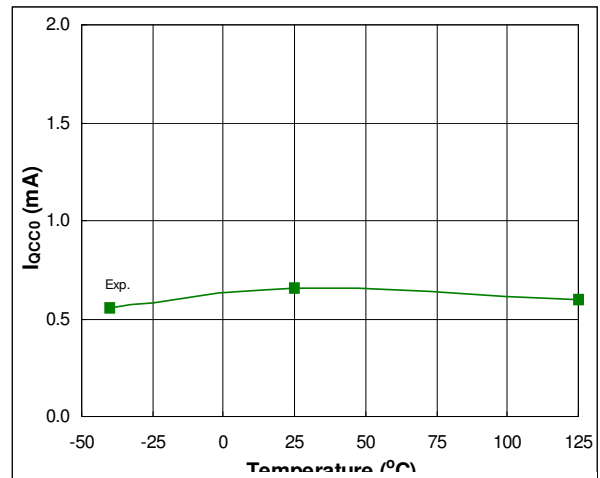


Fig. 30. Quiescent V<sub>CC</sub> Supply Current vs. Temperature

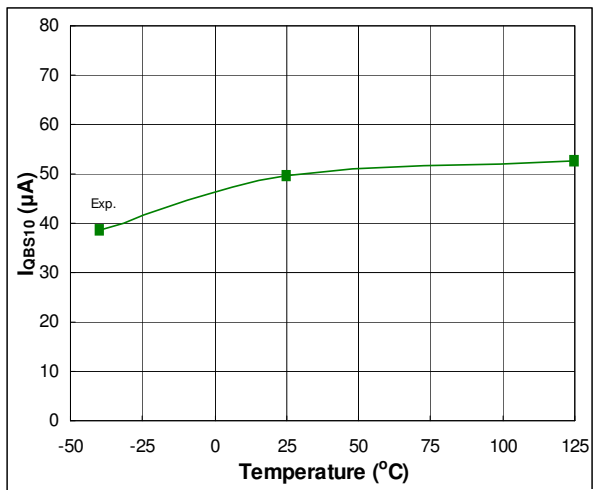


Fig. 31. Quiescent V<sub>BS</sub> Supply Current vs. Temperature

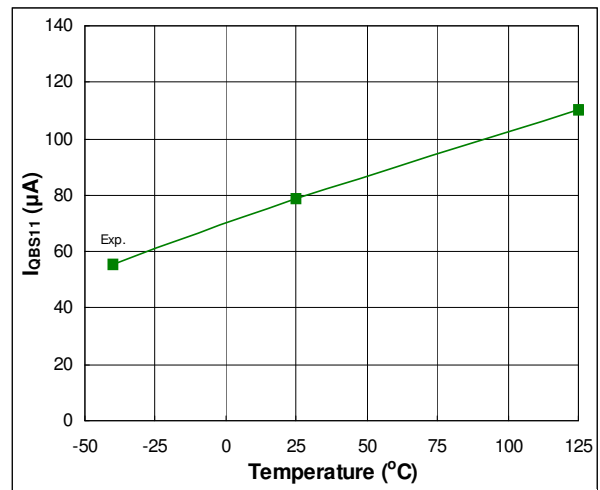


Fig. 32. Quiescent V<sub>BS</sub> Supply Current vs. Temperature

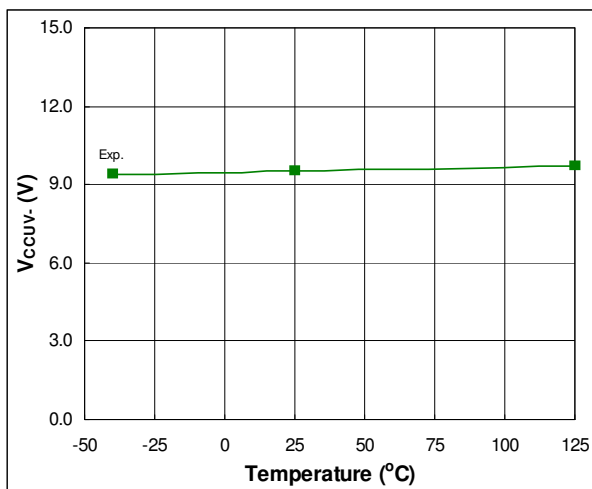


Fig. 33. V<sub>CC</sub> Supply Undervoltage Negative Going Threshold vs. Temperature

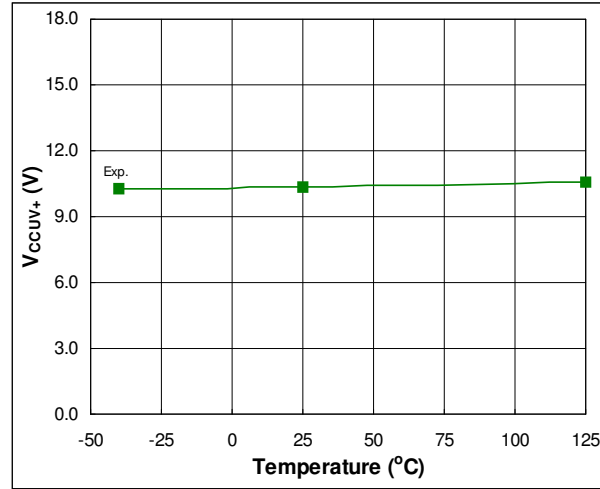


Fig. 34. V<sub>CC</sub> Supply Undervoltage Positive Going Threshold vs. Temperature

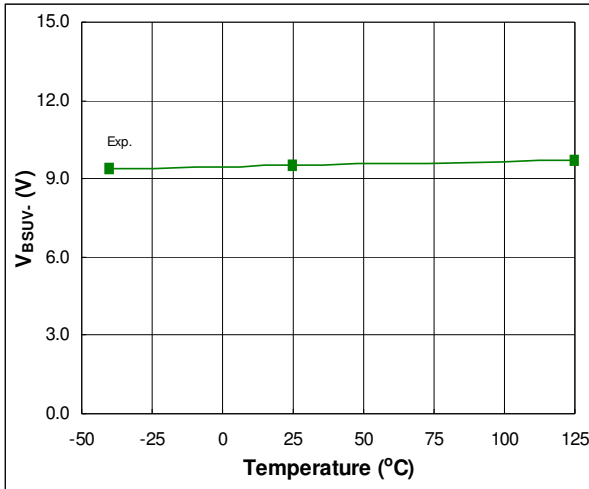


Fig. 35.  $V_{BS}$  Supply Undervoltage Negative Going Threshold vs. Temperature

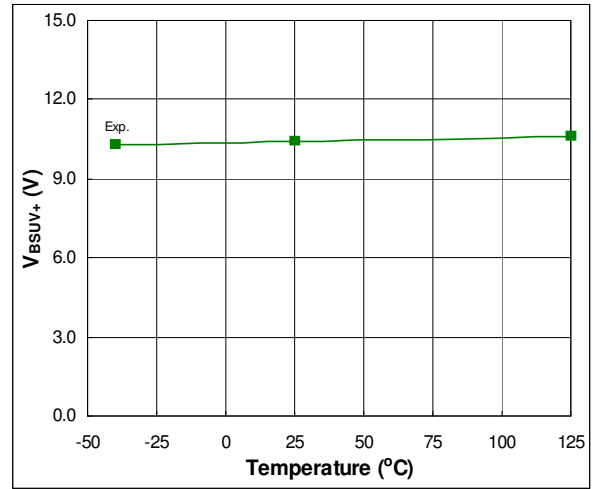


Fig. 36.  $V_{BS}$  Supply Undervoltage Positive Going Threshold vs. Temperature

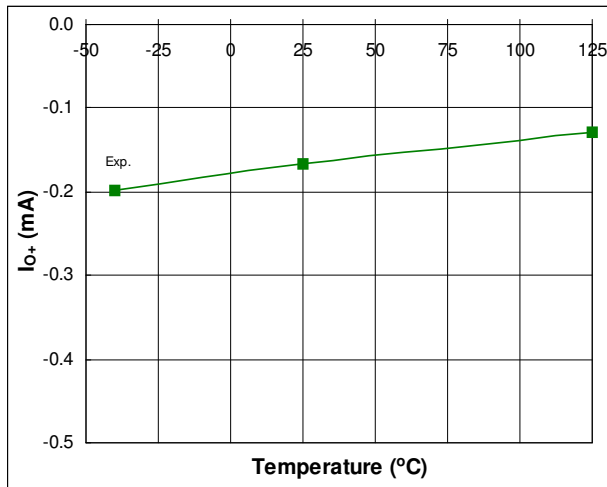


Fig. 37. Output High Short Circuit Pulsed Current vs. Temperature

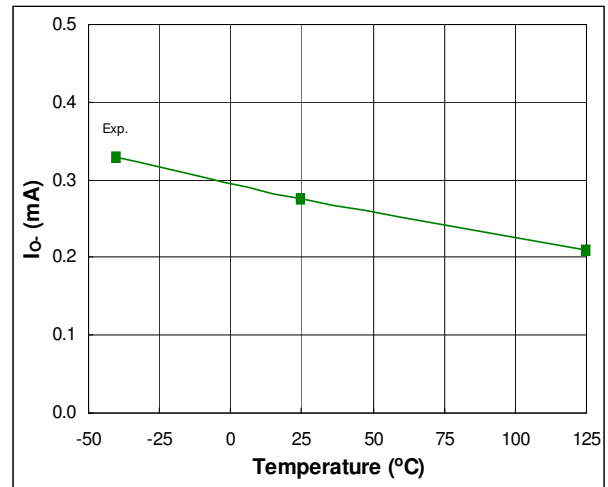


Fig. 38. Output Low Short Circuit Pulsed Current vs. Temperature

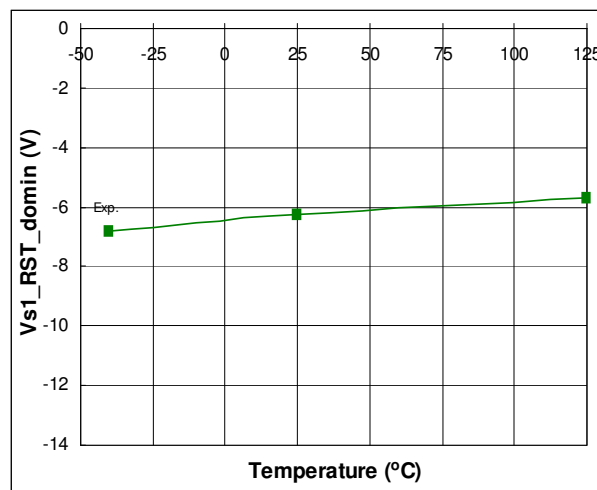
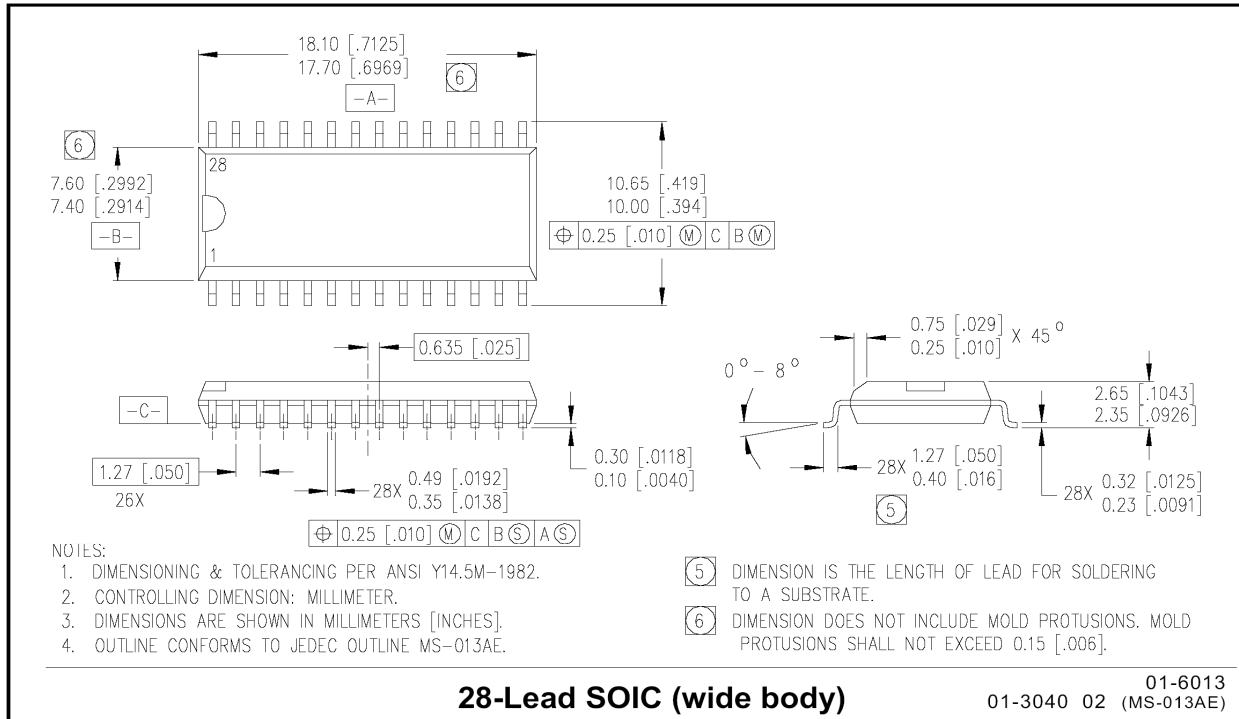
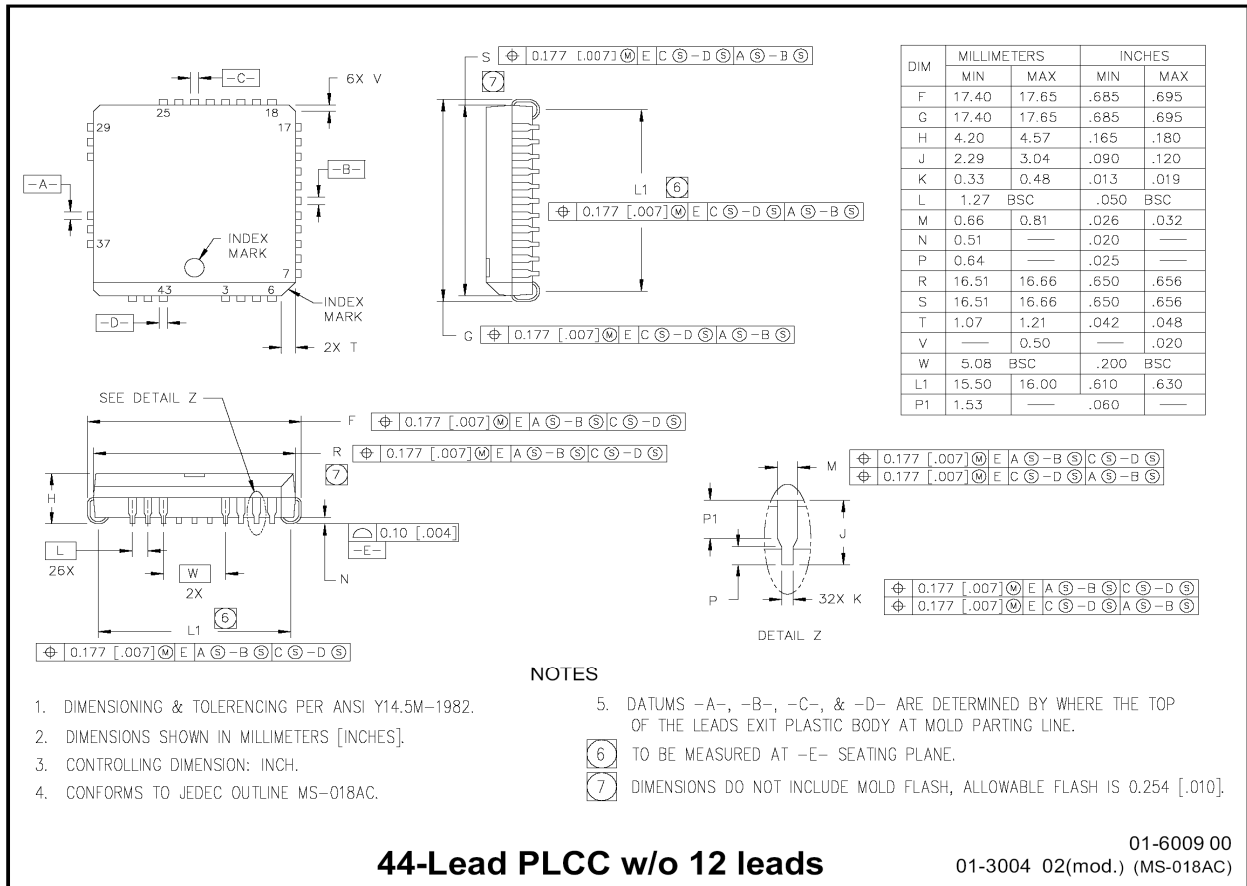


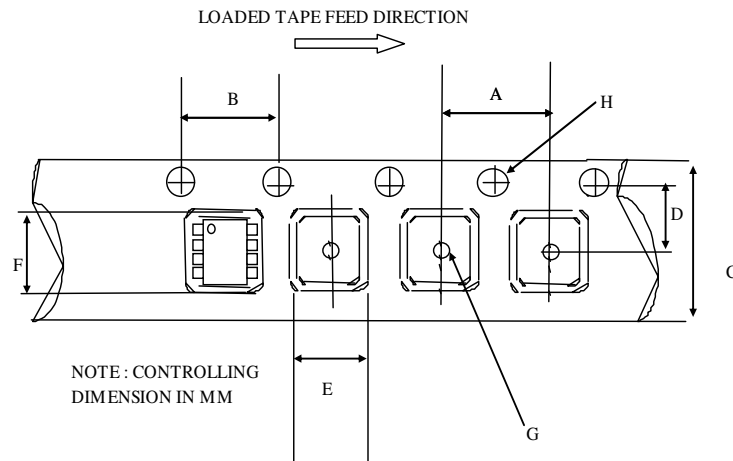
Fig. 39. Max -VS vs. Temperature

**Case Outlines**



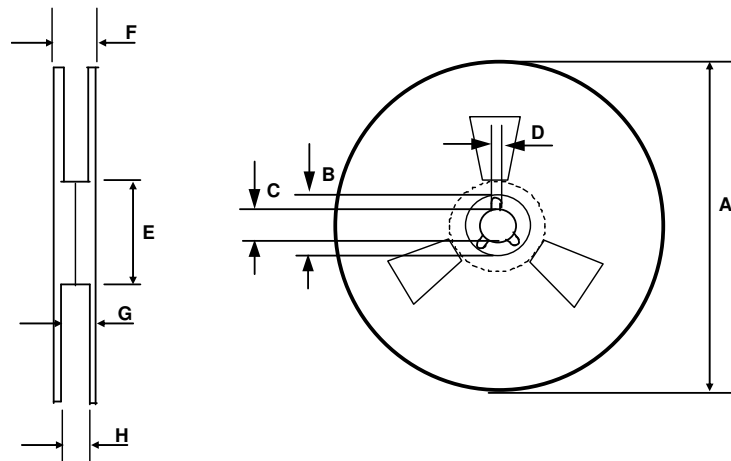






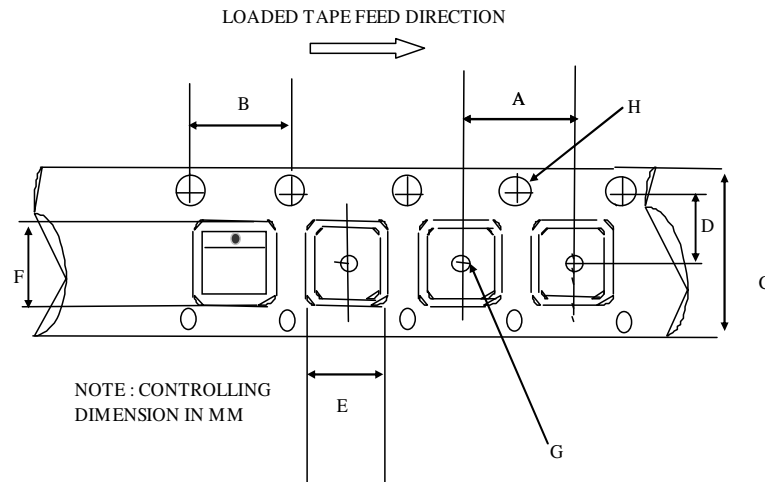
CARRIER TAPE DIMENSION FOR 28SOICW

Code	Metric		Imperial	
	Min	Max	Min	Max
A	11.90	12.10	0.468	0.476
B	3.90	4.10	0.153	0.161
C	23.70	24.30	0.933	0.956
D	11.40	11.60	0.448	0.456
E	10.80	11.00	0.425	0.433
F	18.20	18.40	0.716	0.724
G	1.50	n/a	0.059	n/a
H	1.50	1.60	0.059	0.062



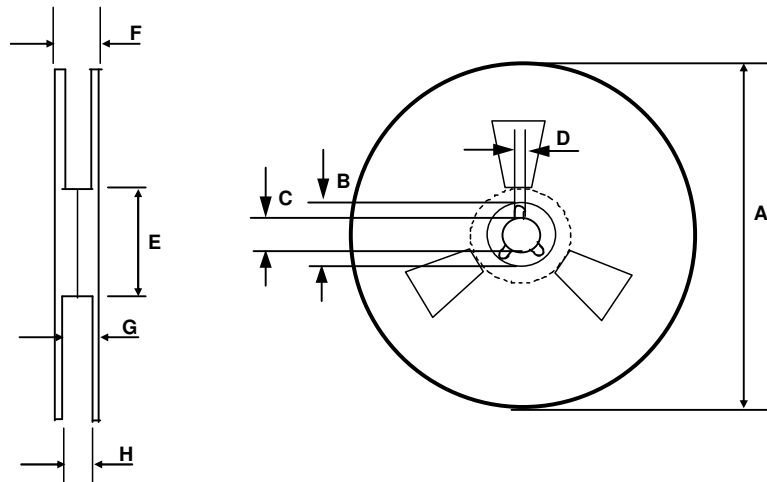
REEL DIMENSIONS FOR 28SOICW

Code	Metric		Imperial	
	Min	Max	Min	Max
A	329.60	330.25	12.976	13.001
B	20.95	21.45	0.824	0.844
C	12.80	13.20	0.503	0.519
D	1.95	2.45	0.767	0.096
E	98.00	102.00	3.858	4.015
F	n/a	30.40	n/a	1.196
G	26.50	29.10	1.04	1.145
H	24.40	26.40	0.96	1.039



CARRIER TAPE DIMENSION FOR 44PLCC

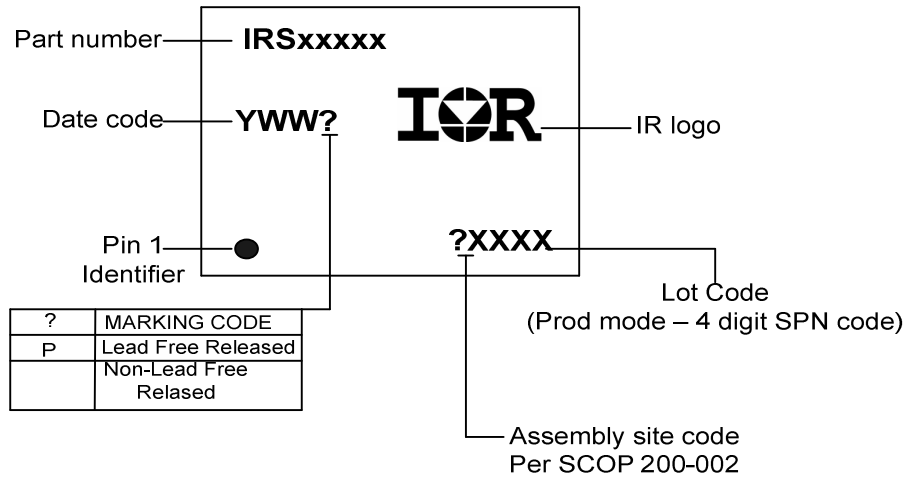
Code	Metric		Imperial	
	Min	Max	Min	Max
A	23.90	24.10	0.94	0.948
B	3.90	4.10	0.153	0.161
C	31.70	32.30	1.248	1.271
D	14.10	14.30	0.555	0.562
E	17.90	18.10	0.704	0.712
F	17.90	18.10	0.704	0.712
G	2.00	n/a	0.078	n/a
H	1.50	1.60	0.059	0.062



REEL DIMENSIONS FOR 44PLCC

Code	Metric		Imperial	
	Min	Max	Min	Max
A	329.60	330.25	12.976	13.001
B	20.95	21.45	0.824	0.844
C	12.80	13.20	0.503	0.519
D	1.95	2.45	0.767	0.096
E	98.00	102.00	3.858	4.015
F	n/a	38.4	n/a	1.511
G	34.7	35.8	1.366	1.409
H	32.6	33.1	1.283	1.303

**LEAD-FREE PART MARKING INFORMATION**



**ORDER INFORMATION**

28-Lead SOIC IR21364SPbF  
 44-Lead PLCC IR21364JPbF

28-Lead SOIC Tape & Reel IR21364STRPbF  
 44-Lead PLCC Tape & Reel IR21364JTRPbF

The information provided in this document is believed to be accurate and reliable. However, International Rectifier assumes no responsibility for the consequences of the use of this information. International Rectifier assumes no responsibility for any infringement of patents or of other rights of third parties which may result from the use of this information. No license is granted by implication or otherwise under any patent or patent rights of International Rectifier. The specifications mentioned in this document are subject to change without notice. This document supersedes and replaces all information previously supplied.

For technical support, please contact IR's Technical Assistance Center  
<http://www.irf.com/technical-info/>

**WORLD HEADQUARTERS:**  
 233 Kansas St., El Segundo, California 90245  
 Tel: (310) 252-7105

# AMEYA360

## Components Supply Platform

Authorized Distribution Brand :



Website :

Welcome to visit [www.ameya360.com](http://www.ameya360.com)

Contact Us :

➤ Address :

401 Building No.5, JiuGe Business Center, Lane 2301, Yishan Rd  
Minhang District, Shanghai , China

➤ Sales :

Direct +86 (21) 6401-6692

Email [amall@ameya360.com](mailto:amall@ameya360.com)

QQ 800077892

Skype [ameyasales1](#) [ameyasales2](#)

➤ Customer Service :

Email [service@ameya360.com](mailto:service@ameya360.com)

➤ Partnership :

Tel +86 (21) 64016692-8333

Email [mkt@ameya360.com](mailto:mkt@ameya360.com)