

Mixers Double Balanced

Applications

- Wideband Down Converters
- Wideband Up Converters
- Balanced Modulators
- Bi-Phase Modulators
- Phase Detectors

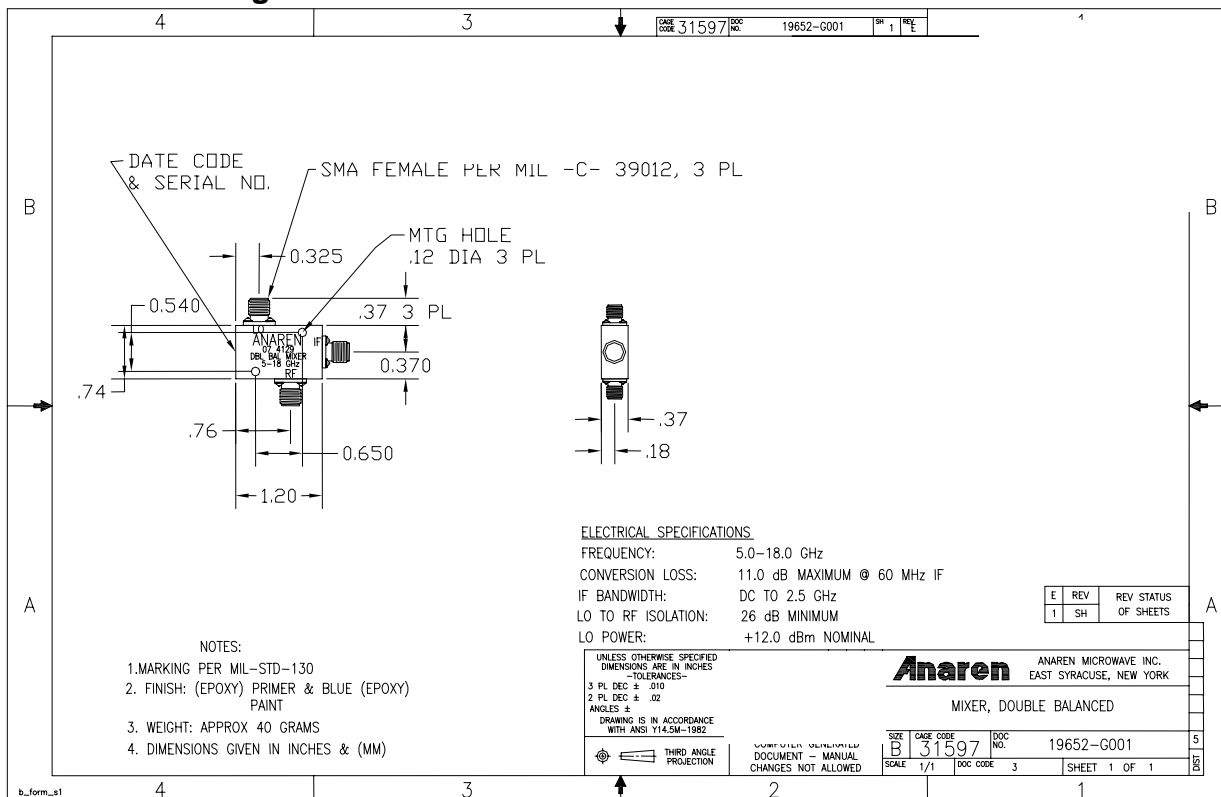
Features

- Extremely Wide IF Bandwidth
- 5.0 – 18.0 GHz
- Excellent LO/RF Isolation
- Multi-Octave Performance
- Good Intercept Point
- Miniature Size
- Connectors Per MIL-C-39012
- Meets MIL-E-5400 Class 3 Requirements



NOTES: Input power with load VSWR of 1.20:1
Electrical and Mechanical Specifications subject to change without notice

Outline Drawing



AMEYA360

Components Supply Platform

Authorized Distribution Brand :



Website :

Welcome to visit www.ameya360.com

Contact Us :

➤ Address :

401 Building No.5, JiuGe Business Center, Lane 2301, Yishan Rd
Minhang District, Shanghai , China

➤ Sales :

Direct +86 (21) 6401-6692

Email amall@ameya360.com

QQ 800077892

Skype [ameyasales1](#) [ameyasales2](#)

➤ Customer Service :

Email service@ameya360.com

➤ Partnership :

Tel +86 (21) 64016692-8333

Email mkt@ameya360.com