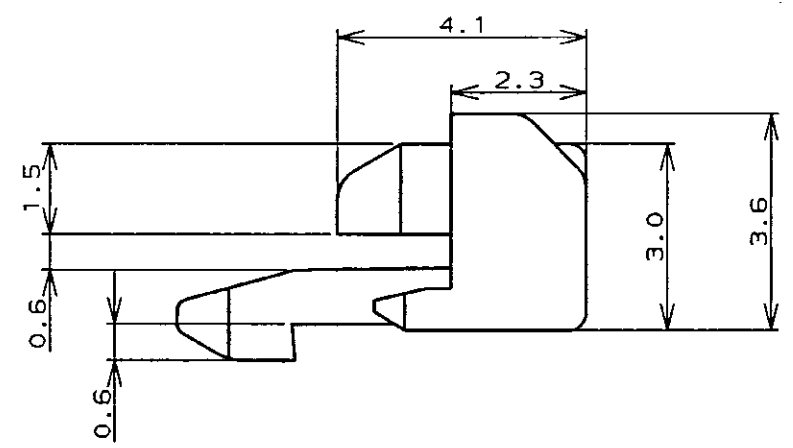
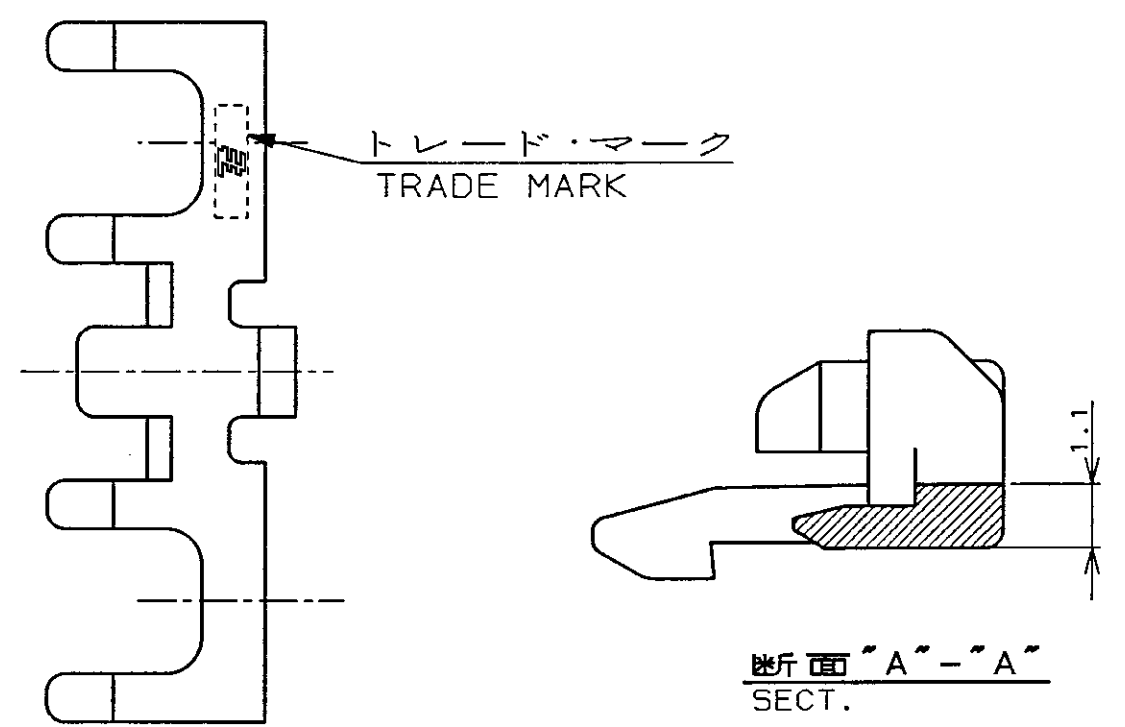
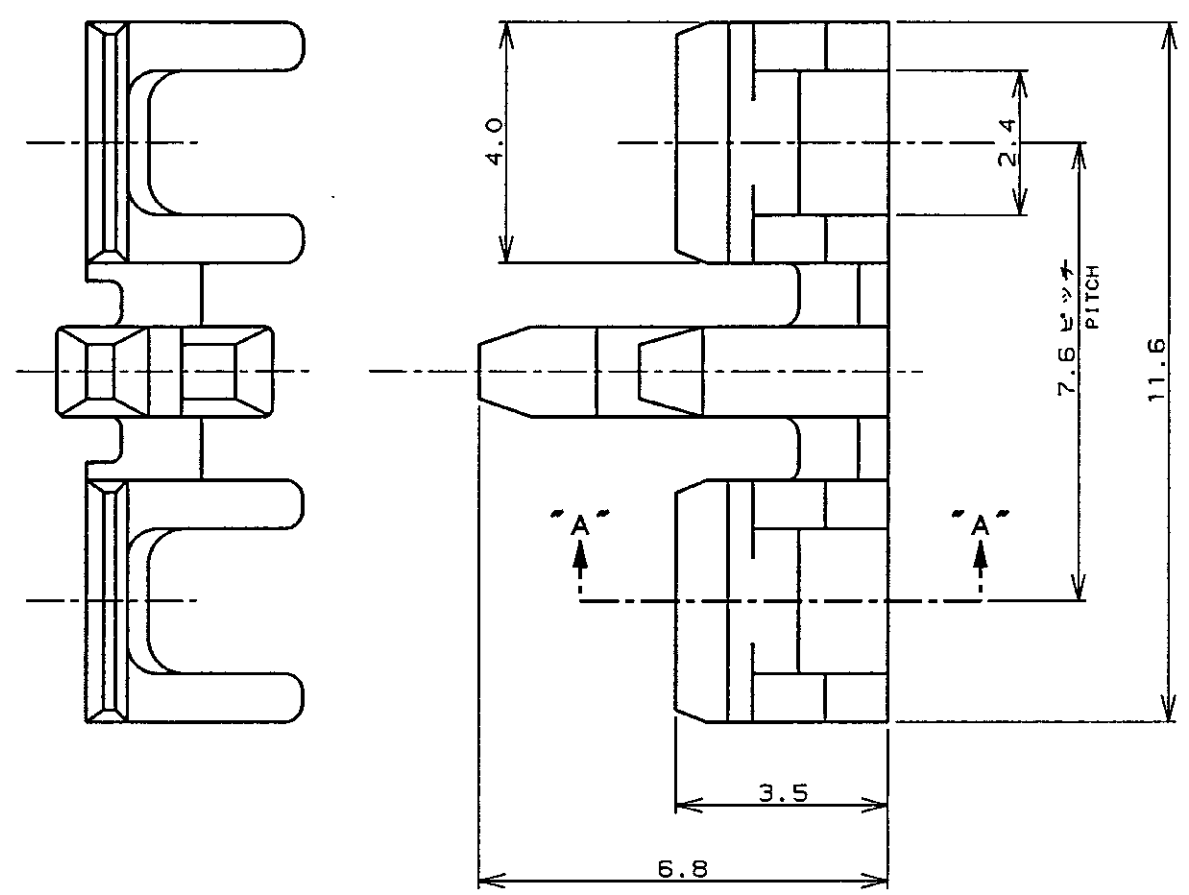


LOC		DIST		REVISIONS			DATE	DWN	APVD
P	LTR	DESCRIPTION							
		B	REVISED PER ECR-10-022737			12NOV10	HMR	TM	



THIS DRAWING IS A CONTROLLED DOCUMENT FOR AMP INCORPORATED. IT IS SUBJECT TO CHANGE AND THE CONTROLLING ENGINEERING ORGANIZATION SHOULD BE CONTACTED FOR THE LATEST REVISION.		OWN	M. SUZUKI	23. AUG. '96
DIMENSIONS: 単位・規 mm		CHK	Y. KASHIWA	23. AUG. '96
TOLERANCES UNLESS OTHERWISE SPECIFIED 一般公差 10μ ±0.2 30μ ±0.25 100μ ±0.3 ANGLE ±0.3°		APVD	H. TAGUCHI	26. AUG. '96
MATERIAL 材料 6/6ナイロン ガラス強化 6/6 NYLON GF (UL94V-0)		PRODUCT SPEC	108-5530	
FINISH 仕上		APPLICATION SPEC	114-5229	
		WEIGHT	---	
		CUSTOMER DRAWING		
		Tyco Electronics		日本エー・エム・ジー株式会社 Kawasaki, Japan
		110 シリーズ ポジティブ ロック EX-III ダブル ロック プレート 2極 110 SERIES POSITIVE LOCK EX-III LOCK PLATE 2Pos		
		SIZE	A3	
		CAGE CODE	00779	
		DRAWING NO	C-353254	
		SCALE	1:8	
		SHEET	1	OF 1
		REV	B	

自然色 (NATURAL)	353254-1
色調 (COLOR)	型番 (P/N)

## Authorized Distribution Brand :



## Website :

Welcome to visit [www.ameya360.com](http://www.ameya360.com)

## Contact Us :

### ➤ Address :

401 Building No.5, JiuGe Business Center, Lane 2301, Yishan Rd  
Minhang District, Shanghai , China

### ➤ Sales :

Direct +86 (21) 6401-6692

Email [amall@ameya360.com](mailto:amall@ameya360.com)

QQ 800077892

Skype ameyasales1 ameyasales2

### ➤ Customer Service :

Email [service@ameya360.com](mailto:service@ameya360.com)

### ➤ Partnership :

Tel +86 (21) 64016692-8333

Email [mkt@ameya360.com](mailto:mkt@ameya360.com)