

7580-A\*\*\*

7580-B\*\*\*

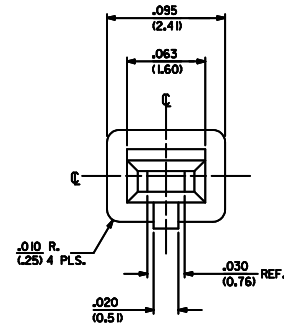
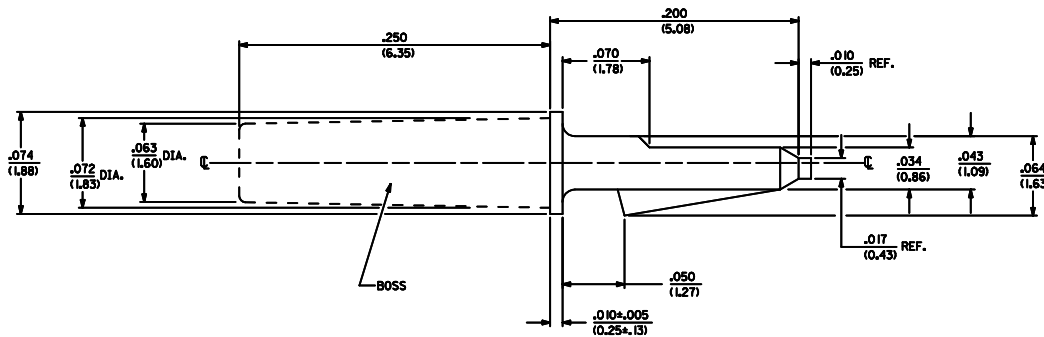
89-00-3001	7580-A1L	NOT TOOLED	7580-B1B
89-00-3002	7580-A2L	I5-04-9224	7580-B1B-BU
NOT TOOLED	7580-A2A	I5-04-0288	7580-B1C
		I5-04-9222	7580-B1C-BU

7580-\*\*\*

VERSION: \_\_\_\_\_ COLOR: \_\_\_\_\_  
 BLANK=NATURAL  
 BU=BLUE

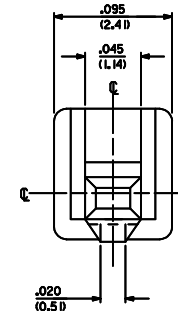
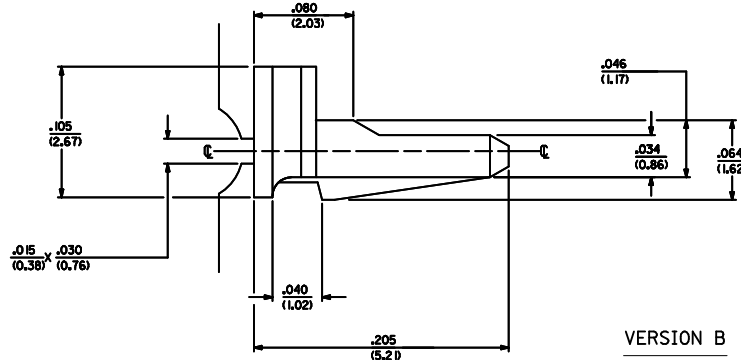
BOSS OPTIONS: \_\_\_\_\_ FORM OF SHIPMENT: \_\_\_\_\_  
 1-WITHOUT BOSS A=RUNNER TYPE 1  
 2-WITH BOSS B=RUNNER TYPE 2  
 C=RUNNER TYPE 3  
 L=LOOSE

NOTES:  
 1. MATERIAL: NYLON, TYPE 6/6, UL94V-2. COLOR: SEE LEGEND  
 2. FINISH: N/A  
 3. THIS PART CONFORMS TO CLASS B REQUIREMENTS OF COSMETIC SPECIFICATION PS-45499-002.



VERSION A

USES RUNNER TYPE 1 ONLY AND AVAILABLE WITH OR WITHOUT BOSS (FITS CONNECTOR HOUSING 6442)



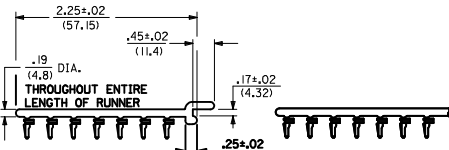
VERSION B

USES RUNNER TYPES 2 & 3 ONLY AND HAS NO BOSS (USED WITH CONNECTORS: 7793, 7935)

CHAIN FORM



TYPE 1 (10 TOTAL)



TYPE 2 (7 TOTAL)

TYPE 3 (7 TOTAL)

PARTS MUST BE ORIENTED ON RUNNER AS SHOWN ABOVE

REMOVE TYPE 4 IEC NO. UCP2012-3918 DRAWN BY: DRW:MMSTROH 2012/06/01 CHECKED BY: CHY:KH/KIPPER 2012/06/01 APPROVED BY: APPR:FS/MTH 2012/06/07 N1	QUALITY SYMBOLS	GENERAL TOLERANCES (UNLESS SPECIFIED)	DIMENSION STYLE	SCALE	DESIGN UNITS	THIRD ANGLE PROJECTION
	▽=0	mm INCH	IN/MM	20:1	INCH	☉
	▽=0	4 PLACES ± --- ± ---	DRAWN BY: COMSTOCK DATE: 1989/03/01	CHECKED BY: DATE: 1989/03/01	TITLE: POLARIZING KEY, PEG .156 SPACING FOR 6442, 7793, 7935	molex
	▽=0	2 PLACES ± 0.25 ± 0.14	1 PLACE ± 0.36 ± ---	0 PLACE ± ±	APPROVED BY: DATE:	
	ANGULAR ±1/2°	DRAFT WHERE APPLICABLE MUST REMAIN WITHIN DIMENSIONS	MATERIAL NO. SEE CHART	DOCUMENT NO. SD-7580-*	SHEET NO. 1 OF 1	

# AMEYA360

## Components Supply Platform

Authorized Distribution Brand :



Website :

Welcome to visit [www.ameya360.com](http://www.ameya360.com)

Contact Us :

➤ Address :

401 Building No.5, JiuGe Business Center, Lane 2301, Yishan Rd  
Minhang District, Shanghai , China

➤ Sales :

Direct +86 (21) 6401-6692

Email [amall@ameya360.com](mailto:amall@ameya360.com)

QQ 800077892

Skype [ameyasales1](#) [ameyasales2](#)

➤ Customer Service :

Email [service@ameya360.com](mailto:service@ameya360.com)

➤ Partnership :

Tel +86 (21) 64016692-8333

Email [mkt@ameya360.com](mailto:mkt@ameya360.com)